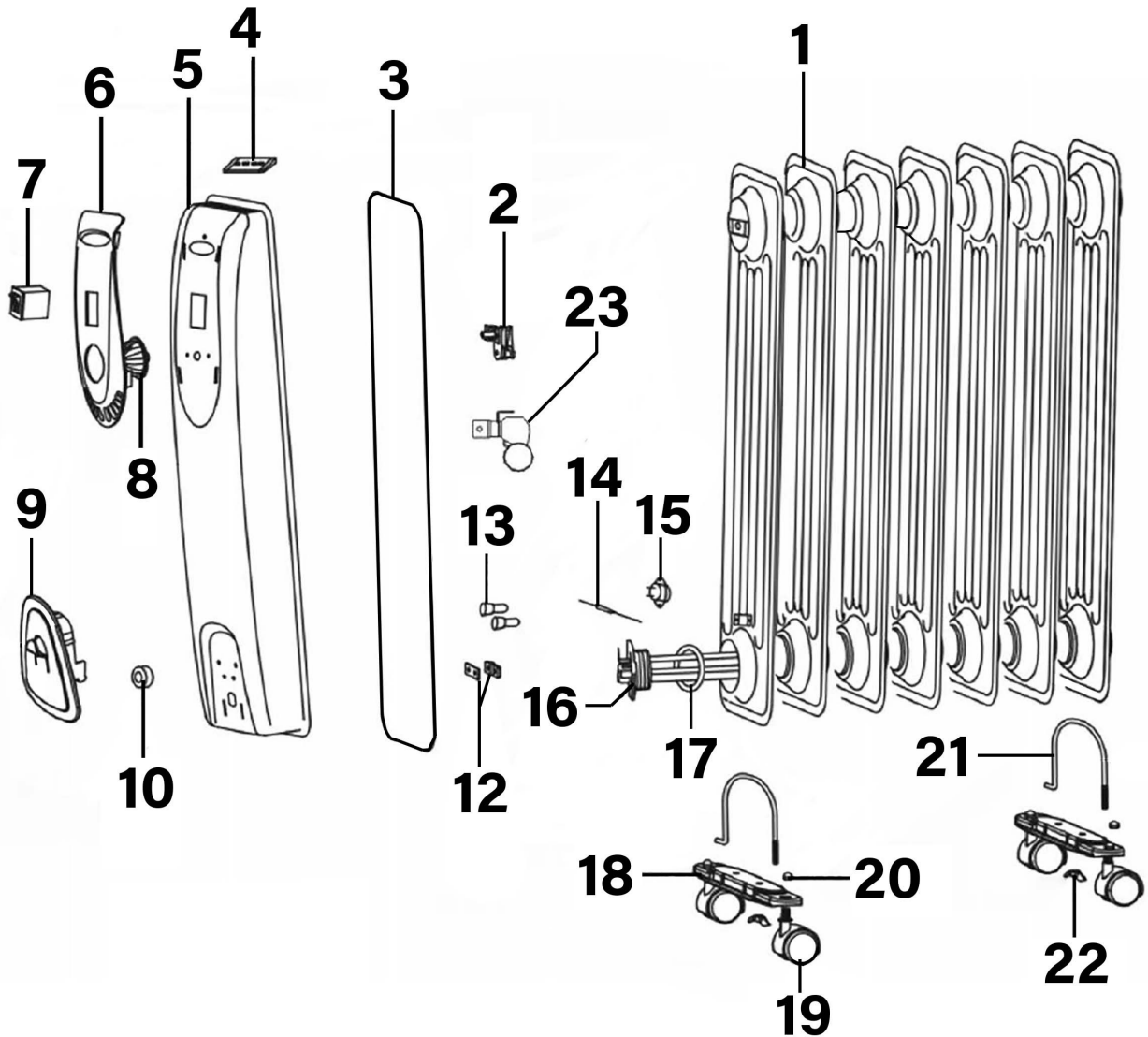


Parts Information:  
**Oil Filled Radiator 2500W/230V 11  
 Element**  
**Model No: RD2500.V6**



Item	Part No.	Description
1	RD2500.V6-01	Body (11 Elements)
2	RD1500.V6-02	Thermostat 250v 16a
3	RD1500.V6-03	Seal
4	RD1500.V6-04	Warning Board
5	RD1500.V6-05	Front Cover
6	RD1500.V6-06	Plastic Panel
7	RD1500.V6-07	Switch, Twin Power Rocker, Black, (16A-250V)
8	RD1500.V6-08	Knob, Grey Plastic, Domed, OD: 43mm, 6mm Semicircular Female
9	RD1500.V6-09	Cord Storage
11	RD1500.V6-10	Bushing
12	RD1500.V6-12	Press Cord Board
13	RD1500.V6-13	Cap

Item	Part No.	Description
14	RD1500.V6-14	Thermal Fuse 250v 15a 6.3x0.3
15	RD1500.V6-15	Safety Thermostat 110deg 250v 16a
16	RD2500.V6-16	Heating Element (2500w)
17	RD1500.V6-17	Washer
18	RD1500.V6-18	Wheel Plate
19	RD1500.V6-19	Wheel, Fixed Castor, Single Bolt (D:38 W:26 H:52)
20	SN8.SD	Steel Nut M8 Domed Zinc
21	RD1500.V6-21	U-Bolt
22	SN5.SW	Wing Nut M5 Zinc
23	RD1500.V6-23	Tilt Switch, c/w Pressure Rod Housing (16A-250V)

**NOTE:** It is our policy to continually improve products and as such we reserve the right to alter data, specifications and component parts without prior notice. There may be alternative versions of this product, please contact us should you require this information.

**IMPORTANT:** No liability is accepted for incorrect use of product. Spare parts must be fitted by a competent person

**WARRANTY:** Guarantee is 12 months from purchase date, proof of which will be required for any claim.