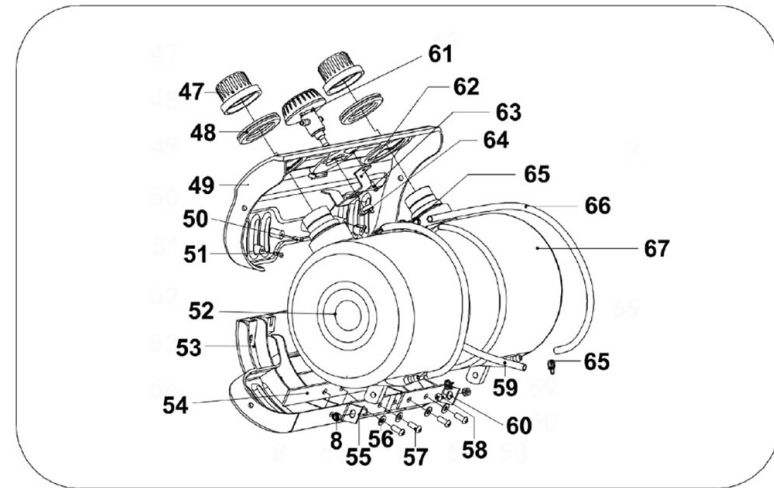
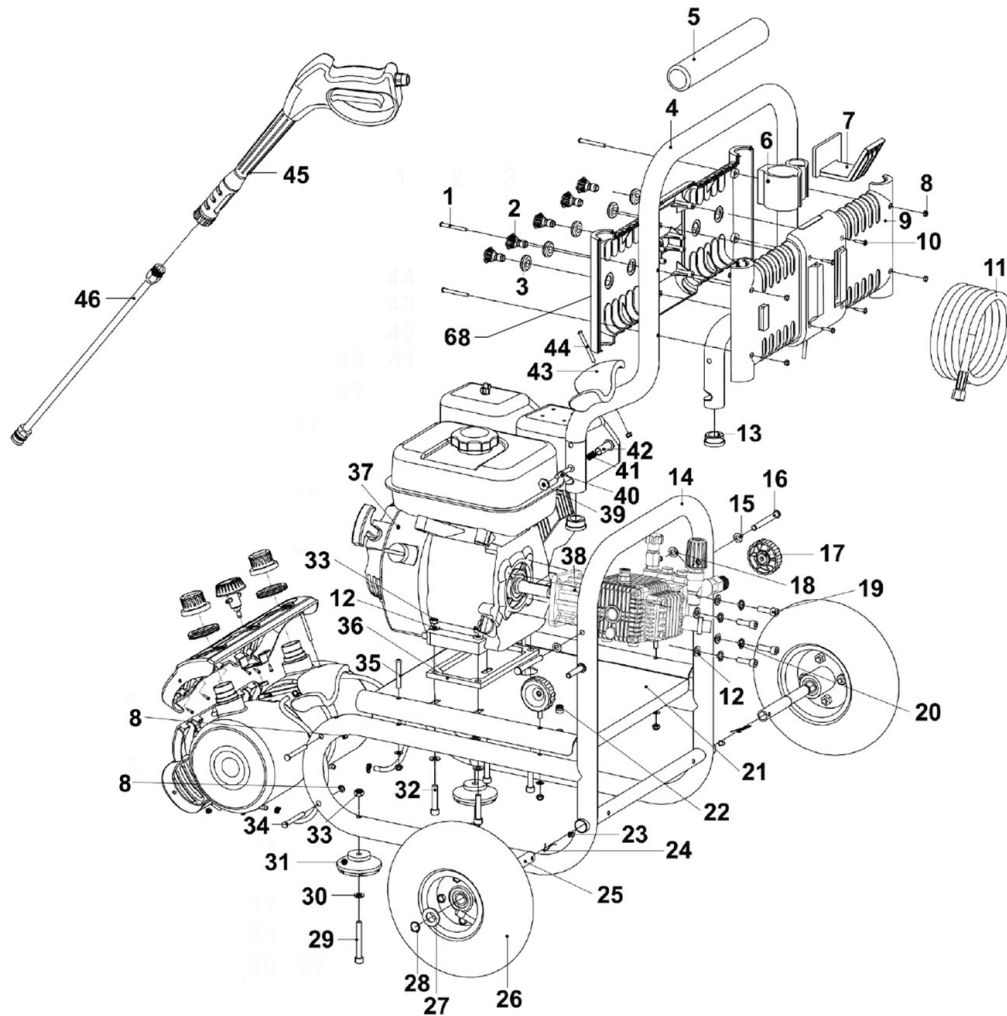




Parts Information:
Pressure Washer 220bar 540L/hr Self-Priming 6.5hp Petrol
Model No: PWM2500SP.V2



NOTE: It is our policy to continually improve products and as such we reserve the right to alter data, specifications and component parts without prior notice.

There may be alternative versions of this product, please contact us should you require this information.

IMPORTANT: No liability is accepted for incorrect use of product. Spare parts must be fitted by a competent person

WARRANTY: Guarantee is 12 months from purchase date, proof of which will be required for any claim.

Sealey Group, Kempson Way, Suffolk Business Park, Bury St Edmunds, Suffolk. IP32 7AR



01284 757500



sales@sealey.co.uk



www.sealey.co.uk



Parts Information:
Pressure Washer 220bar 540L/hr Self-Priming 6.5hp Petrol
Model No: PWM2500SP.V2

Item	Part No.	Description	Qty
1	PWDM3600.01	Screw (M5x42)	4
2	PWM2500SP.V2-F02B	Nozzle (Black)	1
2	PWM2500SP.V2-F02G	Nozzle (Green)	1
2	PWM2500SP.V2-F02R	Nozzle (Red)	1
2	PWM2500SP.V2-F02W	Nozzle (White)	1
2	PWM2500SP.V2-F02Y	Nozzle (Yellow)	1
3	PWM2500SP.V2-F03	Nozzle Gasket	5
4	PWM2500SP.V2-F04	Upper Frame	1
5	PWM2500SP.V2-F05	Upper Frame Foam	1
6	PWM2500SP.V2-F06	Gun Holder	1
7	PWM2500SP.V2-F07	Hose Hook	1
8	SN5.S	Steel Nut M5 Zinc	12
9	PWM2500SP.V2-F09	Back Panel	1
10	MSP422.SB	Machine Screw Pan Head Phillips Black M4 x 22	4
11	PWM2500SP.V2-F11	High Pressure Hose	1
13	PWM2500SP.V2-F13	End Cap	2
14	PWM2500SP.V2-F14	Frame Base	1
15	PWM2500SP.V2-F15	Frame Spindle Washer	4
16	PWM2500SP.V2-F16	Frame Spindle	2
17	PWM2500SP.V2-F17	Knob Assembly	2
18	SWM8.SB	Spring Washer M8 Black	2
19	SCB825.SB	Socket Cap Bolt M8 x 25 Black	4
20	SWM8.SB	Spring Washer M8 Black	4
21	PWM2500SP.V2-F21	Base	1
22	PWM2500SP.V2-F22	Wire Cover	2
23	PWM2500SP.V2-F23	Circlip	2
24	PWM2500SP.V2-F24	R-Pin	2
25	PWM2500SP.V2-F25	Wheel Shaft	2
26	PWM2500SP.V2-F26	Pneumatic Wheel 10"	2
27	FWM16.S	Flat Washer M16 Zinc	2
28	SWM16.S	Spring Washer M16 Zinc	2
29	PWM2500SP.V2-F29	Machine Screw Pan Head Phillips M8x45	2
30	FWM8.S	Flat Washer M8 Zinc	2
31	PWM2500SP.V2-F31	Rubber Foot	2
32	PWM2500SP.V2-F32	Machine Screw Pan Head Phillips M8x45	4
33	NLN8.S	Nyloc Nut M8 Zinc	10
34	MSP540.S	Machine Screw Pan Head Phillips M5x40mm	4

Item	Part No.	Description	Qty
35	PWM2500SP.V2-F35	Machine Screw Pan Head Phillips M6x45	4
36	PWM2500SP.V2-F36	Rubber Seal	1
37	PWM2500SP.V2-F37	Engine	1
38	PWM2500SP.V2-F38	Crank Pump	1
39	PWM2500SP.V2-F39	Outside Limit	1
40	PWM2500SP.V2-F40	Limit Pin	1
41	PWM2500SP.V2-F41	Spring	1
42	PWM2500SP.V2-F42	Internal Limit Pin	1
43	PWM2500SP.V2-F43	Gun Holster	2
44	MSP550.SB	Machine Screw Pan Head Phillips M5x50mm	2
45	PWM2500SP.V2-F45	High Pressure Gun	1
46	PWM2500SP.V2-F46	High Pressure Lance	1
47	PWM2500SP.V2-F47	Detergent Bottle Cap	2
48	PWM2500SP.V2-F48	Detergent Bottle Gasket	2
49	PWM2500SP.V2-F49	Detergent Bottle Upper Gasket	1
50	PWM2500SP.V2-F50	Rd Head S/T Screw M4x16	3
51	PWM2500SP.V2-F51	Rd Head S/T Screw M4x10	2
52	PWM2500SP.V2-F52	Detergent Tank (Right Side)	1
53	PWM2500SP.V2-F53	Detergent Bottle Lower Panel	1
54	PWM2500SP.V2-F54	Detergent Bottle Fized Plate (Long)	1
55	PWM2500SP.V2-F55	Detergent Bottle Fixed Plate (Right)	1
56	FWM5.S	Flat Washer M5 Zinc	4
57	MSP516.S	Machine Screw Pan Head Phillips M5 x 16	4
58	MSP516.S	Machine Screw Pan Head Phillips M5 x 16	2
59	PWM2500SP.V2-F59	Injection Hose (Long)	1
60	PWM2500SP.V2-F60	Detergent Bottle Fixed Plate (Left)	1
61	PWM2500SP.V2-F61	Detergent Bottle Switch	1
62	PWM2500SP.V2-F62	Switch Fixing Plate	1
63	MSP48.SB	Machine Screw Pan Head Phillips M4x8mm	1
64	PWM2500SP.V2-F64	Detergent Bottle Switch Nut	1
65	PWM2500SP.V2-F65	Detergent Bottle Switch Circlip	5
66	PWM2500SP.V2-F66	Injection Hose (Short)	2
67	PWM2500SP.V2-F67	Detergent Tank (Left Side)	1
--	PWM2500SP.V2-68	Front Panel (Not Shown)	1

NOTE: It is our policy to continually improve products and as such we reserve the right to alter data, specifications and component parts without prior notice. There may be alternative versions of this product, please contact us should you require this information.

IMPORTANT: No liability is accepted for incorrect use of product. Spare parts must be fitted by a competent person

WARRANTY: Guarantee is 12 months from purchase date, proof of which will be required for any claim.

Sealey Group, Kempson Way, Suffolk Business Park, Bury St Edmunds, Suffolk. IP32 7AR



01284 757500

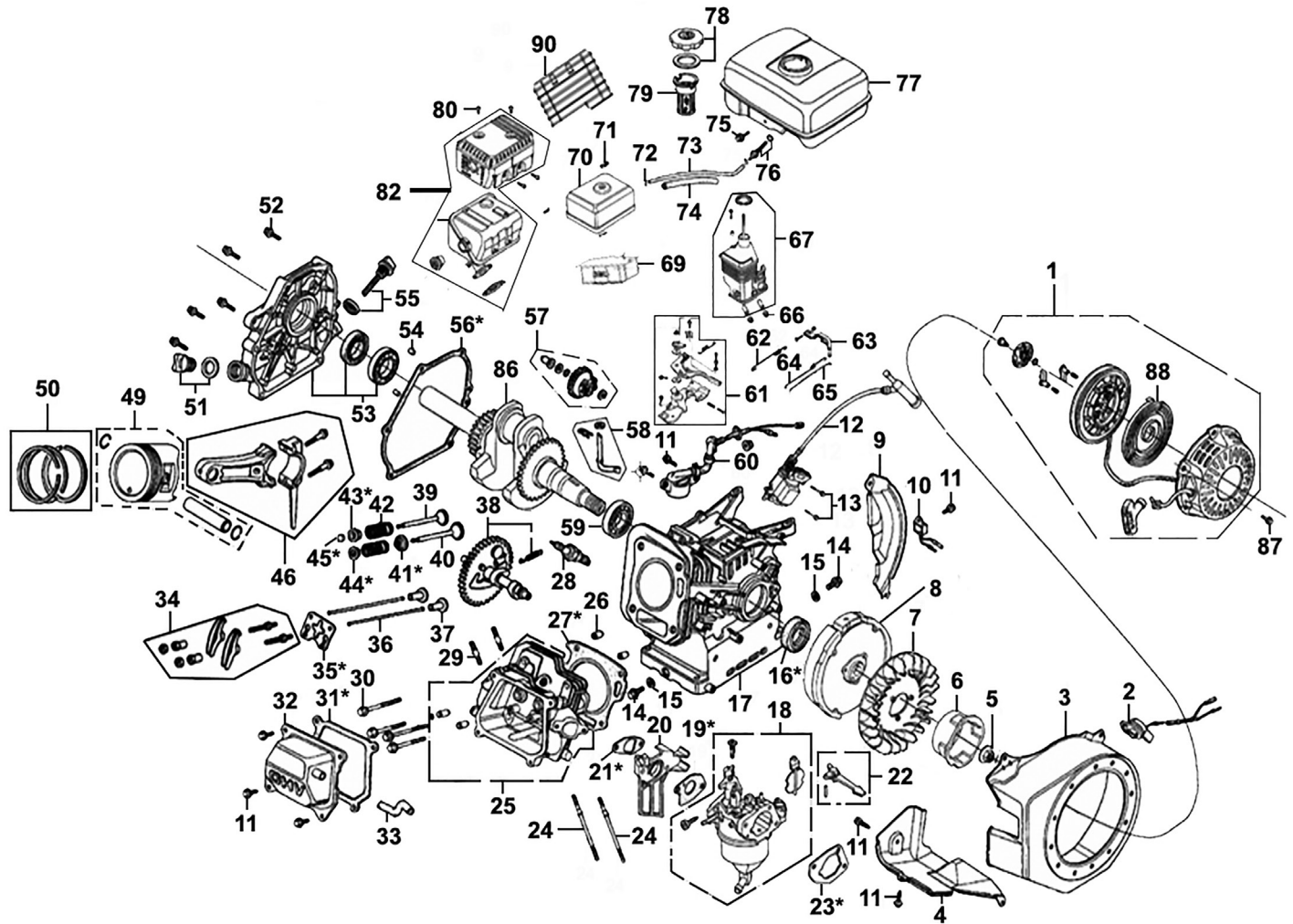


sales@sealey.co.uk



www.sealey.co.uk

Parts Information:
Pressure Washer 220bar 540L/hr Self-Priming 6.5hp Petrol
Model No: PWM2500SP.V2



Item	Part No.	Description	Qty
1	PWM2500SPV2-E01	Recoil Starter Complete	1
2	PWM2500SPV2-E02	On/Off Rotary Engine Switch. c/w Wires	1
3	PWM2500SPV2-E03	Fan Cover Complete	1
4	PWM2500SPV2-E04	Shroud Complete	1
5	SN14.S	Steel Nut M14 Zinc	1
6	PWM2500SPV2-E06	Starter Pulley	1
7	PWM2500SPV2-E07	Flywheel Fan	1
8	PWM2500SPV2-E08	Flywheel Complete	1
9	PWM2500SPV2-E09	Side Plate	1
10	PWM2500SPV2-E10	Diode	1
11	SFS612.S	Hex Head Flange Bolt M6 X 12 Zinc	1
12	PWM2500SPV2-E12	Ignition Coil Ass'y	1
13	SFS625.S	Hex Head Flange Bolt M6 X 25 Zinc	1

Item	Part No.	Description	Qty
14	PWM2500SPV2-E14	Drain Bolt (M10 x 1.5)	2
15	PWM2500SPV2-E15	Drain Washer	2
16	PWM2500SPV2-E16	Oil Seal (25x41.25x6)	2
17	PWM2500SPV2-E17	Crankcase Ass'y	1
18	PWM2500SPV2-E18	Carburetor Ass'y	1
19	PWM2500SPV2-E19	Carburetor Gasket	1
20	PWM2500SPV2-E20	Carburetor Insulator	1
21	PWM2500SPV2-E21	Insulator Gasket	1
22	PWM2500SPV2-E22	Choke Level Complete	1
23	PWM2500SPV2-E23	Air Cleaner Packing	1
24	PWM2500SPV2-E24	Bolt Head (M6x12)	2
25	PWM2500SPV2-E25	Cylinder Head Complete	1
26	PWM2500SPV2-E26	Dowel Pin (10x16)	2

NOTE: It is our policy to continually improve products and as such we reserve the right to alter data, specifications and component parts without prior notice. There may be alternative versions of this product, please contact us should you require this information.

IMPORTANT: No liability is accepted for incorrect use of product. Spare parts must be fitted by a competent person

WARRANTY: Guarantee is 12 months from purchase date, proof of which will be required for any claim.



Parts Information:
Pressure Washer 220bar 540L/hr Self-Priming 6.5hp Petrol
Model No: PWM2500SP.V2

Item	Part No.	Description	Qty
27	PWM2500SP.V2-E27	Cylinder Head Gasket	1
28	PWM2500SP.V2-E28	Spark Plug (F7RTC)	1
29	PWM2500SP.V2-E29	Double End Bolt (M8x35)	2
30	PWM2500SP.V2-E30	Flange Bolt (M8x55)	2
31	PWM2500SP.V2-E31	Cylinder Head Cover Gasket	1
32	PWM2500SP.V2-E32	Cylinder Head Cover Complete	1
33	PWM2500SP.V2-E33	Breather	1
34	PWM2500SP.V2-E34	Valve Rocker Arm Ass'y	1
35	PWM2500SP.V2-E35	Pushrod Guide Plate	1
36	PWM2500SP.V2-E36	Pushrod	2
37	PWM2500SP.V2-E37	Valve Lifter	2
38	PWM2500SP.V2-E38	Camshaft Ass'y	1
39	PWM2500SP.V2-E39	Valve, Exhaust	1
40	PWM2500SP.V2-E40	Valve, Intake	1
41	PWM2500SP.V2-E41	Valve Spring Seat	1
42	PWM2500SP.V2-E42	Valve Spring	2
43	PWM2500SP.V2-E43	Valve Spring Retainer, Ex	1
44	PWM2500SP.V2-E44	Valve Spring Retainer, In	1
45	PWM2500SP.V2-E45	Valve Rotator	1
46	PWM2500SP.V2-E46	Con-Rod Ass'y	1
49	PWM2500SP.V2-E49	Piston Complete	1
50	PWM2500SP.V2-E50	Piston Ring Set	1
51	PWM2500SP.V2-E51	Oil Cap	1
52	PWM2500SP.V2-E52	Flange Bolt (M8x32)	6
53	PWM2500SP.V2-E53	Crankcase Cover Ass'y	1
54	PWM2500SP.V2-E54	Dowel Pin (8x14)	2
55	PWM2500SP.V2-E55	Oil Filler Cap Ass'y	1
56	PWM2500SP.V2-E56	Crankcase Cover Gasket	1
57	PWM2500SP.V2-E57	Governor Ass'y	1
58	PWM2500SP.V2-E58	Governor Shaft Ass'y	1
59	PWM2500SP.V2-E59	Radial Bearing (6025)	2

Item	Part No.	Description	Qty
60	PWM2500SP.V2-E60	Oil Level Switch Ass'y	1
61	PWM2500SP.V2-E61	Control Ass'y	1
62	PWM2500SP.V2-E62	Governor Spring Dia 6.9mm	1
63	PWM2500SP.V2-E63	Governor Arm	1
64	PWM2500SP.V2-E64	Throttle Return Spring Dia 5.5mm	1
65	PWM2500SP.V2-E65	Governor Rod	1
66	NLN6.S	Nyloc Nut M6 Zinc	2
67	PWM2500SP.V2-E67	Air Cleaner Housing	1
69	PWM2500SP.V2-E69	Air Cleaner Bottom Plate	1
70	PWM2500SP.V2-E70	Air Cleaner Cover	1
71	PWM2500SP.V2-E71	Wing Nut	1
72	PWM2500SP.V2-E72	Oil Tube Clip	2
73	PWM2500SP.V2-E73	Oil Tube (4X8X150)	1
74	PWM2500SP.V2-E74	PVC Sleeve	1
75	PWM2500SP.V2-E75	Screw (M6x28)	1
76	PWM2500SP.V2-E76	Fuel Tank Joint	1
77	PWM2500SP.V2-E77	Fuel Tank (c/w E76,E78)	1
78	PWM2500SP.V2-E78	Fuel Tank Cap	1
79	PWM2500SP.V2-E79	Fuel Filter	1
80	PWM2500SP.V2-E80	Tapping Screw (M4x10)	4
82	PWM2500SP.V2-E82	Muffler	1
86	PWM2500SP.V2-E86	Crankshaft Complete	1
87	PWM2500SP.V2-E87	Screw (M6x10)	3
88	PWM2500SP.V2-E88	Starter Coil Spring	1
90	PWM2500SP.V2-E90	Muffler Cover	1
--	PWM2500SP.V2-E81	Muffler Protector (Not Shown)	1
--	PWM2500SP.V2-E83	Spark Plug (Not Shown)	1
--	PWM2500SP.V2-E85	Muffler Gasket (Not Shown)	1
--	PWM2500SP.V2-E89	Tool Kit (Not Shown)	1
--	PWM2500SP.V2-E91	Air Filter Element (Not Shown)	1
--	PWM2500SP.V2-E92	Air Intake Complete (Not Shown)	1

NOTE: It is our policy to continually improve products and as such we reserve the right to alter data, specifications and component parts without prior notice. There may be alternative versions of this product, please contact us should you require this information.

IMPORTANT: No liability is accepted for incorrect use of product. Spare parts must be fitted by a competent person

WARRANTY: Guarantee is 12 months from purchase date, proof of which will be required for any claim.

Sealey Group, Kempson Way, Suffolk Business Park, Bury St Edmunds, Suffolk. IP32 7AR



01284 757500



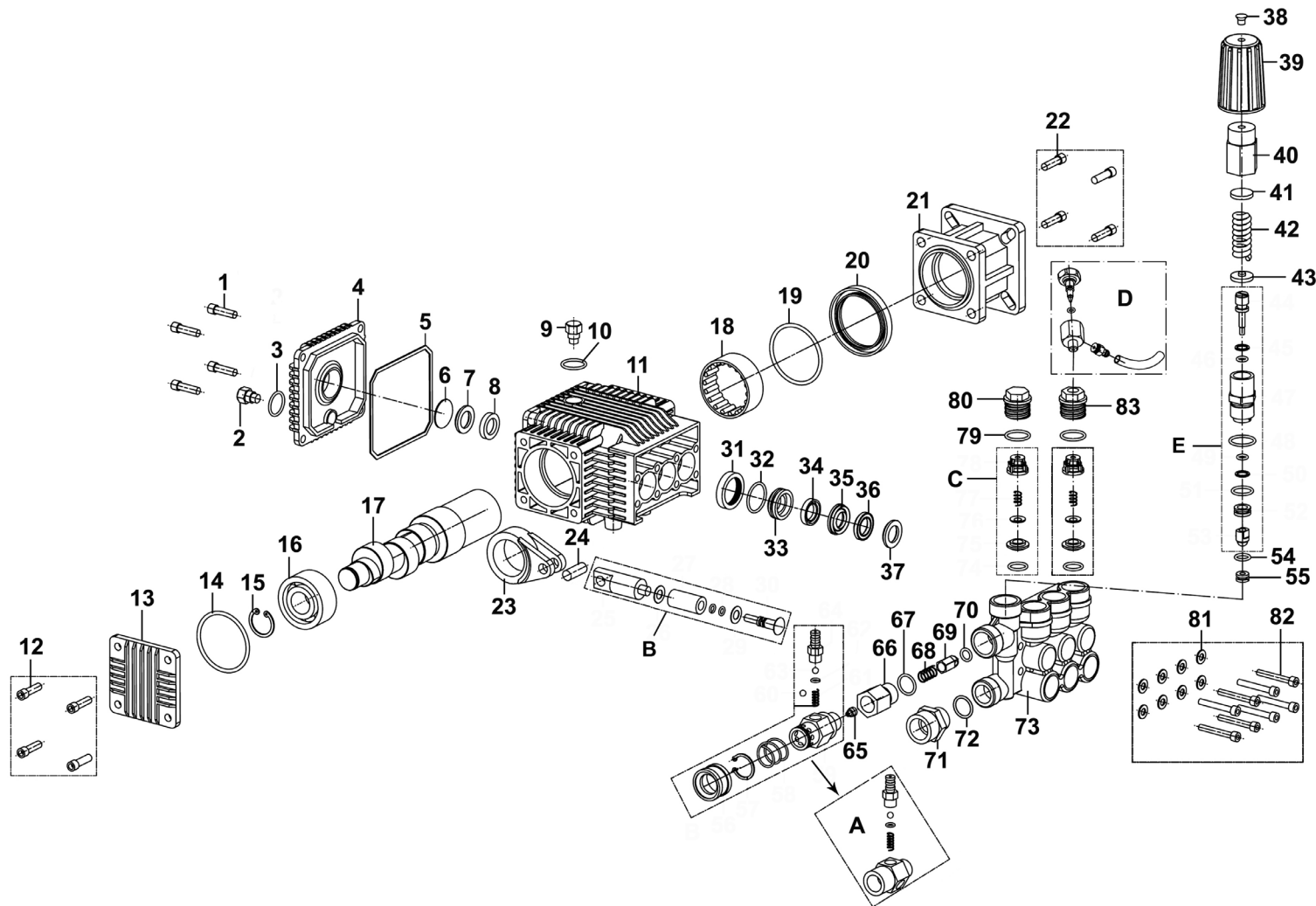
sales@sealey.co.uk



www.sealey.co.uk



Parts Information:
Pressure Washer 220bar 540L/hr Self-Priming 6.5hp Petrol
Model No: PWM2500SP.V2



NOTE: It is our policy to continually improve products and as such we reserve the right to alter data, specifications and component parts without prior notice.

There may be alternative versions of this product, please contact us should you require this information.

IMPORTANT: No liability is accepted for incorrect use of product. Spare parts must be fitted by a competent person

WARRANTY: Guarantee is 12 months from purchase date, proof of which will be required for any claim.

Sealey Group, Kempson Way, Suffolk Business Park, Bury St Edmunds, Suffolk. IP32 7AR



01284 757500



sales@sealey.co.uk



www.sealey.co.uk



Parts Information:
Pressure Washer 220bar 540L/hr Self-Priming 6.5hp Petrol
Model No: PWM2500SP.V2

Item	Part No.	Description	Qty
1	PWM2500SP.V2-P01	Fixing Bolt for Back Cover	4
2	PWM2500SP.V2-P02	Oil Drain Bolt	1
3	PWM2500SP.V2-P03	Oil Drain Bolt Washer	1
4	PWM2500SP.V2-P04	Crankcase Cover	1
5	PW2000.P24	O-ring, (Ex: 93.81 In: 88.57 Cs: 2.62)	1
6	PWM2500SP.V2-P06	Oil Level Lens	1
7	PWM2500SP.V2-P07	Oil Level Lens Seal	1
8	PWM2500SP.V2-P08	Oil Level Lens Cap	1
9	PWM2500SP.V2-P09	Oil Inlet Plug	1
10	PWM2500SP.V2-P10	Oil Inlet Plug O-Ring	1
11	PWM2500SP.V2-P11	Crankcase	1
12	PWM2500SP.V2-P12	Fixing Bolt for Crank Shaft Cover	4
13	PWM2500SP.V2-P13	Crank Shaft Cover	1
14	PWM2500SP.V2-P14	O-Ring, (Ex: 58.88 In: 53.64 Cs: 2.62)	1
15	PWM2500SP.V2-P15	Internal Circlip	1
16	PWM2500SP.V2-P16	Bearing	1
17	PWM2500SP.V2-P17	Crank Shaft	1
18	PWM2500SP.V2-P18	Roller Bearing	1
19	PWM2500SP.V2-P19	O-Ring, (Ex: 58.88 In: 53.64 Cs: 2.62)	1
20	PWM2500SP.V2-P20	Crank Shaft Oil Seal	1
21	PWM2500SP.V2-P21	Connecting Flange	1
22	PWM2500SP.V2-P22	Fixing Bolt for Connecting Flange	4
23	PWM2500SP.V2-P23	Connecting Rod	3
24	PWM2500SP.V2-P24	Connecting Rod Pin	3
31	PWM2500SP.V2-P31	Plunger Oil Seal	3
32	PWM2500SP.V2-P32	O-Ring, (Ex: 26.40 In: 23.50 Cs: 1.45)	3
33	PWM2500SP.V2-P33	Water Seal Cap	3
34	PWM2500SP.V2-P34	Water Seal Guide Ring	3
35	PWM2500SP.V2-P35	Water Seal Grip Ring	3
36	PWM2500SP.V2-P36	Water Seal	3
37	PWM2500SP.V2-P37	Support Seal	3

Item	Part No.	Description	Qty
38	PWM2500SP.V2-P38	Pressure Adjusting Handle Screw	1
39	PWM2500SP.V2-P39	Knob, Pressure Adjust, OD: 33mm, 22mm Female Hex Fitting	1
40	PWM2500SP.V2-P40	Pressure Adjusting Handle Cover	1
41	PWM2500SP.V2-P41	Pressure Adjusting Spring Upper Gasket	1
42	PWM2500SP.V2-P42	Pressure Adjusting Spring Dia 12.8mm	1
43	PWM2500SP.V2-P43	Pressure Adjusting Spring Middle Gasket	1
54	PWM2500SP.V2-P54	Pressure Adjusting Gasket O-Ring	1
55	PWM2500SP.V2-P55	Pressure Adjusting Gasket	1
65	PWM2500SP.V2-P65	Water Spray Nozzle	1
66	PWM2500SP.V2-P66	Coned Valve Joint	1
67	PWM2500SP.V2-P67	O-Ring, (Ex: 20.33 In: 15.53 Cs: 2.40)	1
68	PWM2500SP.V2-P68	Valve Spring Dia 2.6mm	1
69	PWM2500SP.V2-P69	Coned Valve	1
70	PWM2500SP.V2-P70	Coned Valve O-Ring	1
71	PWM2500SP.V2-P71	Water Inlet Connector	1
72	PWM2500SP.V2-P72	O-Ring, (Ex: 18.40 In: 14.40 Cs: 2)	1
73	PWM2500SP.V2-P73	Pump Body	1
79	PWM2500SP.V2-P79	Check Valve Cap O-Ring	6
80	PWM2500SP.V2-P80	Check Valve Cap	5
81	PWM2500SP.V2-P81	Washer	8
82	PWM2500SP.V2-P82	Fixing Bolt for Pump Body	8
83	PWM2500SP.V2-P83	Check Valve Plug	1
A	PWM2500SP.V2-A	Water Outlet Connector	1
B	PWM2500SP.V2-P25-30	Plunger Piston Ass'y	3
C	PWM2500SP.V2-P74-78	Check Valve Ass'y	6
D	PWM2500SP.V2-D	Vent Valve Ass'y	1
E	PWM2500SP.V2-P53	Pressure Adjusting Valve Head Ass'y (c/w Parts P44-P52)	1

NOTE: It is our policy to continually improve products and as such we reserve the right to alter data, specifications and component parts without prior notice. There may be alternative versions of this product, please contact us should you require this information.

IMPORTANT: No liability is accepted for incorrect use of product. Spare parts must be fitted by a competent person

WARRANTY: Guarantee is 12 months from purchase date, proof of which will be required for any claim.

Sealey Group, Kempson Way, Suffolk Business Park, Bury St Edmunds, Suffolk. IP32 7AR



01284 757500



sales@sealey.co.uk



www.sealey.co.uk