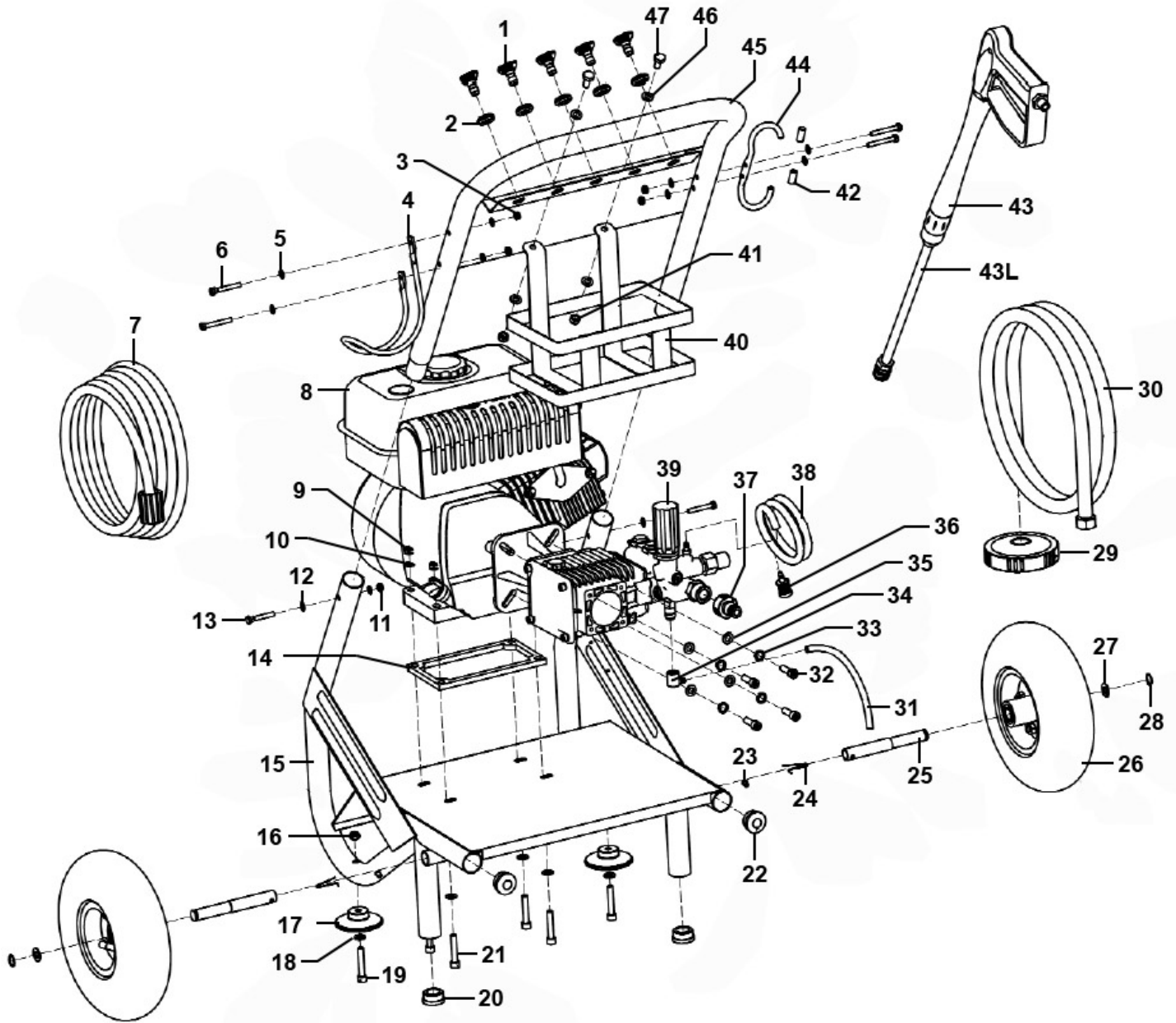


Parts Information:
Pressure Washer 220bar 540L/hr Self-Priming 6.5hp Petrol
Model No: PWM2500SP



Item	Part No.	Description
1	PWDM3600.40B	Nozzle (Black)
1	PWDM3600.40G	Nozzle (Green)
1	PWDM3600.40R	Nozzle (Red)
1	PWDM3600.40W	Nozzle (White)
1	PWDM3600.40Y	Nozzle (Yellow)
2	PWM2500SP.F02	Frame Nozzle Sleeve
3	NLN6.S	Nyloc Nut M6 Zinc
4	PWM2500SP.F04	Hose Hook
5	PWM2500SP.F05	Flat Washer 6mm

Item	Part No.	Description
6	PWM2500SP.F06	Screw (M6x45)
7	PWM2500SP.F07	High Pressure Hose (M22/15mm - M22/15mm) 5m Long
8	PWM2500SP.F08	Engine (External 4 Stroke 1 Cylinder Petrol 6.5hp 196cc)
9	NLN8.S	Nyloc Nut M8 Zinc
10	PWM2500SP.F10	Flat Washer 8mm
11	NLN6.S	Nyloc Nut M6 Zinc
12	PWM2500SP.F12	Flat Washer 6mm

NOTE: It is our policy to continually improve products and as such we reserve the right to alter data, specifications and component parts without prior notice. There may be alternative versions of this product, please contact us should you require this information.

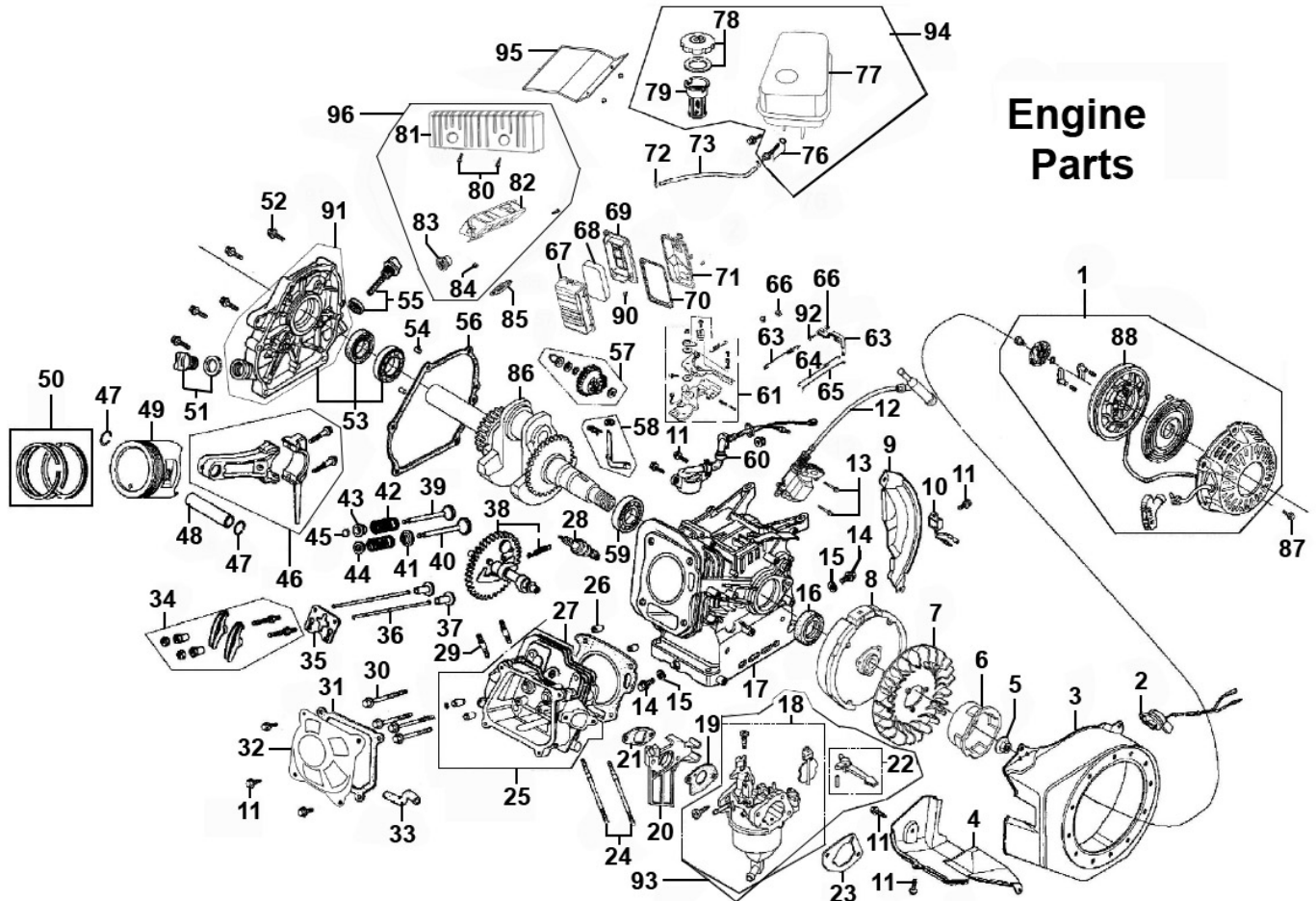
IMPORTANT: No liability is accepted for incorrect use of product. Spare parts must be fitted by a competent person

WARRANTY: Guarantee is 12 months from purchase date, proof of which will be required for any claim.

Parts Information:
Pressure Washer 220bar 540L/hr Self-Priming 6.5hp Petrol
Model No: PWM2500SP

Item	Part No.	Description
13	MPS640.S	Pan Head Machine Screw M6x40
14	PWM2500SP.F14	Engine Mount Rubber Gasket
15	PWM2500SP.F15	Frame Base
16	NLN8.S	Nyloc Nut M8 Zinc
17	PWM2500SP.F17	Rubber Foot
18	PWM2500SP.F18	Washer
19	PWM2500SP.F19	Screw (M8x45)
20	PWM2500SP.F20	Rubber Plug
21	PWM2500SP.F21	Screw (M8x40)
22	PWM2500SP.F20	Rubber Plug
23	PWM2500.F18	Brass Bung
24	PWM2500SP.F24	R-Pin
25	PWM2500SP.F25	Wheel Axle
26	PWDM3600.18	Wheel 4.10x3.50-4 16mm Bore
27	FWM16.S	Flat Washer 16mm
28	MC4500.P5	External Circlip 14.5m ID.
29	PWM2500SP.F29	Water Suction Filter
30	PWM2500SP.F30	Water Suction Hose

Item	Part No.	Description
31	PWM2500SP.F31	Drain Pipe
32	SCB825.SB	Socket Cap Bolt M8 x 25mm Black
33	SWM8.S	Spring Washer M8 Zinc
34	PWM2500SP.F34	Thermal Relief Cap
35	PWM2500SP.F35	Flat Washer 8mm
36	PWM2500SP.F36	Water Filter
37	PWM2500SP.F37	Water Inlet
38	PWM2500SP.F38	Injection Hose 10.4mm x 14mm x 780mm
39	PWM2500SP.F39	Pump Assembly
40	PWM2500SP.F40	Detergent Holder
41	NLN8.S	Nyloc Nut M8 Zinc
42	PWM2500SP.F42	Gun Hook Sheath
43	PWM2500SP.F43	Pressure Gun
44	PWM2500SP.F44	Gun Hook
45	PWM2500SP.F45	Upper Frame
46	PWM2500SP.F46	Flat Washer 8mm
47	PWM2500SP.F47	Screw (M8x16)
--	PCDM3600V2P49	Inlet Filter (Not Shown)



NOTE: It is our policy to continually improve products and as such we reserve the right to alter data, specifications and component parts without prior notice. There may be alternative versions of this product, please contact us should you require this information.

IMPORTANT: No liability is accepted for incorrect use of product. Spare parts must be fitted by a competent person

WARRANTY: Guarantee is 12 months from purchase date, proof of which will be required for any claim.



Parts Information:
Pressure Washer 220bar 540L/hr Self-Priming 6.5hp Petrol
Model No: PWM2500SP

Item	Part No.	Description
1	PWM2500SP.E01	Recoil Starter Complete
2	PWM2500SP.E02	On/Off Rotary Engine Switch. C/w Wires
3	PWM2500SP.E03	Fan Cover Complete
4	PWM2500SP.E04	Shroud Complete
5	SN14.S	Nut M14
6	PWM2500SP.E06	Starter Pulley
7	PWM2500SP.E07	Cooling Fan
8	PWM2500SP.E08	Flywheel Complete
9	PWM2500SP.E09	Side Plate
10	PWM2500SP.E10	Diode
11	PWM2500SP.E11	Flange Bolt (M6x12)
12	PWM2500SP.E12	Ignition Coil Ass'y
13	PWM2500SP.E13	Flange Bolt (M6x25)
14	PWM2500SP.E14	Drain Bolt
15	PWM2500SP.E15	Drain Washer
16	PWM2500SP.E16	Oil Seal (25x41.25x6)
17	PWM2500SP.E17	Crankcase Ass'y
18	PWM2500SP.E93	Carburetor Ass'y
19	PWM2500SP.E19	Carburetor Gasket
20	PWM2500SP.E20	Carburetor Insulator
21	PWM2500SP.E21	Insulator Packing
22	PWM2500SP.E22	Choke Level Complete
23	PWM2500SP.E23	Air Cleaner Packing
24	PWM2500SP.E24	Bolt Head (M6x112)
25	PWM2500SP.E25	Cylinder Head Complete
26	PWM2500SP.E26	Dowel Pin (10x16)
27	PWM2500SP.E27	Cylinder Head Gasket
28	PWM2500SP.E28	Spark Plug(F7RTC)
29	PWM2500SP.E29	Bolt Head (M8x35)
30	PWM2500SP.E30	Flange Bolt (M8x55)
31	PWM2500SP.E31	Cylinder Head Cover Gasket
32	PWM2500SP.E32	Cylinder Head Cover Complete
33	PWM2500SP.E33	Breather
34	PWM2500SP.E34	Valve Rocker Arm Ass'y
35	PWM2500SP.E35	Pushrod Guide Plate
36	PWM2500SP.E36	Pushrod
37	PWM2500SP.E37	Valve Lifter
38	PWM2500SP.E38	Camshaft Ass'y
39	PWM2500SP.E39	Valve, Exhaust
40	PWM2500SP.E40	Valve, Intake
41	PWM2500SP.E41	Valve Spring Seat
42	PWM2500SP.E42	Valve Spring

Item	Part No.	Description
43	PWM2500SP.E43	Valve Spring Retainer, Ex
44	PWM2500SP.E44	Valve Spring Retainer, In
45	PWM2500SP.E45	Valve Rotator
46	PWM2500SP.E46	Piston Pin
47	PWM2500SP.E47	Piston Pin Clip
48	PWM2500SP.E48	Piston Pin
49	PWM2500SP.E49	Piston
50	PWM2500SP.E50	Piston Ring Set
51	PWM2500SP.E51	Oil Cap
52	PWM2500SP.E52	Flange Bolt (M8x32)
53	PWM2500SP.E53	Oil Seal (25*41.25*6)
54	PWM2500SP.E54	Dowel Pin (8x14)
55	PWM2500SP.E55	Oil Filler Cap Ass'y
56	PWM2500SP.E56	Case Cover Packing
57	PWM2500SP.E57	Governor Ass'y
58	PWM2500SP.E58	Governor Shaft Ass'y
59	PWM2500SP.E59	Radial Bearing (6025)
60	PWM2500SP.E60	Oil level Switch Ass'y
61	PWM2500SP.E61	Control Ass'y
62	PWM2500SP.E62	Governor Spring Dia 0.6mm
63	PWM2500SP.E63	Governor Arm
64	PWM2500SP.E64	Throttle Return Spring Dia 6.8mm
65	PWM2500SP.E65	Governor Rod
66	SN6.S	Nut M6
67	PWM2500SP.E67	Air Cleaner Front Case
68	PWM2500SP.E69	Air Cleaner Separator
69	PWM2500SP.E69	Air Cleaner Element
70	PWM2500SP.E70	Air Cleaner Cover
71	PWM2500SP.E69	Air Cleaner Set
72	PWM2500SP.E72	Oil Tube Clip
73	PWM2500SP.E73	Oil Tube (4x8x150)
75	PWM2500SP.E75	Screw (M6x28)
76	PWM2500SP.E76	Fuel Tank Joint
77	PWM2500SP.E77	Fuel Tank
78	PWM2500SP.E78	Fuel Tank Cap
79	PWM2500SP.E79	Fuel Filter
80	PWM2500SP.E80	Tapping Screw (M5x8)
81	PWM2500SP.E81	Muffler Protector
82	PWM2500SP.E82	Muffler
83	PWM2500SP.E83	Spark Arrester
84	SN8.S	Nut M8
85	PWM2500SP.E85	Muffler Gasket

NOTE: It is our policy to continually improve products and as such we reserve the right to alter data, specifications and component parts without prior notice. There may be alternative versions of this product, please contact us should you require this information.

IMPORTANT: No liability is accepted for incorrect use of product. Spare parts must be fitted by a competent person

WARRANTY: Guarantee is 12 months from purchase date, proof of which will be required for any claim.

Sealey Group, Kempson Way, Suffolk Business Park, Bury St Edmunds, Suffolk. IP32 7AR



01284 757500



01284 703534



sales@sealey.co.uk



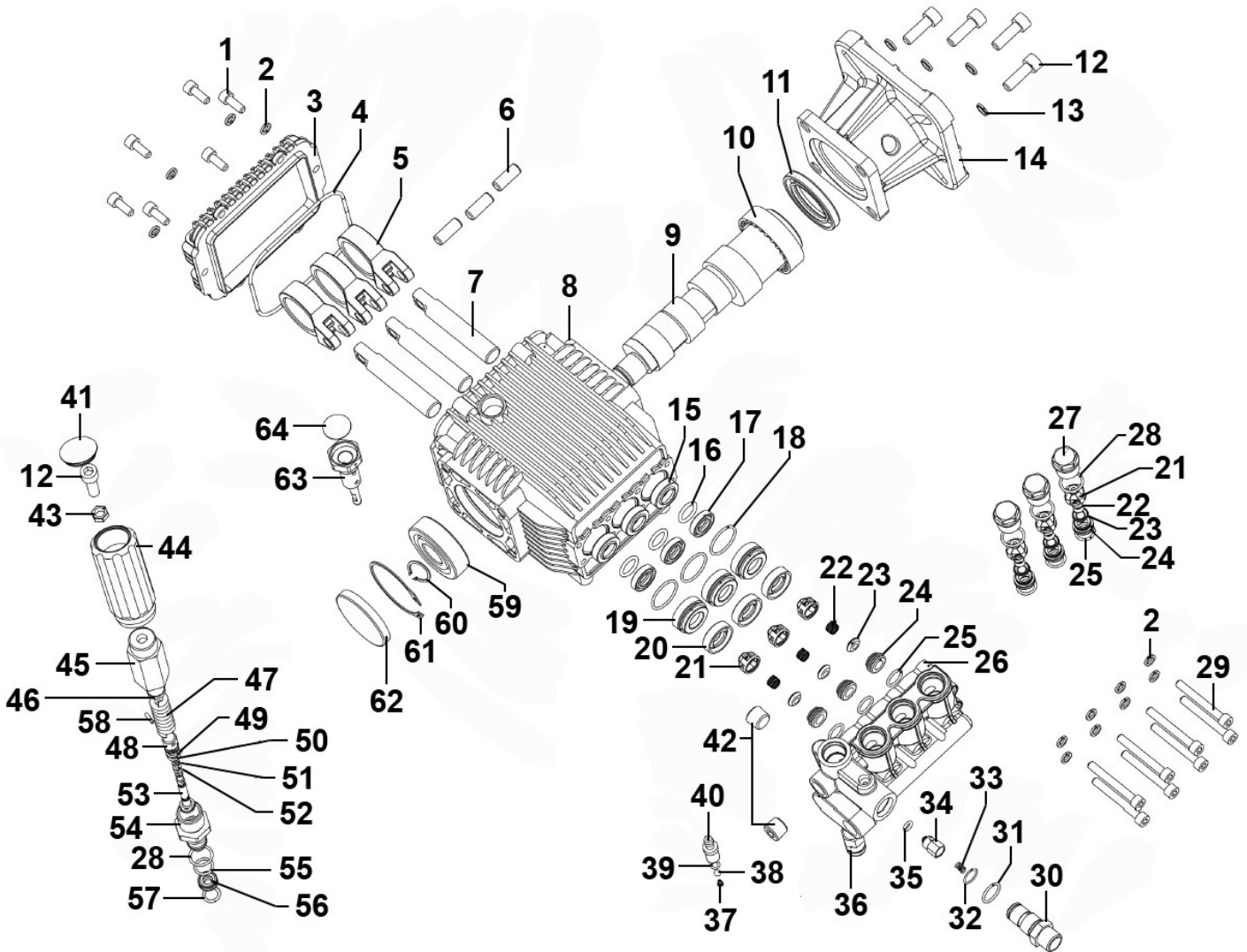
www.sealey.co.uk



Parts Information:
Pressure Washer 220bar 540L/hr Self-Priming 6.5hp Petrol
Model No: PWM2500SP

Item	Part No.	Description
86	PWM2500SP.E86	Crankshaft Complete
87	PWM2500SP.E87	Screw (M6x12)
88	PWM2500SP.E88	Ratchet Guide Plate
89	PWM2500SP.E89	Screw (M6x12)
90	PWM2500SP.E90	Screw (M6x12)
91	PWM2500SP.E91	Crankcase Cover Ass'y

Item	Part No.	Description
92	PWM2500SP.E92	Screw (M6x21)
93	PWM2500SP.E93	Carburetor Ass'y
94	PWM2500SP.E94	Fuel Tank
95	PWM2500SP.E95	Fuel Tank Support
96	PWM2500SP.E96	Muffler Ass'y



Item	Part No.	Description
1	SCB616.SB	Socket Cap Bolt Black M6x16
2	SWM6.S	Spring Washer M6
3	PWM2500SP.P03	Crank Case Cover
4	PWM2500SP.P04	Crankcase Cover Seal
5	PWM2500SP.P05	Plunger connecting Ring

Item	Part No.	Description
6	PWM2500SP.P06	Locating pin
7	PWM2500SP.P07	Plunger
8	PWM2500SP.P08	Crank case
9	PWM2500SP.P09	Crank shaft
10	B/4516Z	Roller Bearing 4516z

NOTE: It is our policy to continually improve products and as such we reserve the right to alter data, specifications and component parts without prior notice. There may be alternative versions of this product, please contact us should you require this information.

IMPORTANT: No liability is accepted for incorrect use of product. Spare parts must be fitted by a competent person

WARRANTY: Guarantee is 12 months from purchase date, proof of which will be required for any claim.

Sealey Group, Kempson Way, Suffolk Business Park, Bury St Edmunds, Suffolk. IP32 7AR



01284 757500



01284 703534



sales@sealey.co.uk



www.sealey.co.uk



Parts Information:
Pressure Washer 220bar 540L/hr Self-Priming 6.5hp Petrol
Model No: PWM2500SP

Item	Part No.	Description
11	PWM2500SP.P11	Crank Shaft Oil Seal (40x52x7)
12	SCB825.SB	Hex Bolt M8 X 25
13	PWM2500SP.P13	Spring Washer (8mm)
14	PWM2500SP.P14	Connecting Flange
15	PWM2500SP.P15	Plunger Oil Seal (15x25x7)
16	AVR2500A.P22	O-Ring, (Ex: 19.18 In: 13.94 Cs: 2.62)
17	PWM2500SP.P17	Rubber Seal (15x22x5)
18	AK453X.V3-P38	O-Ring, (Ex: 27.08 In: 23.52 Cs: 1.78)
19	PWM2500SP.P19	Guide Sleeve
20	PWM2500SP.P20	Water Seal (15x25x7)
21	PWM2500SP.P21	Check Valve Cover
22	PWM2500SP.P22	Check Valve Spring Dia 7.2mm
23	PWM2500SP.P23	Check Valve Plate
24	PWM2500SP.P24	Support Ring
25	840.V2-M18	O-Ring, (Ex: 15.98 In: 12.42 Cs: 1.78)
26	PWM2500SP.P26	Pump Block
27	PWM2500SP.P27	Plug
28	SA19S.V2-17	O-Ring, (Ex: 19.16 In: 15.60 Cs: 1.78)
29	SCB650.S	Socket Cap Bolt Zinc M6 x 50
30	PWM2500SP.P30	Outlet Connector
31	VS3900.03	O-Ring, (Ex: 17.56 In: 14 Cs: 1.78)
32	840.V2-M18	O-Ring, (Ex: 15.98 In: 12.42 Cs: 1.78)
33	PWM2500SP.P33	Valve Spring Dia 6.4mm
34	PWM2500SP.P34	Check Valve Rod
35	AK458DX.V4-20	O-Ring, (Ex: 8.84 In: 5.28 Cs: 1.78)
36	PWM2500SP.P36	Thermal Relief Protector
37	PWM2500SP.P37	Valve Spring Tapered
38	SB-5.0	Steel Ball 5.0mm

Item	Part No.	Description
39	PWM2500SP.P39	O-Ring, (Ex: 6.89 In: 4.14 Cs: 1.37)
40	PWM2500SP.P40	Check Valve Body
41	PWM2500SP.P41	Handle Cover
42	PWM2500SP.P42	Sealing Screw
43	PWM2500SP.P43	Hex Nut M8 Stainless Steel
44	PWM2500SP.P44	Pressure Adjusting Handle
45	PWM2500SP.P45	Valve Cover
46	PWM2500SP.P46	Spring Seat
47	PWM2500SP.P47	Pressure Adjusting Spring Dia 14.4mm
48	PWM2500SP.P48	Valve Head
49	PWM2500SP.P49	Check Ring (8x11x1.3)
50	SA802.23	O-Ring, (Ex: 9.63 In: 6.07 Cs: 1.78)
51	PWM2500SP.P51	Check Ring (3.1x6x1.3)
52	PWM2500SP.P52	O-Ring, (Ex: 6.40 In: 3.35 Cs: 1.53)
53	PWM2500SP.P53	Valve Core
54	PWM2500SP.P54	Valve Sheath
55	PWM2500SP.P55	O-Ring, (Ex: 16.04 In: 12.03 Cs: 2.01)
56	PWM2500SP.P56	Bypass Valve Seat
57	PWM2500SP.P57	O-Ring, (Ex: 13.80 In: 10.50 Cs: 1.65)
58	PWM2500SP.P58	Pin
59	B/6304	Bearing 6304
60	MC550.24	External Circlip 18.5mm ID
61	PWM2500SP.P61	Internal Circlip
62	PWM2500SP.P62	End Cover
63	PWM2500SP.P63	Dipstick
64	PWM2500SP.P64	Dipstick Cover
--	PWM2500SP.P65	Large Connector (Not Shown)

NOTE: It is our policy to continually improve products and as such we reserve the right to alter data, specifications and component parts without prior notice. There may be alternative versions of this product, please contact us should you require this information.

IMPORTANT: No liability is accepted for incorrect use of product. Spare parts must be fitted by a competent person

WARRANTY: Guarantee is 12 months from purchase date, proof of which will be required for any claim.

Sealey Group, Kempson Way, Suffolk Business Park, Bury St Edmunds, Suffolk. IP32 7AR



01284 757500



01284 703534



sales@sealey.co.uk



www.sealey.co.uk