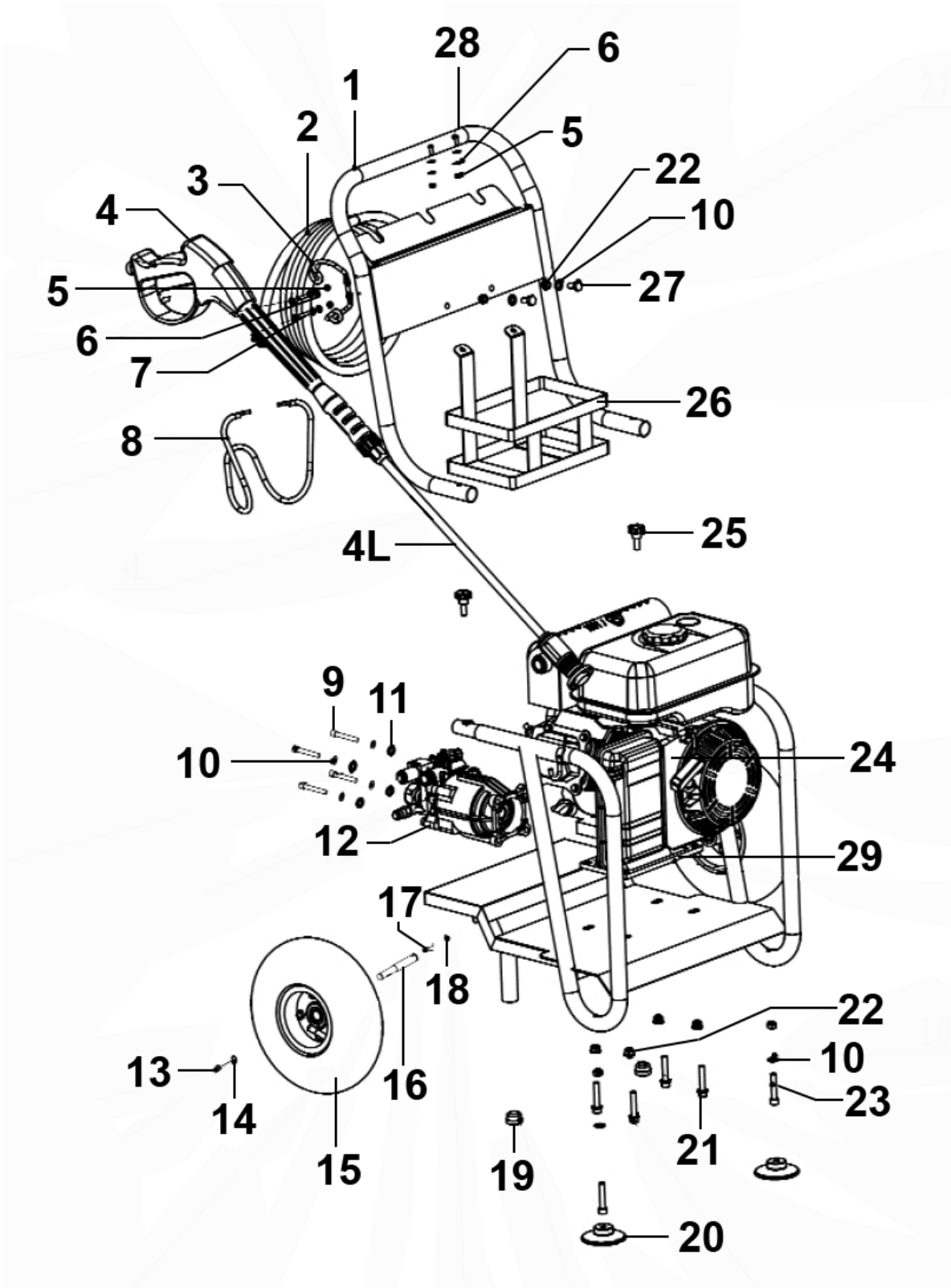




Parts Information:
Pressure Washer 220bar 600L/hr 6.5hp
Petrol
Model No: PWM2500



NOTE: It is our policy to continually improve products and as such we reserve the right to alter data, specifications and component parts without prior notice. There may be alternative versions of this product, please contact us should you require this information.

IMPORTANT: No liability is accepted for incorrect use of product. Spare parts must be fitted by a competent person

WARRANTY: Guarantee is 12 months from purchase date, proof of which will be required for any claim.

Sealey Group, Kempson Way, Suffolk Business Park, Bury St Edmunds, Suffolk. IP32 7AR



01284 757500



01284 703534



sales@sealey.co.uk



www.sealey.co.uk



Parts Information:
**Pressure Washer 220bar 600L/hr 6.5hp
Petrol
Model No: PWM2500**

Item	Part No.	Description
1	PWM2500.F01	Frame Complete (2pcs)
2	PWM2500SP.F07	High Pressure Hose (M22/15mm - M22/15mm) 5m Long
3	PWM2500.F03	Gun Hook
4	PWM2500SP.F43	Pressure Gun
4L	PWM2500.F04L	Lance Only For Pressure Gun
5	NLN5.S	Nyloc Nut M5 Zinc
6	FWM5.S	Flat Washer M5 Zinc
7	MSP535.S	Machine Screw Pan Head Phillips M5 x 35mm
8	PWM2500.F08	Hose Hook
9	PWM2500.F09	Hex Bolt (M8x25)
10	RW825.S	Repair Washer M8 X 25 Zinc
11	SWM8.S	Spring Washer M8 Zinc
12	PWM2500.F12	Pump Assembly
13	MC4500.P5	Ext Circlip 18.2mm OD.
14	FWM16.S	Flat Washer M16 Zinc

Item	Part No.	Description
15	PWDM3600.18	Wheel 4.10x3.50-4 16mm bore / Wheel 4.10x3.50-4 16mm bore
16	PWM2500.F16	Wheel Axle: Circlip + Female Screw Fittings (L:130mm D:16mm)
17	PWM2500.F17	R-Pin
18	PWM2500.F18	Brass Bung
19	PWM2500.F19	Frame Plug
20	PWM2500SP.F17	Rubber Foot
21	SCB840.SB	Socket Cap Bolt M8 x 40mm Black
22	NLN8.S	Nyloc Nut M8 Zinc
23	SCB840.SB	Socket Cap Bolt M8x40 Black
24	PWM2500SP.F08	Engine (External 4 Stroke 1 Cylinder Petrol 6.5hp 196cc)
25	PWM2500.F25	Frame Fixing Bolt (M8x30)
26	PWM2500.F26	Storage Case
27	PWM2500.F27	Bolt (M8x15)
28	MSP512.S	Machine Screw Pan Head Phillips M5 X 12mm
29	PWM2500.F29	Engine Mount Rubber Gasket

NOTE: It is our policy to continually improve products and as such we reserve the right to alter data, specifications and component parts without prior notice. There may be alternative versions of this product, please contact us should you require this information.

IMPORTANT: No liability is accepted for incorrect use of product. Spare parts must be fitted by a competent person

WARRANTY: Guarantee is 12 months from purchase date, proof of which will be required for any claim.

Sealey Group, Kempson Way, Suffolk Business Park, Bury St Edmunds, Suffolk. IP32 7AR



01284 757500



01284 703534

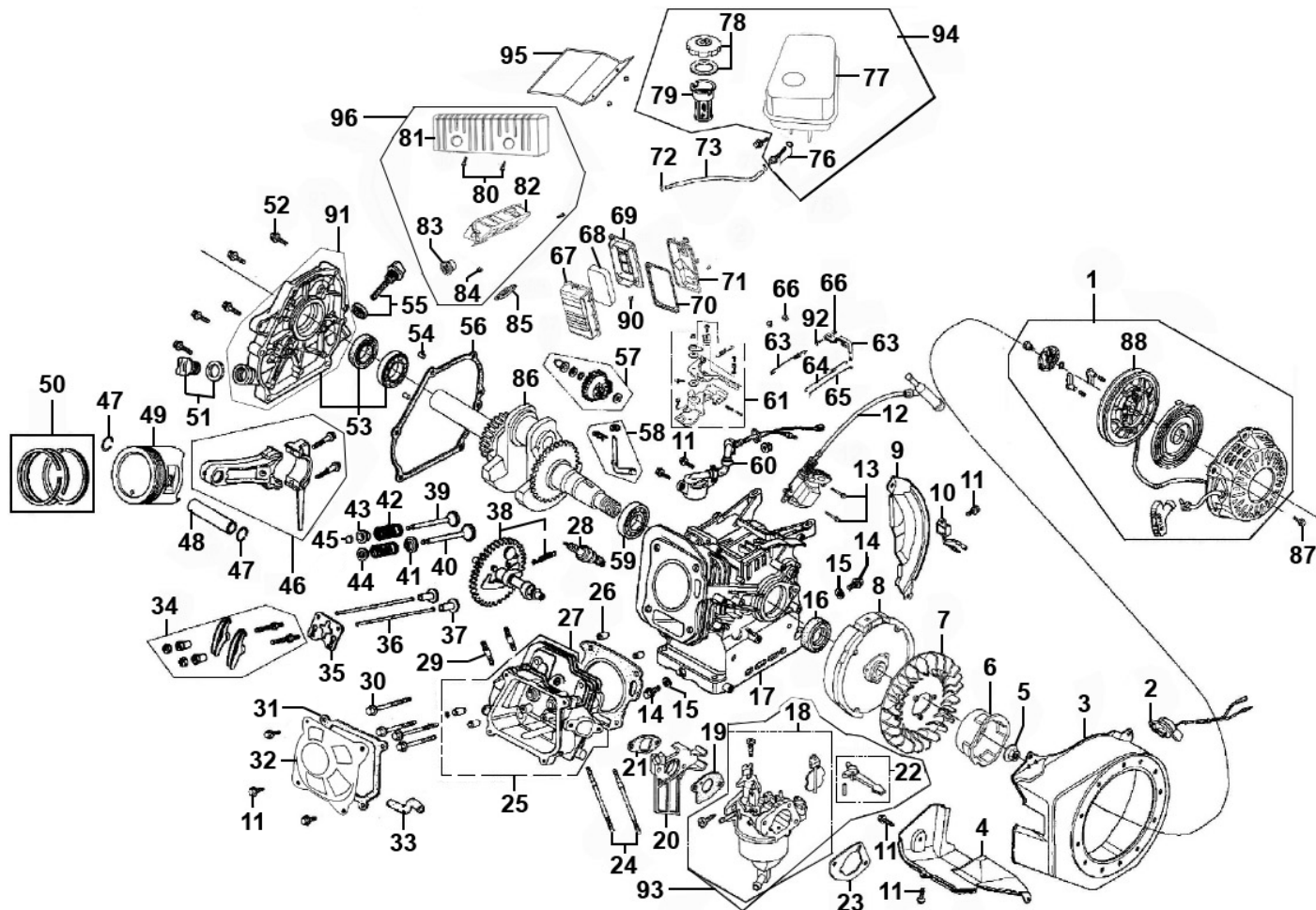


sales@sealey.co.uk



www.sealey.co.uk

Parts Information:
**Pressure Washer 220bar 600L/hr 6.5hp
 Petrol**
Model No: PWM2500



Item	Part No.	Description
1	PWM2500SPE01	Recoil Starter Complete
2	PWM2500SPE02	On/Off Rotary Engine Switch. C/w Wires
3	PWM2500SPE03	Fan Cover Complete
4	PWM2500SPE04	Shroud Complete
5	SN14.S	Nut M14
6	PWM2500SPE06	Starter Pulley
7	PWM2500SPE07	Cooling Fan
8	PWM2500SPE08	Flywheel Complete
9	PWM2500SPE09	Side Plate
10	PWM2500SPE10	Diode
11	PWM2500SPE11	Flange Bolt (M6x12)
12	PWM2500SPE12	Ignition Coil Ass'y
13	PWM2500SPE13	Flange Bolt (M6x25)
14	PWM2500SPE14	Drain Bolt
15	PWM2500SPE15	Drain Washer
16	PWM2500SPE16	Oil Seal (25x41.25x6)

Item	Part No.	Description
17	PWM2500SPE17	Crankcase Ass'y
18	PWM2500SPE93	Carburetor Ass'y
19	PWM2500SPE19	Carburetor Gasket
20	PWM2500SPE20	Carburetor Insulator
21	PWM2500SPE21	Insulator Packing
22	PWM2500SPE22	Choke Level Complete
23	PWM2500SPE23	Air Cleaner Packing
24	PWM2500SPE24	Bolt Head (M6x12)
25	PWM2500SPE25	Cylinder Head Complete
26	PWM2500SPE26	Dowel Pin (10x16)
27	PWM2500SPE27	Cylinder Head Gasket
28	PWM2500SPE28	Spark Plug(F7RTC)
29	PWM2500SPE29	Bolt Head (M8x35)
30	PWM2500SPE30	Flange Bolt (M8x55)
31	PWM2500SPE31	Cylinder Head Cover Gasket
32	PWM2500SPE32	Cylinder Head Cover Complete

NOTE: It is our policy to continually improve products and as such we reserve the right to alter data, specifications and component parts without prior notice. There may be alternative versions of this product, please contact us should you require this information.

IMPORTANT: No liability is accepted for incorrect use of product. Spare parts must be fitted by a competent person

WARRANTY: Guarantee is 12 months from purchase date, proof of which will be required for any claim.



Parts Information:
Pressure Washer 220bar 600L/hr 6.5hp
Petrol
Model No: PWM2500

Item	Part No.	Description
33	PWM2500SP.E33	Breather
34	PWM2500SP.E34	Valve Rocker Arm Ass'y
35	PWM2500SP.E35	Pushrod Guide Plate
36	PWM2500SP.E36	Pushrod
37	PWM2500SP.E37	Valve Lifter
38	PWM2500SP.E38	Camshaft Ass'y
39	PWM2500SP.E39	Valve, Exhaust
40	PWM2500SP.E40	Valve, Intake
41	PWM2500SP.E41	Valve Spring Seat
42	PWM2500SP.E42	Valve Spring
43	PWM2500SP.E43	Valve Spring Retainer, Ex
44	PWM2500SP.E44	Valve Spring Retainer, In
45	PWM2500SP.E45	Valve Rotator
46	PWM2500SP.E46	Piston Pin
47	PWM2500SP.E47	Piston Pin Clip
48	PWM2500SP.E48	Piston Pin
49	PWM2500SP.E49	Piston
50	PWM2500SP.E50	Piston Ring Set
51	PWM2500SP.E51	Oil Cap
52	PWM2500SP.E52	Flange Bolt (M8x32)
53	PWM2500SP.E53	Oil Seal (25*41.25*6)
54	PWM2500SP.E54	Dowel Pin (8x14)
55	PWM2500SP.E55	Oil Filler Cap Ass'y
56	PWM2500SP.E56	Case Cover Packing
57	PWM2500SP.E57	Governor Ass'y
58	PWM2500SP.E58	Governor Shaft Ass'y
59	PWM2500SP.E59	Radial Bearing (6025)
60	PWM2500SP.E60	Oil level Switch Ass'y
61	PWM2500SP.E61	Control Ass'y
62	PWM2500SP.E62	Governor Spring Dia 0.6mm
63	PWM2500SP.E63	Governor Arm
64	PWM2500SP.E64	Throttle Return Spring Dia 6.8mm

Item	Part No.	Description
65	PWM2500SP.E65	Governor Rod
66	SN6.S	Nut M6
67	PWM2500SP.E67	Air Cleaner Front Case
68	PWM2500SP.E69	Air Cleaner Separator
69	PWM2500SP.E69	Air Cleaner Element
70	PWM2500SP.E70	Air Cleaner Cover
71	PWM2500SP.E69	Air Cleaner Set
72	PWM2500SP.E72	Oil Tube Clip
73	PWM2500SP.E73	Oil Tube (4x8x150)
75	PWM2500SP.E75	Screw (M6x28)
76	PWM2500SP.E76	Fuel Tank Joint
77	PWM2500SP.E77	Fuel Tank
78	PWM2500SP.E78	Fuel Tank Cap
79	PWM2500SP.E79	Fuel Filter
80	PWM2500SP.E80	Tapping Screw (M5x8)
81	PWM2500SP.E81	Muffler Protector
82	PWM2500SP.E82	Muffler
83	PWM2500SP.E83	Spark Arrester
84	SN8.S	Nut M8
85	PWM2500SP.E85	Muffler Gasket
86	PWM2500SP.E86	Crankshaft Complete
87	PWM2500SP.E87	Screw (M6x12)
88	PWM2500SP.E88	Ratchet Guide Plate
89	PWM2500SP.E89	Screw (M6x12)
90	PWM2500SP.E90	Screw (M6x12)
91	PWM2500SP.E91	Crankcase Cover Ass'y
92	PWM2500SP.E92	Screw (M6x21)
93	PWM2500SP.E93	Carburetor Ass'y
94	PWM2500SP.E94	Fuel Tank
95	PWM2500SP.E95	Fuel Tank Support
96	PWM2500SP.E96	Muffler Ass'y

NOTE: It is our policy to continually improve products and as such we reserve the right to alter data, specifications and component parts without prior notice. There may be alternative versions of this product, please contact us should you require this information.

IMPORTANT: No liability is accepted for incorrect use of product. Spare parts must be fitted by a competent person

WARRANTY: Guarantee is 12 months from purchase date, proof of which will be required for any claim.

Sealey Group, Kempson Way, Suffolk Business Park, Bury St Edmunds, Suffolk. IP32 7AR



01284 757500



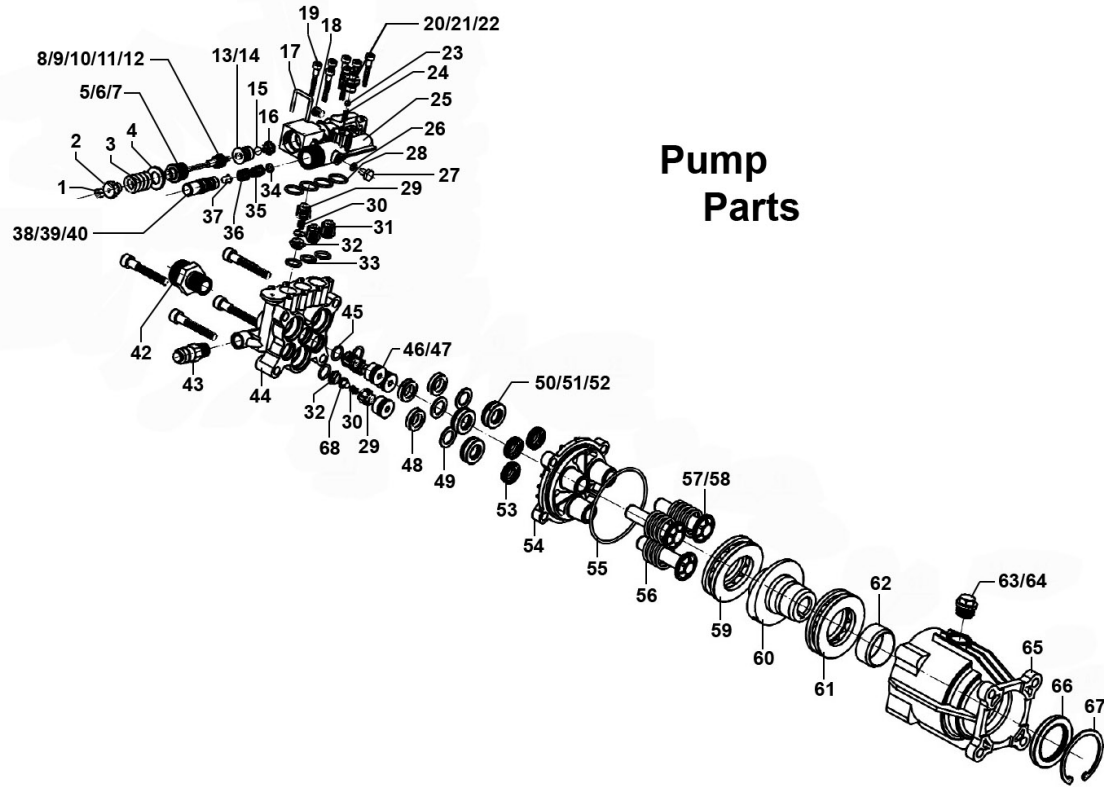
01284 703534



sales@sealey.co.uk



www.sealey.co.uk



Item	Part No.	Description
1	SN5.S	Nut M5
2	PWM2500.P02	Adjusting Pressure Nut
3	PWM2500.P03	Adjusting Pressure Spring Dia 18.4mm
4	PWM2500.P04	Washer M12 (Pressure Adjusting)
5	PWM2500.P05	Valve Cover
6	SA19S.V2-17	O-Ring, (Ex: 19.16 In: 15.60 Cs: 1.78)
7	840.V2-M18	O-Ring, (Ex: 15.98 In: 12.42 Cs: 1.78)
8	PWM2500.P08	Valve Rod Ass'y
9	PWM2500.P09	Split Ring (A)
10	SA802.23	O-Ring, (Ex: 9.63 In: 6.07 Cs: 1.78)
11	PWM2500.P11	Split Ring (B)
12	SA57.32	O-Ring, (Ex: 12.29 In: 8.73 Cs: 1.78)
13	PWM2500.P13	Upper Cover
14	DH03.V2-39	O-Ring, (Ex: 12.81 In: 9.25 Cs: 1.78)
15	SB-70	Steel Ball 7mm
16	PWM2500.P16	Valve seat
17	PWM2500.P17	U-pin
18	PWM2500.P18	Screw
19	SCB530.SB	Socket Cap Bolt Black M5x30
20	PWM2500.P20	Valve Body
21	PWM2500.P21	O-Ring, (Ex: 7 In: 4 Cs: 1.50)

Item	Part No.	Description
22	3000LJ.V2-P20	O-Ring (8x1.8)
23	SB-5.0	Steel Ball 5mm
24	PWM2500.P24	Injector Spring Tapered
25	PWM2500.P25	Drain Hose 11mm x 13mm x 260mm
26	PWM2500.P26	O-Ring, (Ex: 7.86 In: 4.54 Cs: 1.66)
27	PWM2500.P27	Locating Bolt
28	SA19S.V2-17	O-Ring, (Ex: 19.16 In: 15.60 Cs: 1.78)
29	PWM2500.P29	Check Valve
30	PWM2500.P30	Check Valve Spring Dia 6.5mm
31	PWM2500.P31	Check Valve Washer
32	PWM2500.P32	Check Valve Seat
33	PWM2500.P33	O-Ring, (Ex: 14.67 In: 11.11 Cs: 1.78)
34	PWM2500SP.P35	O-Ring (5x2)
35	PWM2500.P35	Non-Return Valve Rod
36	PWM2500.P36	Non-Return Valve Spring Dia 10.7mm
37	PWM2500.P37	Copper Cover
38	PWM2500.P38	Venturi Tube
39	DH03.V2-39	O-Ring, (Ex: 12.81 In: 9.25 Cs: 1.78)
40	GSA08.09-4	O-Ring, (Ex: 11.21 In: 7.65 Cs: 1.78)
41	SCB850.SB	Socket Cap Bolt M8x50 Black
42	PWM2500.P42	Inlet Water Connector

NOTE: It is our policy to continually improve products and as such we reserve the right to alter data, specifications and component parts without prior notice. There may be alternative versions of this product, please contact us should you require this information.

IMPORTANT: No liability is accepted for incorrect use of product. Spare parts must be fitted by a competent person

WARRANTY: Guarantee is 12 months from purchase date, proof of which will be required for any claim.



Parts Information:
Pressure Washer 220bar 600L/hr 6.5hp
Petrol
Model No: PWM2500

Item	Part No.	Description
43	PWM2500.P43	Thermal Relief Cap
44	PWM2500.P44	Pump Cover
45	PWM2500.P45	O-Ring, (Ex: 15.65 In: 11.65 Cs: 2)
46	SA19S.V2-17	O-Ring, (Ex: 19.16 In: 15.60 Cs: 1.78)
47	PWM2500.P47	Check Valve Nut
48	PWM2500.P48	Y-Seal
49	PWM2500.P49	Seal Ring 14mm ID
50	PWM2500.P50	Water Seal Cover
51	AVR2500A.P22	O-Ring, (Ex: 19.18 In: 13.94 Cs: 2.62)
52	AK453X.V3-P38	O-Ring, (Ex: 27.08 In: 23.52 Cs: 1.78)
53	PWM2500.P53	Piston Oil Seal
54	PWM2500.P54	Pump Seat
55	SJBEX200LP30N	O-Ring, (Ex: 81.11 In: 75.87 Cs: 2.62)

Item	Part No.	Description
56	PWM2500.P56	Piston Spring Dia 28mm
57	PWM2500.P57	Piston
58	PWM2500.P58	Piston Spring Seat
59	B/51307A	Thrust Bearing (51307a)
60	PWM2500.P60	Wobble Plate
61	B/51307B	Thrust Bearing 51307b
62	PWM2500.P62	Cam Cover
63	PWM2500.P63	Plug
64	PWM2500SP.P28	O-Ring (15.4x1.8)
65	PWM2500.P65	Back Housing
66	PWM2500.P66	Oil Seal Brown 8*9*39.8*55
67	PWM2500.P67	Internal Circlip 59.7mm OD.
68	PWM2500.P68	Check Valve Rod

NOTE: It is our policy to continually improve products and as such we reserve the right to alter data, specifications and component parts without prior notice. There may be alternative versions of this product, please contact us should you require this information.

IMPORTANT: No liability is accepted for incorrect use of product. Spare parts must be fitted by a competent person

WARRANTY: Guarantee is 12 months from purchase date, proof of which will be required for any claim.

Sealey Group, Kempson Way, Suffolk Business Park, Bury St Edmunds, Suffolk. IP32 7AR



01284 757500



01284 703534



sales@sealey.co.uk



www.sealey.co.uk