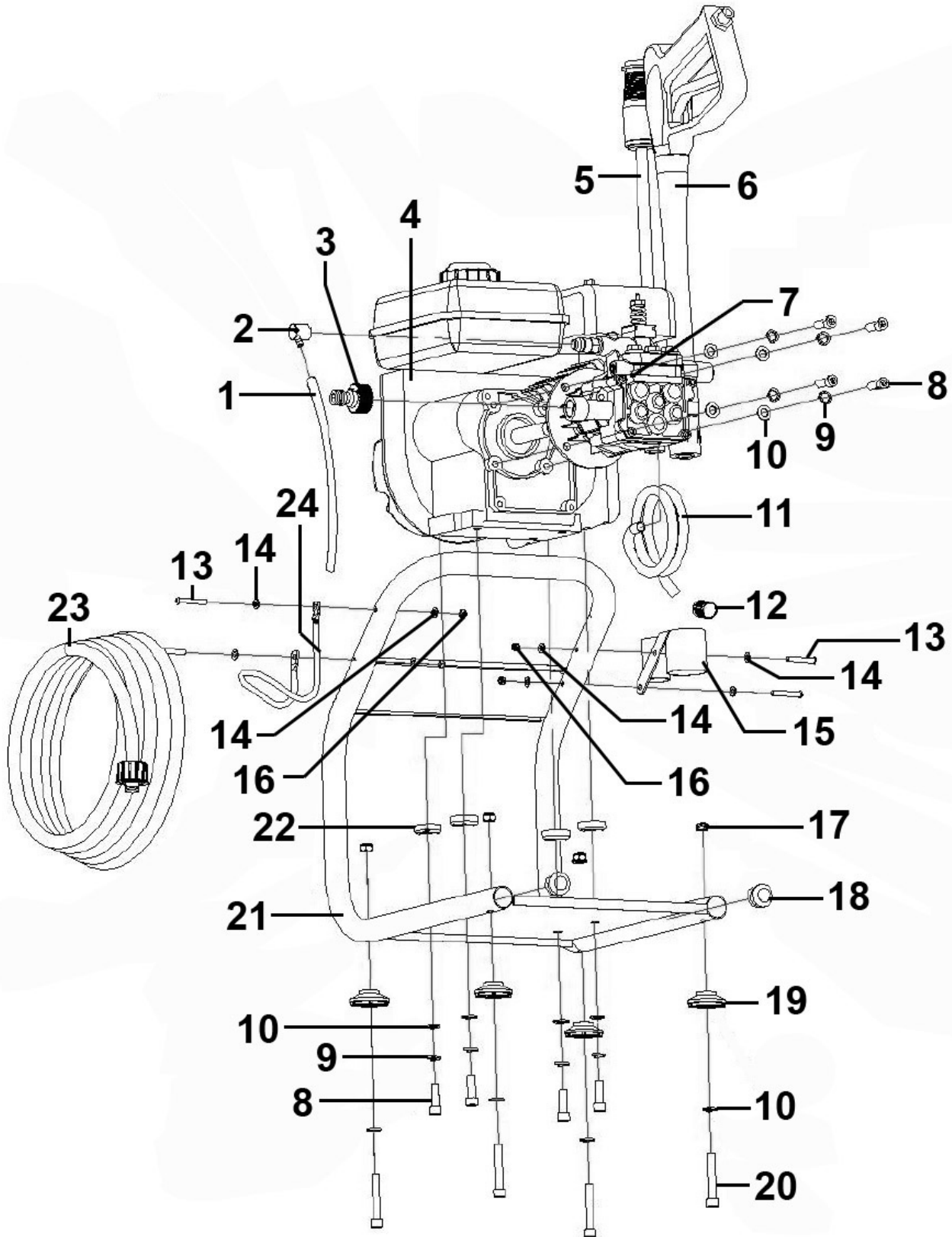




Parts Information:
Pressure Washer 130bar 420L/hr 2.4hp
Petrol
Model No: PWM1300



NOTE: It is our policy to continually improve products and as such we reserve the right to alter data, specifications and component parts without prior notice. There may be alternative versions of this product, please contact us should you require this information.

IMPORTANT: No liability is accepted for incorrect use of product. Spare parts must be fitted by a competent person

WARRANTY: Guarantee is 12 months from purchase date, proof of which will be required for any claim.

Sealey Group, Kempson Way, Suffolk Business Park, Bury St Edmunds, Suffolk. IP32 7AR



01284 757500



01284 703534



sales@sealey.co.uk



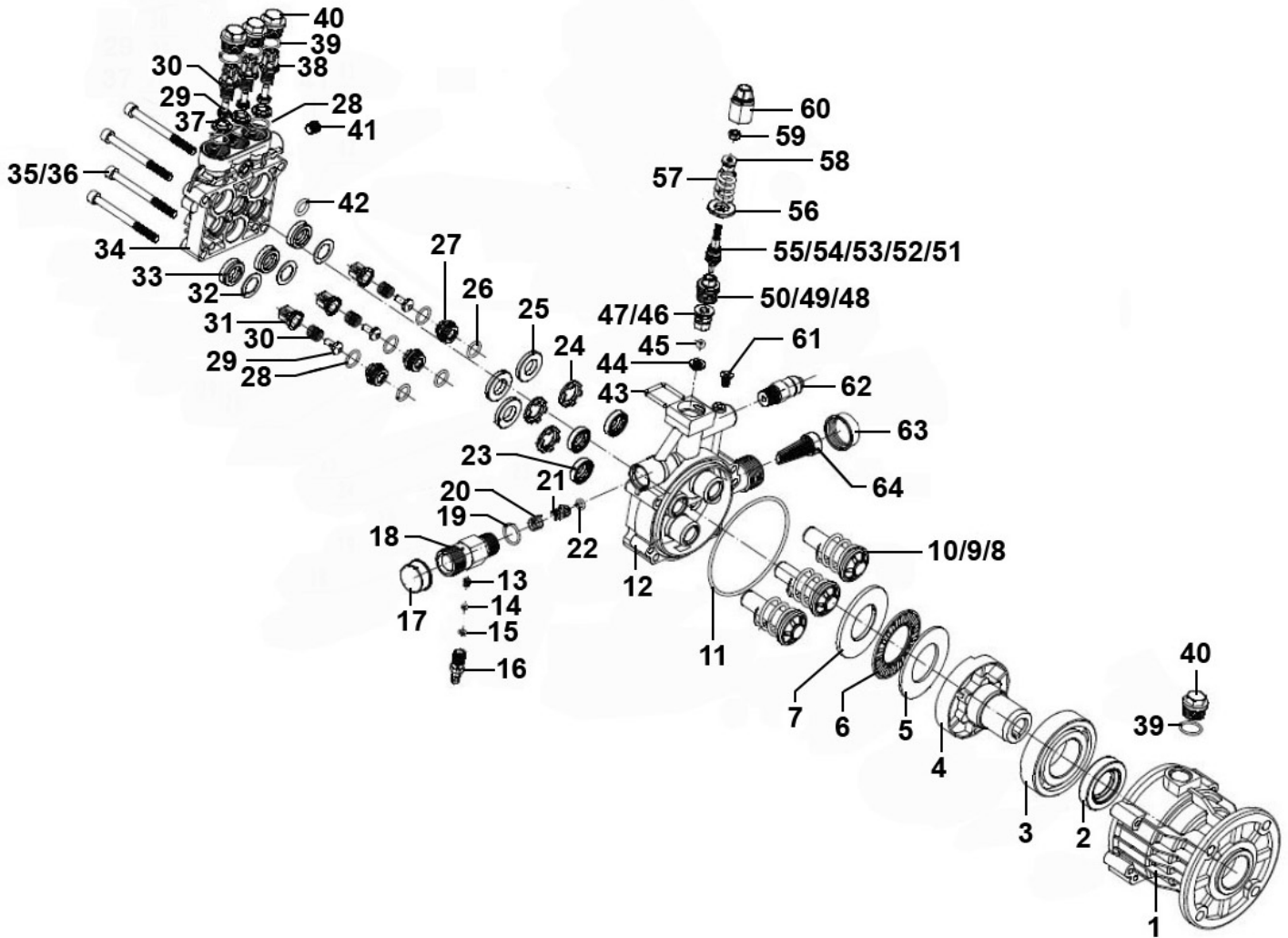
www.sealey.co.uk



Parts Information:
**Pressure Washer 130bar 420L/hr 2.4hp
 Petrol
 Model No: PWM1300**

Item	Part No.	Description
1	PWM1300.01	Drain Hose 10mm x 13mm x 260mm
2	PWM1300.02	Thermal Relief Cap
3	PWM1300.03	Water Inlet Connector
4	PWM1300.04	Engine (External 4 Stroke 1 Cylinder Petrol 2.4hp 87cc)
5	PWM1300.05	Pressure Gun Lance
6	PWM1300.06	High Pressure Gun
7	PWM1300.07	Pump Assembly
8	PWM1300.08	Hex Bolt (M8x25)
9	PWM1300.09	Spring Washer
10	FWM8.S	Flat Washer M8 Zinc
11	PWM1300.11	Injection Hose
12	PWM1300.12	Injection Filter

Item	Part No.	Description
13	PWM1300.13	Cross Bolt M5 x 35
14	PWM1300.14	Washer
15	PWM1300.15	Gun Holder
16	NLN5.S	Nyloc Nut M5 Zinc
17	NLN8.S	Nyloc Nut M8 Zinc
18	PWM1300.18	Rubber Plug
19	PWM1300.19	Rubber Foot
20	SCB840.SB	Socket Cap Bolt M8 x 40mm Black
21	PWM1300.21	Frame
22	PWM1300.22	Engine Support
23	PWM1300.23	Hose (M22/14mm-gun end 13mm f) 5m Long
24	PWM1300.24	Hose Hook



NOTE: It is our policy to continually improve products and as such we reserve the right to alter data, specifications and component parts without prior notice. There may be alternative versions of this product, please contact us should you require this information.

IMPORTANT: No liability is accepted for incorrect use of product. Spare parts must be fitted by a competent person

WARRANTY: Guarantee is 12 months from purchase date, proof of which will be required for any claim.

Sealey Group, Kempson Way, Suffolk Business Park, Bury St Edmunds, Suffolk. IP32 7AR



01284 757500



01284 703534



sales@sealey.co.uk



www.sealey.co.uk



Parts Information:
**Pressure Washer 130bar 420L/hr 2.4hp
 Petrol
 Model No: PWM1300**

Item	Part No.	Description
1	PWM1300.P01	Housing
2	PWM1300.P02	Oil Seal
3	B/6207	Bearing 6207
4	PWM1300.P04	Cam
5	PWM1300.P05	Roller Gasket
6	PWM1300.P06	Roller Bearing Race
7	PWM1300.P07	Cover Plate
8	PWM1300.P08	Piston Spring Dia 28mm
9	PWM1300.P09	Piston
10	PWM1300.P10	Spring Seat
11	PWM1300.P11	O-Ring, (Ex: 88.74 In: 83.96 Cs: 2.39)
12	PWM1300.P12	Pump Seat
13	PWM1300.P13	Spring Conical
14	PWM1300.P14	Steel Ball 5mm
15	PWM1300.P15	O-Ring, (Ex: 7.10 In: 4.04 Cs: 1.53)
16	PWM1300.P16	Check Valve Body
17	PWM1300.P17	Water Outlet Cover
18	PWM1300.P18	Water Outlet Connector
19	SA19SV2-17	O-Ring, (Ex: 19.16 In: 15.60 Cs: 1.78)
20	PWM1300.P20	Non Return Valve Spring 10.7mm
21	PWM1300.P21	Non-Return Valve Rod
22	AK458DX.V4-20	O-Ring, (Ex: 8.84 In: 5.28 Cs: 1.78)
23	PWM1300.P23	Sealing Ring
24	PWM1300.P24	Support Gasket
25	PWM1300.P25	Washer
26	SA342.12	O-Ring, (Ex: 14.38 In: 10.82 Cs: 1.78)
27	PWM1300.P27	Valve Seat
28	PWM2500.P07	O-Ring 12.4x1.8mm
29	PWM1300.P29	Check Valve Core
30	PWM1300.P30	Valve Spring Dia 10.2mm
31	PWM1300.P31	Valve Cover
32	PWM1300.P32	Teflon Gasket

Item	Part No.	Description
33	PWM1300.P33	Seal 14*22*5.5
34	PWM1300.P34	Pump Head
35	SCB670.SB	Socket Cap Bolt Black M6x70
36	PWM1300.P36	Spring Washer
37	PWM1300.P37	Valve Seat
38	PWM1300.P38	Valve Cover
39	SA19SV2-17	O-Ring, (Ex: 19.16 In: 15.60 Cs: 1.78)
40	PWM1300.P40	Plug Screw
41	PWM1300.P41	Grub Screw
42	SA695.13	O-Ring, (Ex: 16.01 In: 10.77 Cs: 2.62)
43	PWM1300.P43	U-Pin
44	PWM1300.P44	Lower Seat
45	PWM1300.P45	Steel Ball 7mm
46	PWM1300.P46	Upper Seat
47	DH03.V2-39	O-Ring, (Ex: 12.81 In: 9.25 Cs: 1.78)
48	PWM1300.P48	Valve Sleeve
49	PWM2500.P06	O-Ring 14x1.8
50	PWM1300.P50	O-Ring, (Ex: 15.67 In: 12.62 Cs: 1.53)
51	PWM1300.P51	Valve Rod Assembly
52	PWM1300.P52	Clip Ring (Small)
53	SA802.23	O-Ring, (Ex: 9.63 In: 6.07 Cs: 1.78)
54	PWM1300.P54	Clip Ring (Large)
55	DH03.V2-39	O-Ring, (Ex: 12.81 In: 9.25 Cs: 1.78)
56	PWM1300.P56	Pressure Adjusting Gasket
57	PWM1300.P57	Pressure Adjusting Spring 16.6mm
58	PWM1300.P58	Pressure Adjusting Nut
59	SN5.S	Steel Nut M5 Zinc
60	PWM1300.P60	Valve Sheath
61	PWM1300.P61	Bolt M6x10mm
62	PWM1300.P62	Thermal Relief Cap
63	PWM1300.P63	Water Inlet Cover
64	PWM1300.P64	Inlet Filter

NOTE: It is our policy to continually improve products and as such we reserve the right to alter data, specifications and component parts without prior notice. There may be alternative versions of this product, please contact us should you require this information.

IMPORTANT: No liability is accepted for incorrect use of product. Spare parts must be fitted by a competent person

WARRANTY: Guarantee is 12 months from purchase date, proof of which will be required for any claim.

Sealey Group, Kempson Way, Suffolk Business Park, Bury St Edmunds, Suffolk. IP32 7AR



01284 757500



01284 703534

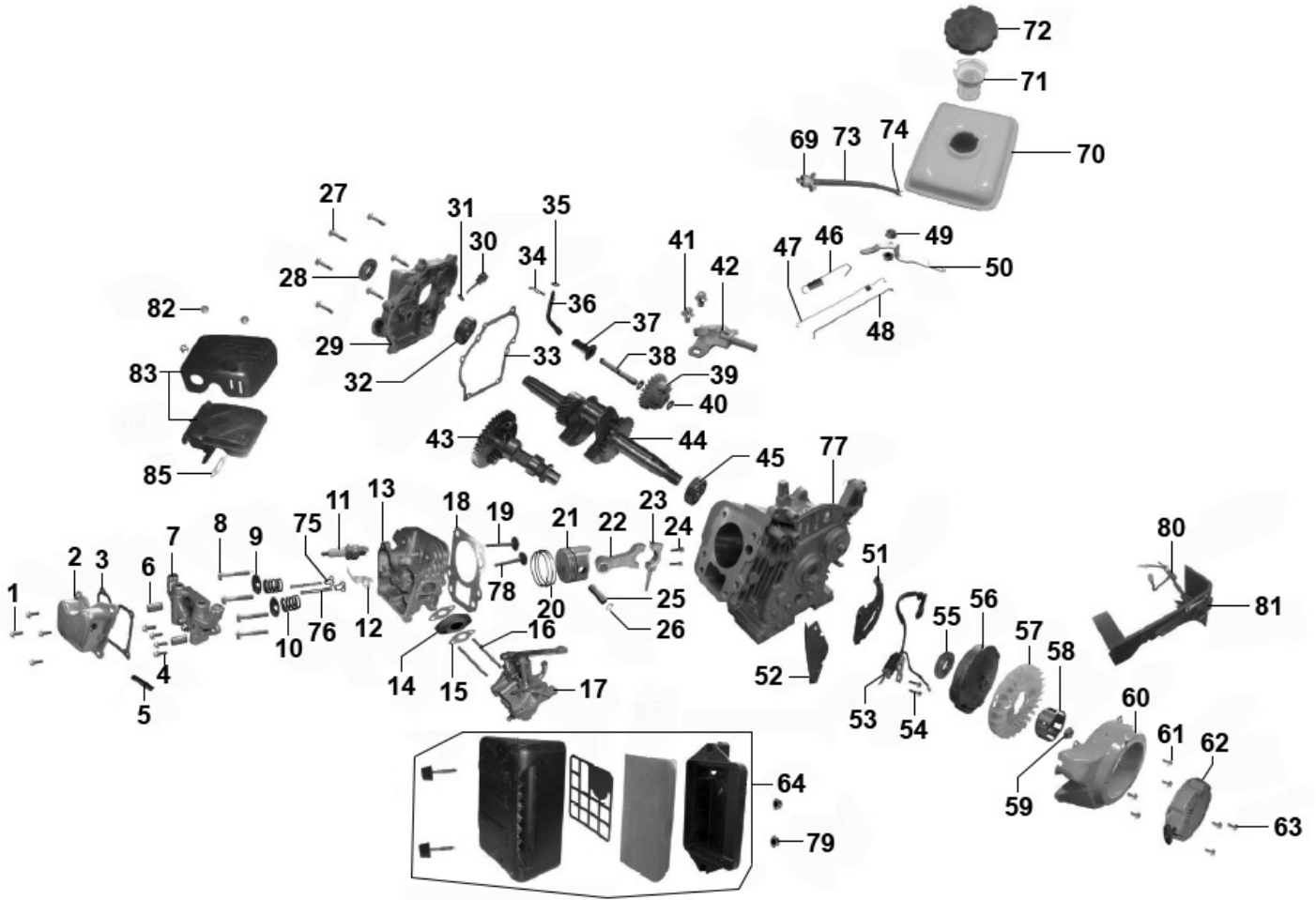


sales@sealey.co.uk



www.sealey.co.uk

Parts Information:
Pressure Washer 130bar 420L/hr 2.4hp
Petrol
Model No: PWM1300



Item	Part No.	Description
1	PWM1300.E01	Hex Flange Bolt
2	PWM1300.E02	Head Cover
3	PWM1300.E03	Head Gasket
4	PWM1300.E04	Hex Flange Bolt
5	PWM1300.E05	Breather Tube
6	PWM1300.E06	Dowel Pin
7	PWM1300.E07	Rocker Arm
8	PWM1300.E08	Cylinder Head Bolt
9	PWM1300.E09	Valve Spring Retainer
10	PWM1300.E10	Valve Spring
11	PWM1300.E11	Spark Plug(E6TC)
12	PWM1300.E12	Guide Plate
13	PWM1300.E13	Cylinder Head
14	PWM1300.E14	Carburetor Insulator

Item	Part No.	Description
15	PWM1300.E15	Carburetor Gasket
16	PWM1300.E16	Stud Bolt
17	PWM1300.E17	Carburetor Assembly
18	PWM1300.E18	Cylinder Head Gasket
19	PWM1300.E19	Exhaust Valve
20	PWM1300.E20	Piston Ring Set
21	PWM1300.E21	Piston
22	PWM1300.E22A	Con-Rod
24	PWM1300.E24	Hex Flange Bolt
25	PWM1300.E25	Piston Pin
26	PWM1300.E26	Piston Pin Clip
27	PWM1300.E27	Flange Bolt
28	PWM1300.E28	Oil Seal
29	PWM1300.E29	Crankcase Cover

NOTE: It is our policy to continually improve products and as such we reserve the right to alter data, specifications and component parts without prior notice. There may be alternative versions of this product, please contact us should you require this information.

IMPORTANT: No liability is accepted for incorrect use of product. Spare parts must be fitted by a competent person

WARRANTY: Guarantee is 12 months from purchase date, proof of which will be required for any claim.



Parts Information:
Pressure Washer 130bar 420L/hr 2.4hp
Petrol
Model No: PWM1300

Item	Part No.	Description
30	PWM1300.E30	Oil Level Indicator
31	PWM1300.E31	Rubber Gasket
32	B/6303	Bearing 6303
33	PWM1300.E33	Head Cover Gasket
34	PWM1300.E34	Rocker Spring Lock
35	PWM1300.E35	Rocker Gasket
36	PWM1300.E36	Regulator Arm
37	PWM1300.E37	Sliding Sleeve
38	PWM1300.E38	Rocker
39	PWM1300.E39	Governor Gear Assembly
40	PWM1300.E40	Governor Gear Gasket
41	PWM1300.E41	Pan Head Screw
42	PWM1300.E42	Power Governor Set Assembly
43	PWM1300.E43	Camshaft Assembly
44	PWM1300.E44	Crankshaft Ass'y
45	B/6203	Bearing 6203
46	PWM1300.E46	Governor Spring Dia 7mm.
47	PWM1300.E47	Throttle Spring Dia 6mm
48	PWM1300.E48	Throttle Arm
49	PWM1300.E49	Fuel Tank Filter
50	PWM1300.E50	Governor Arm
51	PWM1300.E51	Flywheel Side Plate
52	PWM1300.E52	Flywheel Side Plate
53	PWM1300.E53	Ignition Ass'y
54	PWM1300.E54	Hex Flange Bolt
55	PWM1300.E55	Oil Seal

Item	Part No.	Description
56	PWM1300.E56	Flywheel Assembly
57	PWM1300.E57	Cooling Fan
58	PWM1300.E58	Wheel Sleeve
59	PWM1300.E59	Flywheel Nut
60	PWM1300.E60	Fan Cover
61	PWM1300.E61	Hex Flange Bolt
62	PWM1300.E62	Recoil Starter Ass'y
63	PWM1300.E63	Hex Flange Bolt
64	PWM1300.E64	Air Cleaner Ass'y
69	PWM1300.E69	Fuel Tank On/Off Valve C/w Filter
70	PWM1300.E70	Fuel Tank
71	PWM1300.E71	Fuel Tank Filter
72	PWM1300.E72	Fuel Tank Cap
73	PWM1300.E73	Fuel Pipe
74	PWM1300.E74	Spring Lock
75	PWM1300.E75	Intake Valve Seat
76	PWM1300.E76	Intake Valve
77	PWM1300.E77	Crankcase
78	PWM1300.E78	Exhaust Valve
79	PWM1300.E79	Hex Flange Nut
80	PWM1300.E80	Wire Clip
81	PWM1300.E81	Governor Seat Bracket
82	PWM1300.E82	Pan Head Screw
83	PWM1300.E83	Muffler Ass'y
85	PWM1300.E85	Muffler Gasket
--	PWM1300.E38A	Sliding Sleeve Axle (Not Shown)

NOTE: It is our policy to continually improve products and as such we reserve the right to alter data, specifications and component parts without prior notice. There may be alternative versions of this product, please contact us should you require this information.

IMPORTANT: No liability is accepted for incorrect use of product. Spare parts must be fitted by a competent person

WARRANTY: Guarantee is 12 months from purchase date, proof of which will be required for any claim.

Sealey Group, Kempson Way, Suffolk Business Park, Bury St Edmunds, Suffolk. IP32 7AR



01284 757500



01284 703534



sales@sealey.co.uk



www.sealey.co.uk