

Item	Part No.	Description
1	PWDM3600.01	Screw (M5x42)
2	PWDM3600.02	Gun Hook
3	FWM6.S	Flat Washer M6 Zinc
4	NLN6.S	Nyloc Nut M6 Zinc
5	PWDM3600.05	Upper Frame
6	PWDM3600.06	Hose Hook
7	PWDM3600.07	Hose (M15 F Q/R-15mm)5m Long
8	MSP640.S	Machine Screw Pan Head M6 x 40mm
9	FWM6.S	Flat Washer M6 Zinc
10	NLN6.S	Nyloc Nut M6 Zinc

Item	Part No.	Description
11	PWDM3600.11	Frame Base
12	PWDM3600.12	Engine (External 4 Stroke 1 Cylinder Diesel 10hp 418cc)
13	PWDM3600.13	Guide Wire/Wiring Loom
14	PWDM3600.14	Switch, Green Press Button (3A-240V)
15	NLN10.S	Nyloc Nut M10 Zinc
16	FWM10.S	Flat Washer M10 Zinc
17	PWDM3600.17	Wheel Axle: Spring Release, Circlip Fitting
18	PWDM3600.18	Wheel 4.10x3.50-4 16mm Bore
19	MSP612.S	Machine Screw Pan Head Phillips M6 X 12mm

NOTE: It is our policy to continually improve products and as such we reserve the right to alter data, specifications and component parts without prior notice. There may be alternative versions of this product, please contact us should you require this information.

IMPORTANT: No liability is accepted for incorrect use of product. Spare parts must be fitted by a competent person

WARRANTY: Guarantee is 12 months from purchase date, proof of which will be required for any claim.



Parts Information:
Pressure Washer 290bar 900L/hr 10hp
Diesel
Model No: PWDM3600

Item	Part No.	Description
20	FWM16.S	Flat Washer M16 Zinc
21	MSP512.S	Machine Screw Pan Head Phillips M5 X 12mm
22	MC4500.P5	Ext Circlip 18.2mm OD.
23	PWDM3600.23	Spring Clip
24	PWDM3600.24	Clip
25	SCB1055.S	Socket Cap Bolt M10 x 55mm
26	PWDM3600.26	Screw (M3x8)
27	PWDM3600.27	Valve Plate
28	PWDM3600.28	Cover Plate For Switch
29	PWDM3600.29	Rubber Mount
30	PWDM3600.30	Rubber Foot
31	RS125.12	Battery, 12v, 22ah/264wh (lead acid)(H:165 W:180 B:75)
32	PWDM3600.32	Hex Screw (M8x30)
33	PWDM3600.33	Flat Washer (8mm)
34	PWDM3600.34	Spring Washer
35	PWDM3600.35	Pump Assembly
36	PWDM3600.36	Battery Strap
37	MSP642.S	Machine Screw Pan Head Phillips M6 x 42mm
38	PWDM3600.38	Panel

Item	Part No.	Description
39	PWDM3600.39	Nozzle Holder
40	PWDM3600.40	Nozzle (40G,40R,40Y,40W,40B)
40	PWDM3600.40B	Nozzle (Black)
40	PWDM3600.40G	Nozzle (Green)
40	PWDM3600.40R	Nozzle (Red)
40	PWDM3600.40W	Nozzle (White)
40	PWDM3600.40Y	Nozzle (Yellow)
41	PWDM3600.41	High Pressure Gun
41L	PWDM3600.41-L	Lance Only
--	PWDM3600.SA	Switch Assembly
--	PWDM3600.DT	Detergent Tube (Not Shown)
--	PWDM3600.FT	Fuel Tank (Not Shown)
--	PWDM3600.FT01	Fuel Tank Filter (Not Shown)
--	PWDM3600.FT02	In-Line Fuel Filter (Not Shown)
--	PWDM3600.43	Oil/Fuel Filter (Not Shown)
--	PWDM3600.TB	Tool Bag (Inc. Tools) (Not Shown)
--	PWDM3600.44	12v Solenoid (Not Shown)
--	PCDM3600V2P49	Inlet Filter (Not Shown)
--	PCDM3600SERV	Service Kit
--	PWDM3600E1614	Voltage Regulator (Not Shown)

NOTE: It is our policy to continually improve products and as such we reserve the right to alter data, specifications and component parts without prior notice. There may be alternative versions of this product, please contact us should you require this information.

IMPORTANT: No liability is accepted for incorrect use of product. Spare parts must be fitted by a competent person

WARRANTY: Guarantee is 12 months from purchase date, proof of which will be required for any claim.

Sealey Group, Kempson Way, Suffolk Business Park, Bury St Edmunds, Suffolk. IP32 7AR



01284 757500



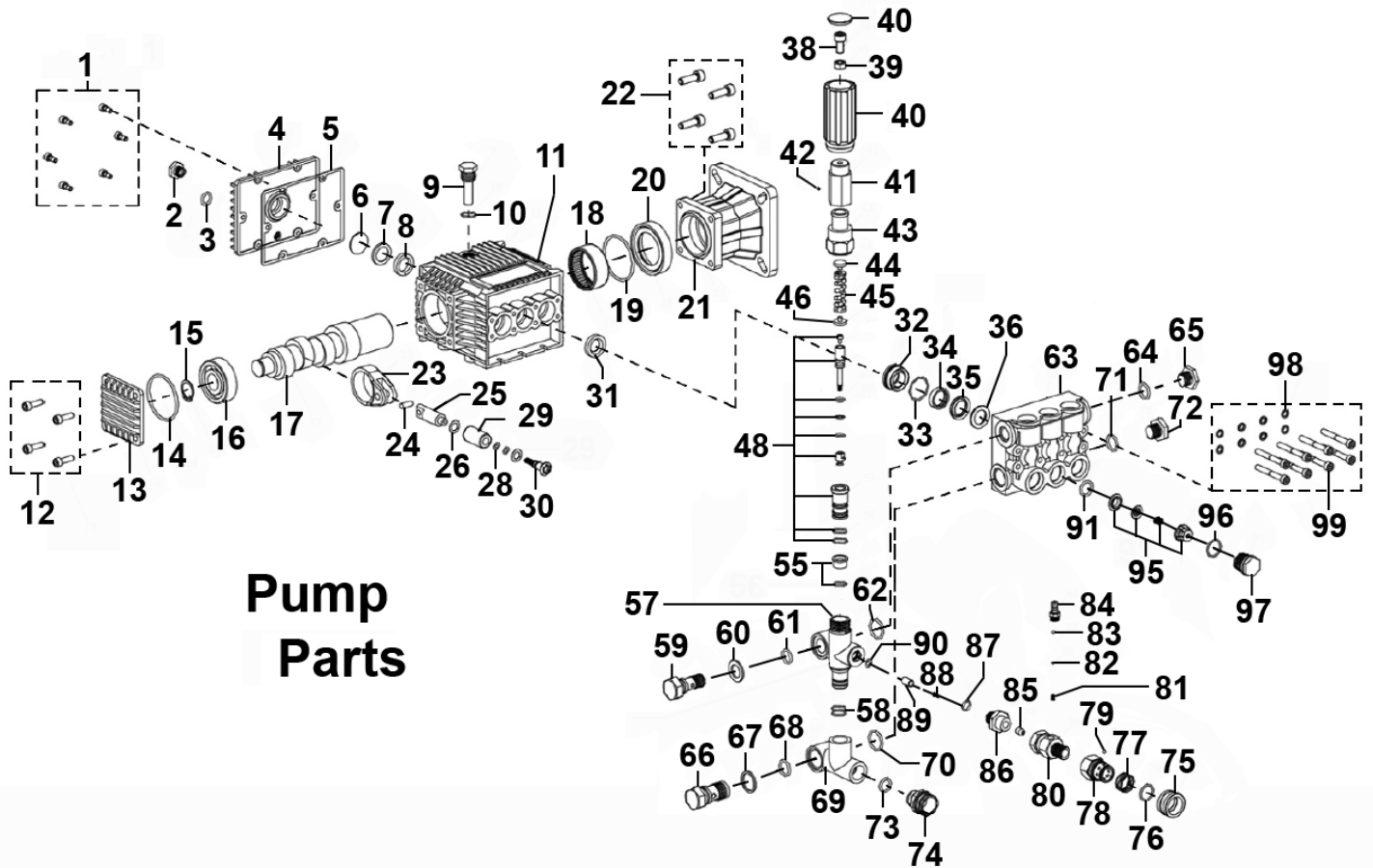
01284 703534



sales@sealey.co.uk



www.sealey.co.uk



Pump Parts

Item	Part No.	Description
1	SCB616.S	Socket Cap Bolt M6 x 16mm
2	PWDM3600.P02	Oil drain bolt ass'y
3	WK025.V2-31	O-Ring, (Ex: 14.43 In: 9.19 Cs: 2.62)
4	PWDM3600.P04	Back cover
5	PWDM3600.P05	Gasket, back cover
6	PWDM3600.P06	Oil sight
7	PWDM3600.P07	Oil sight rubber washer
8	PWDM3600.P08	Oil sight cap
9	PWDM3600.P09	Oil inlet plug ass'y
10	PWDM3600.P10	O-ring, (Ex: 18.12 In: 14.10 Cs: 2.01)
11	PWDM3600.P11	Crankcase
12	PWDM3600.P12	Fixed bolt, crankshaft cover
13	PWDM3600.P13	Crankshaft cover
14	PWDM3600.P14	O-ring, (Ex: 57.45 In: 52.80 Cs: 2.33)
15	PT2200.336	External Circlip 18.4mm ID
16	B/6304	Bearing 6304
17	PWDM3600.P17	Crankshaft
18	B/NK42/20	Roller Bearing

Item	Part No.	Description
19	PWDM3600.P19	O-Ring, (Ex: 57.31 In: 52.07 Cs: 2.62)
20	PWDM3600.P20	Oil Seal, Crankshaft
21	PWDM3600.P21	Flange
22	SCB820.S	Socket Cap Bolt M8 x 20mm
23	PWDM3600.P23	Connecting Rod
24	PWDM3600.P24	Connecting Rod Pin
25	PWDM3600.P25	Plunger Rod
26	PWDM3600.P26	Copper Washer
27	PWDM3600.P27	Ceramic Plunger
28	PWDM3600.P28	O-Ring, (Ex: 8.32 In: 4.76 Cs: 1.78)
29	PWDM3600.P29	Copper Washer
30	PWDM3600.P30	Plunger Screw Cap
31	PWDM3600.P31	Cap, Water Seal
32	PWDM3600.P32	Water Seal (Brass)
33	PWDM3600.P33	Fibre Ring, Water Seal
34	PWDM3600.P34	Cup Seal 18*25.4*5.4
35	PWDM3600.P35	Water Seal Hard Plastic
36	PWDM3600.P35A	Brass seat , Water Seal

NOTE: It is our policy to continually improve products and as such we reserve the right to alter data, specifications and component parts without prior notice. There may be alternative versions of this product, please contact us should you require this information.

IMPORTANT: No liability is accepted for incorrect use of product. Spare parts must be fitted by a competent person

WARRANTY: Guarantee is 12 months from purchase date, proof of which will be required for any claim.



Parts Information:
**Pressure Washer 290bar 900L/hr 10hp
 Diesel**
Model No: PWDM3600

Item	Part No.	Description
37	PWDM3600.P36	Supporting Ring (Brass)
38	PWDM3600.P38	Countersunk Screw
39	PWDM3600.P39	Washer, Pressure Adjusting Handle
40	PWDM3600.P40	Pressure Adjusting Handle
41	PWDM3600.P41	Pressure Adjusting Handle Cover
42	PWDM3600.P42	Fixed Screw, Pressure Adjusting Handle
43	PWDM3600.P43	Pressure Adjusting Seat
44	PWDM3600.P44	Upper Gasket, Pressure Adjusting Spring
45	PWDM3600.P45	Pressure Adjusting Spring Dia 14.9mm
46	PWDM3600.P46	Pressure Adjusting Spring Gasket
48	PWDM3600.P48	Pressure Adj. Valve Core Ass'y
55	PWDM3600.P55	Pressure Adjusting Cover Ass'y
57	PWDM3600.P57	Water Outlet (Tee-Connector)
58	PWDM3600.P58	O-Ring, (Ex: 15.35 In: 11.65 Cs: 1.85)
59	PWDM3600.P59	Fixed Bolt, Water Outlet (Tee-Connector)
60	PWDM3600.P60	Washer, Water Outlet (Tee-Connector) Bolt
61	PWDM3600.P61	O-Ring, (Ex: 15.40 In: 11.38 Cs: 2.01)
62	PWDM3600.P62	Copper Washer
63	PWDM3600.P63	Cylinder Body
64	SA6005.04	O-Ring, (Ex: 17.61 In: 12.37 Cs: 2.62)
65	PWDM3600.P65	Water Outlet Plug
66	PWDM3600.P66	Fixed Bolt, Water Inlet (Tee-Connector)
67	PWDM3600.P67	Gasket, Water Inlet Tee-Connector Bolt
68	PWDM3600.P68	O-Ring, (Ex: 17.15 In: 11.91 Cs: 2.62)
69	PWDM3600.P69	Water Inlet Tee-Connector
70	PWDM3600.P70	Seal Ring

Item	Part No.	Description
71	PWDM3600.P71	O-Ring, (Ex: 21.59 In: 17.77 Cs: 1.91)
72	PWDM3600.P72	Water inlet Plug Ass'y
73	SA19S.V2-17	O-ring, (Ex: 19.16 In: 15.60 Cs: 1.78)
74	PWDM3600.P74	Water Inlet Connector
75	PWDM3600.P75	Cap, Quick Connector
76	PWDM3600.P76	Clip
77	SA695.13	O-ring, (Ex: 16.01 In: 10.77 Cs: 2.62)
78	PWDM3600.P78	Quick Connector
79	SB-4.0	Steel ball 4.00mm (use sb-4.0)
80	PWDM3600.P80	Detergent suction seat (inc pos 80)
81	PWDM3600.P81	"Detergent Suction Spring Dia 4.4mm"
82	SA77S.V4-19	O-Ring, (Ex: 8.03 In: 4.47 Cs: 1.78)
83	SB-5.0	Steel Ball
84	PWDM3600.P84	Detergent Injection Connector (C/w O-Ring)
85	PWDM3600.P85	Water Nozzle
86	PWDM3600.P86	Valve Cone Joint Ass'y
87	PWDM3600.P87	O-Ring, (Ex: 9.10 In: 4.24 Cs: 2.43)
88	PWDM3600.P88	Valve Cone Spring Dia 7.7mm
89	PWDM3600.P89	Valve Cone Ass'y
90	PWDM3600.P90	O-Ring, (Ex: 19.66 In: 15.15 Cs: 2.26)
91	PWDM3600.P91	O-Ring, (Ex: 20.46 In: 15.69 Cs: 2.39)
95	PWDM3600.P95	Check Valve Ass'y
96	10QJV3.2-29	O-Ring, (Ex: 20.78 In: 15.54 Cs: 2.62)
97	PWDM3600.P97	Check valve cap ass'y
98	PWDM3600.P98	Washer
99	SCB652.S	Socket Cap Bolt M6 X 52mm

NOTE: It is our policy to continually improve products and as such we reserve the right to alter data, specifications and component parts without prior notice. There may be alternative versions of this product, please contact us should you require this information.

IMPORTANT: No liability is accepted for incorrect use of product. Spare parts must be fitted by a competent person

WARRANTY: Guarantee is 12 months from purchase date, proof of which will be required for any claim.

Sealey Group, Kempson Way, Suffolk Business Park, Bury St Edmunds, Suffolk. IP32 7AR



01284 757500



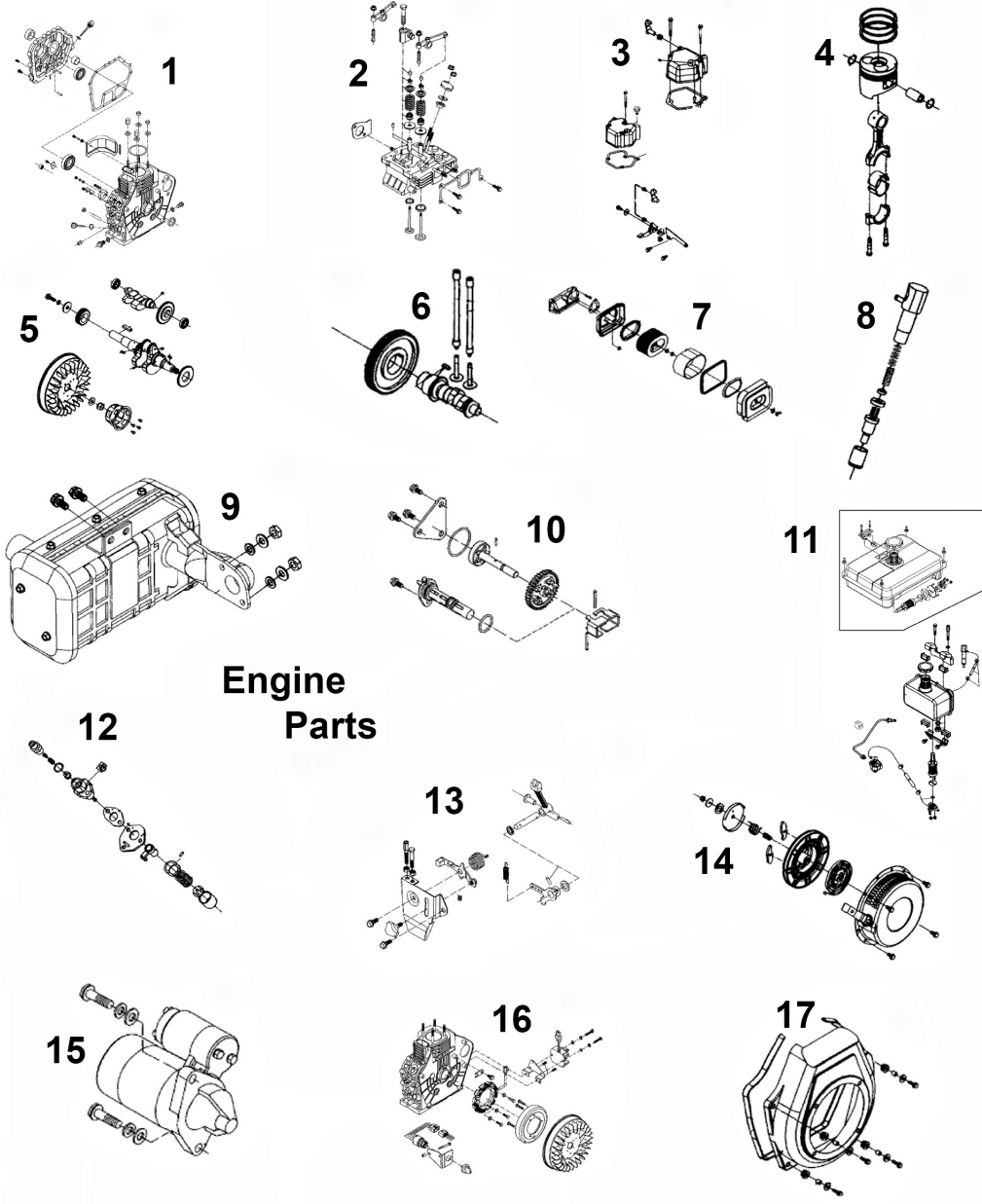
01284 703534



sales@sealey.co.uk



www.sealey.co.uk



Engine Parts

Item	Part No.	Description
1	PWDM3600.E01	Cylinder Ass'y
2	PWDM3600.E02	Cylinder Head Ass'y
3	PWDM3600.E03	Cylinder Head Cover Ass'y
4	PWDM3600.E04	Piston Connecting Rod Ass'y
5	PWDM3600.E05	Shaft Flywheel Ass'y
6	PWDM3600.E06	Camshaft Ass'y
7	PWDM3600.E07	Air Intake Ass'y
8	PWDM3600.E08	Fuel Injector Ass'y
9	PWDM3600.E09	Muffler Ass'y
10	PWDM3600.E10	Lubrication System

Item	Part No.	Description
11	PWDM3600.E11	Fuel System
12	PWDM3600.E12	Fuel Injector Pump Ass'y
13	PWDM3600.E13	Speed Regulator & Control System
14	PWDM3600.E14	Recoil Starter Ass'y
15	PWDM3600.E15	Starter Motor Ass'y
16	PWDM3600.E16	Flywheel Generator Ass'y
17	PWDM3600.E17	Fan Cover Ass'y
--	PWDM3600.E05A	Key For Crankshaft (Not Shown)
--	PWDM3600.E11A	Fuel Cap (Not Shown)

NOTE: It is our policy to continually improve products and as such we reserve the right to alter data, specifications and component parts without prior notice. There may be alternative versions of this product, please contact us should you require this information.

IMPORTANT: No liability is accepted for incorrect use of product. Spare parts must be fitted by a competent person

WARRANTY: Guarantee is 12 months from purchase date, proof of which will be required for any claim.