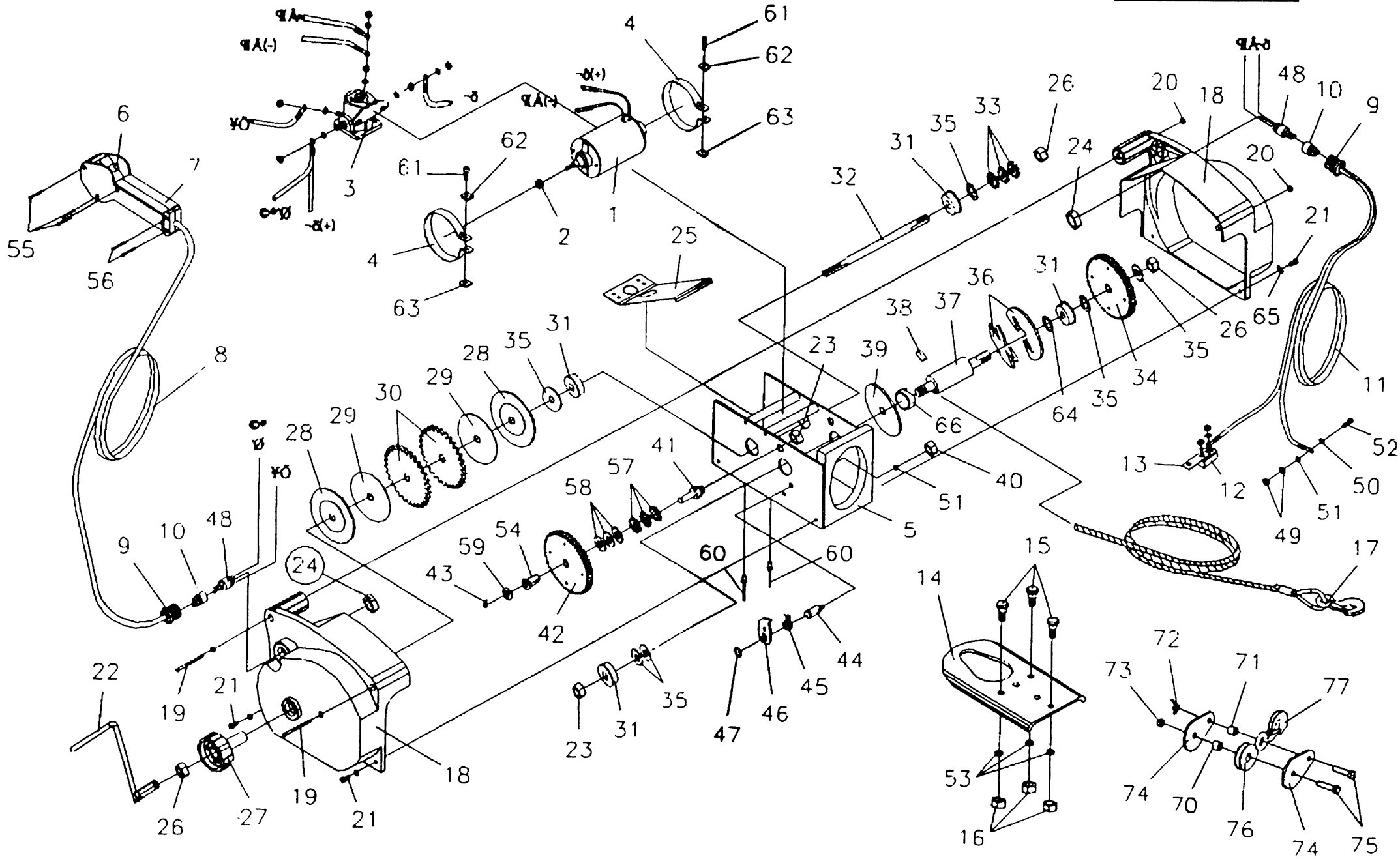


# PW5000 (12 & 24 VOLT) PARTS DIAGRAM



**SEALEY****Quality  
MACHINERY****PW5000 POWER WINCH  
PARTS LIST**

Index no.	Stock Code	Description	Qty
1	115/U06-6-0011-205	Motor, 12V	1
	115/U06-6-0012-106	Motor, 24V	1
2	115/U06-6-0243-307	Motor Gear	1
3	115/U06-6-0470-207	Solenoid, 12V	1
	115/U06-6-0470-308	Solenoid, 24V	1
4	115/U06-6-0792-209	Motor Strap	2
5	115/U06-3-0020-208	Frame	1
6	115/U06-6-0471-108	Switch for Remote	1
7	115/U06-6-0912-203	Control Housing	1
8	115/U06-6-0450-100	Remote Wire	1
9	115/U06-6-0900-105	Plug Cap	2
10	115/U06-3-0791-108	Socket	1
11	115/U06-3-0452-106	Wire Assembly	1
12	115/U06-6-0472-100	Circuit Breaker, 12V	1
	115/U06-6-0472-201	Circuit Breaker, 24V	1
13	115/U06-6-0784-109	Breaker Plate	1
14	115/U06-6-1770-204	Adaptor Plate	1
15	115/U06-6-0260-105	Plate Stud	3
16	115/U06-6-0270-108	Nut	3
17	115/U06-3-1433-107	Cable	1
18	115/U06-6-0891-100	Housing	1
19	115/609-1-0040-591	Screw	2
20	115/655-2-0040-003	Nut	2
21	115/614-1-0050-056	Cover Rods	4
22	115/U07-6-1440-109	<b>Crank Handle</b>	1
23	115/U06-6-0272-104	<b>Nut</b>	2
24	115/U06-6-0273-106	Nut	2
25	115/U06-6-0811-207	Plate	1
26	115/661-2-0127-519	<b>Nut</b>	3
27	115/U06-3-0910-201	<b>Clutch Knob</b>	1
28	115/U06-6-0786-103	<b>Clutch Plate</b>	2
29	115/U06-6-1131-109	<b>Clutch Lining</b>	2
30	115/U06-6-0242-204	<b>Clutch Gear</b>	2
31	115/611-6-0004-104	<b>Bearing</b>	4
32	115/U06-6-0321-301	<b>Rear Shaft</b>	1
33	115/U06-6-0251-205	<b>Pinion Gear</b>	4
34	115/U08-3-0240-105	<b>Drum Gear</b>	1
35	115/U06-6-0220-103	<b>Spacer</b>	4
36	115/U06-6-0782-206	<b>Drum Flange Solid</b>	1
37	115/U08-6-0320-101	<b>Drum Shaft</b>	1
38	115/U06-6-0751-205	<b>Cable Fastener</b>	1

Index no.	Stock Code	Description	Qty
39	115/U06-6-0781-204	<b>Drum Flange Solid</b>	1
40	115/U06-6-0271-100	<b>Nut</b>	1
41	115/U06-6-0230-201	<b>Compound Gear Stud</b>	1
42	115/U06-3-0240-101	Compound Gear	1
43	115/513-5-0016-018	<b>Pin</b>	1
44	115/U06-6-1470-303	<b>Pawl Stud</b>	1
45	115/U06-6-0972-201	<b>Pawl Spring</b>	1
46	115/U06-3-0810-308	<b>Pawl</b>	1
47	115/U06-6-0281-109	<b>Retainer</b>	1
48	115/U06-3-0790-106	Plug	1
49	115/651-2-0080-126	Hex Nut	2
50	115/U06-6-0222-107	Spacer	1
51	115/605-3-0080-409	<b>Spring Washer</b>	2
52	115/653-1-0080-409	Hex Stud	1
53	115/605-3-0095-307	Spring Washer	3
54	115/U06-6-0231-203	<b>Bearing for Gear Stud</b>	1
55	115/618-1-0030-241	Screw	3
56	115/618-1-0030-186	Screw	2
61	115/649-1-0050-019	Screw	2
62	115/U06-6-0830-100	Fixed Plate	2
63	115/U06-6-0831-102	Fixed Plate	2
64	115/611-3-0130-303	<b>Washer</b>	4
65	115/605-3-0050-002	Spring Washer	6
66	115/U06-6-1160-106	<b>Ring for Drum Shaft</b>	1
70	115/U06-6-0031-100	Pulley Spacer-B	1
71	115/U06-6-0030-108	Pulley Spacer-A	1
72	115/681-2-0095-013	Wing Nut	1
73	115/661-2-0095-017	Nylon Nut	1
74	115/U06-6-0785-101	Fixed Plate	2
75	115/653-1-0095-457	Hex Stud	2
76	115/U06-6-1920-106	Pulley	1
77	115/U06-6-0391-206	Safety Hook	1

Original Date: 22/11/94  
Issue Date: 24/10/96  
Version Number: 1  
Date Modified: 18/10/96

**SEALEY****Quality  
MACHINERY**