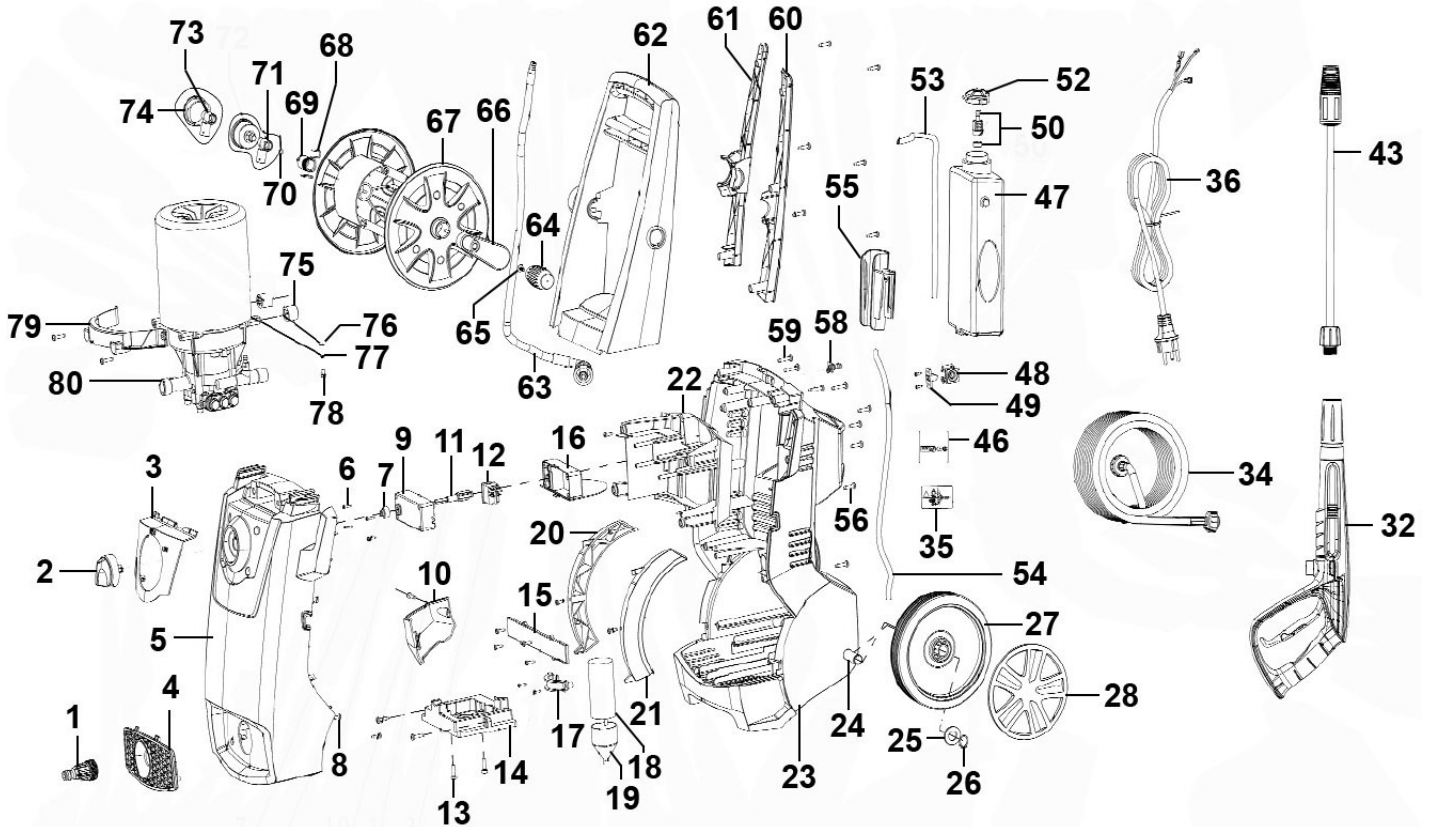


Parts Information:  
**Pressure Washer 170bar with TSS & Rotablast® Nozzle 230V**  
**Model No: PW2500**



Item	Part No.	Description
1	PW2500.01	Water Inlet Screw
2	PW2500.02	Knob For Rotary Switch
3	PW2500.03	Housing Cover For Switch
4	PW2500.04	Water Inlet Cover
5	PW2500.05	Front Housing
6	PW2500.06	Screw (St2.9x13)
7	PW2500.07	Wire Seal
8	PW2500.08	Rd Head S/T Screw M3.8 X 14 Black
9	PW2500.09	Front Housing For Switch
10	PW2500.10	Pressure Gun Holder Lower
11	PW2500.11	Lever For Rocker Switch
12	PW2500.12	Switch, On/Off Rocker (12A - 250V)
13	PW2500.13	Screw (M5x18)
14	PW2500.14	Pump Base
15	PW2500.15	Water Shutter
16	PW2500.16	Switch Box, Rear
17	PW2500.17	Capacitor Cover
18	PW2500.18	Capacitor
19	PW2500.19	Capacitor Protector
20	PW2500.20	Wheel Trim, Left

Item	Part No.	Description
21	PW2500.21	Wheel Trim, Right
22	PW2500.22	Connection Base
23	PW2500.23	Back Housing
24	PW2500.24	Shaft
25	FWM16.S	Flat Washer M16 Zinc
26	MC4500.P5	External Circlip 14.5mm ID.
27	PW2500.27	Wheel, Fixed Plastic (D:185 W:38 B:15)
28	PW2500.28	Wheel Cover
32	PW2500.32	Pressure Gun
34	PW2500.34	Hose (M22x1.5 Thread) 5m Long
35	PW2500.35	Warning Label
36	PW2500.36	Power Cord
43	PW2500.43	Lance
46	PW2500.46	Rating Label
47	PW2500.47	Detergent Tank
48	PW2500.48	Power Cable Protector
49	PW2500.49	Power Cable Grip
50	PW2500.50	Sprayer Filter
52	PW2500.52	Detergent Tank Cap
53	PW2500.53	Detergent Tank Tube

**NOTE:** It is our policy to continually improve products and as such we reserve the right to alter data, specifications and component parts without prior notice. There may be alternative versions of this product, please contact us should you require this information.

**IMPORTANT:** No liability is accepted for incorrect use of product. Spare parts must be fitted by a competent person

**WARRANTY:** Guarantee is 12 months from purchase date, proof of which will be required for any claim.



Parts Information:  
**Pressure Washer 170bar with TSS &  
 Rotablast® Nozzle 230V  
 Model No: PW2500**

Item	Part No.	Description
54	PW2500.54	Detergent Tube (Inner)
55	PW2500.55	Pressure Gun Holder Upper
56	PW2500.56	Screw (St4.8x20)
58	PW2500.58	Detergent Tube Connection
59	PW2500.59	Rd Head S/T Screw M4.8 X 24 Black
60	PW2500.60	Hose Reel Support, Right
61	PW2500.61	Hose Reel Support, Left
62	PW2500.62	Handle
63	PW2500.63	High Pressure Hose (Inner)18mm x 730mm
64	PW2500.64	Hose Reel Handle Grip
65	PW2500.65	Rd Head S/T Screw M4.6 X 15
66	PW2500.66	Hose Reel Handle
67	PW2500.67	Hose Reel
68	PW2500.68	U-Pin
69	PW2500.69	High Pressure Hose Connection
70	SA57.32	O-Ring, (Ex: 12.29 In: 8.73 Cs: 1.78)
71	PW2500.71	Reel Adaptor (A)
73	PW2500.73	Reel Adaptor (B)
74	PW2500.74	Handle Cover

Item	Part No.	Description
75	PW2500.75	Damping Ring
76	TS10SEW.121	Ext Tooth Washer M4
77	SWM4.S	Spring Washer M4 Zinc
78	PW2500.78	Screw (M4x8)
79	PW2500.79	Pump/Motor Clip
80	PW2500.P	Motor/Pump Assembly (Internal 220-240v 50hz)
--	PW2500.81	Screw (St3x12) (Not Shown)
--	PW2500.KIT1	Outflow Valve Kit (Not Shown)
--	PW2500.KIT2	Piston Kit (Not Shown)
--	PW2500.KIT3	Valve Kit(Inc P15.P16.P17.P18) (Not Shown)
--	PW2500.KIT4	Water Outlet Valve Kit (Not Shown)
--	PW2500.KIT4N	Water Outlet Valve Kit (Not Shown)
--	PW2500.KIT5	Water Inlet Valve Kit (Not Shown)
--	PW2500.P31N	Valve Nut (New Style) (Not Shown)
--	PWA02	Rotablast Lance for PW2200 & PW2500 (Not Shown)
--	PW2500.MS	Micro Switch, C/w Housing And Wires (Not Shown)
--	DH03.V2-39	O-Ring, (Ex: 12.81 In: 9.25 Cs: 1.78) (Not Shown)

**NOTE:** It is our policy to continually improve products and as such we reserve the right to alter data, specifications and component parts without prior notice. There may be alternative versions of this product, please contact us should you require this information.

**IMPORTANT:** No liability is accepted for incorrect use of product. Spare parts must be fitted by a competent person

**WARRANTY:** Guarantee is 12 months from purchase date, proof of which will be required for any claim.

**Sealey Group**, Kempson Way, Suffolk Business Park, Bury St Edmunds, Suffolk. IP32 7AR



01284 757500



01284 703534

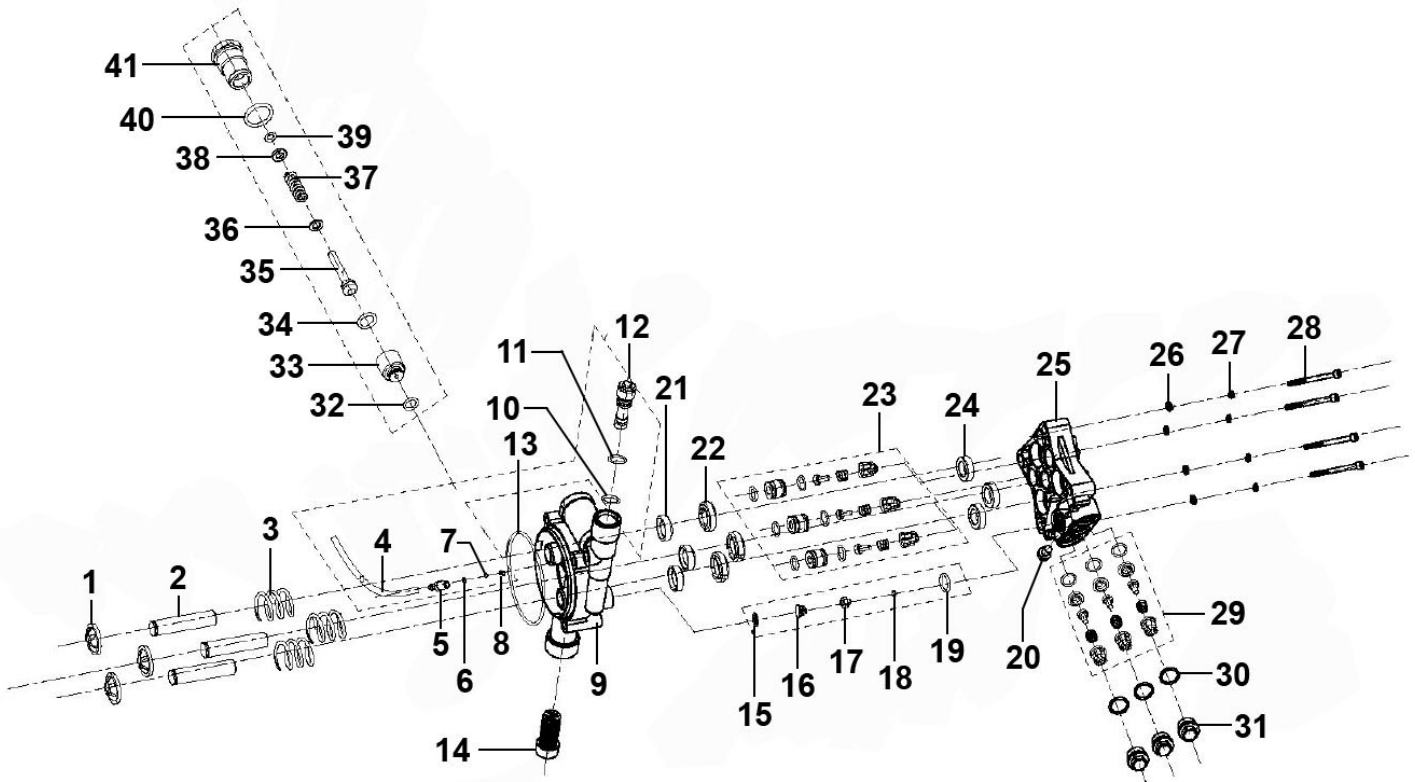


sales@sealey.co.uk



www.sealey.co.uk

Parts Information:  
**Pressure Washer 170bar with TSS &  
 Rotablast® Nozzle 230V  
 Model No: PW2500**



Item	Part No.	Description
1	PW2500.P01	Spring Base
2	PW2500.P02	Piston
3	PW2500.P03	Piston Spring Dia 22mm
4	PW2500.P04	Water Pipe
5	PW2500.P05	Water Filter
6	PW2500.P06	O-Ring, (Ex: 7.17 In: 4.07 Cs: 1.55)
7	SB-6.4	Steel Ball (5mm)
8	PW2500.P08	Spring Tapered
9	PW2500.P09	Cylinder block
10	PW2500.P10	O-Ring, (Ex: 10.35 In: 6.55 Cs: 1.90)
11	SA57.32	O-ring, (Ex: 12.29 In: 8.73 Cs: 1.78)
12	PW2500.P12	Valve
13	SA6005.23	O-Ring, (Ex: 73.13 In: 69.57 Cs: 1.78)
14	PW2500.P14	Filter
15	PW2500.P15	Spring Support
16	PW2500.P16	Core Spring
17	PW2500.P17	Valve Core
18	GSA07.16	O-Ring (2.7x1.9)
19	PW2500.P19	O-Ring, (Ex: 15.64 In: 9.92 Cs: 2.36)
20	MSP68.S	Pan Head Machine Screw m6x8
21	PW2500.P21	Oil Seal 21*12*20

Item	Part No.	Description
22	PW2500.P22	Back-Stop Bracket
23	PW2500.P24	Seal 12*20*5.2
24	PW2500.P25	Pump Head
25	PW2500.P25N	Pump Head (New - Valve Size 11.7mm)
26	FWM6.S	Washer M6
27	PW2500.P27	Washer (6mm)
28	SCB670.SB	Socket Cap Bolt Black M6x70mm
29	840.V2-M18	O-Ring, (Ex: 15.98 In: 12.42 Cs: 1.78)
30	DH03.V2-39	O-Ring, (Ex: 12.81 In: 9.25 Cs: 1.78)
31	PW2500.P31	Valve Nut
--	PW2500.P31N	Valve Nut (New Style)
32	DH03.V2-39	O-Ring, (Ex: 12.81 In: 9.25 Cs: 1.78)
33	PW2500.P33	Valve Cover
34	PW2500.P34	O-ring, (Ex: 16.08 In: 12.22 In: 1.93)
35	PW2500.P35	Valve core
36	PW2500.P36	Stop ring
37	PW2500.P37	Spring Dia 10mm
38	PW2500.P38	Washer
39	AK458DX.V4-20	O-Ring, (Ex: 8.84 In: 5.28 Cs: 1.78)
40	MT700.V2-R10	O-Ring, (Ex: 25.53 In: 20.29 Cs: 2.62)
41	PW2500.P41	Outlet Valve Nut (2pcs Brass)

**NOTE:** It is our policy to continually improve products and as such we reserve the right to alter data, specifications and component parts without prior notice. There may be alternative versions of this product, please contact us should you require this information.

**IMPORTANT:** No liability is accepted for incorrect use of product. Spare parts must be fitted by a competent person

**WARRANTY:** Guarantee is 12 months from purchase date, proof of which will be required for any claim.