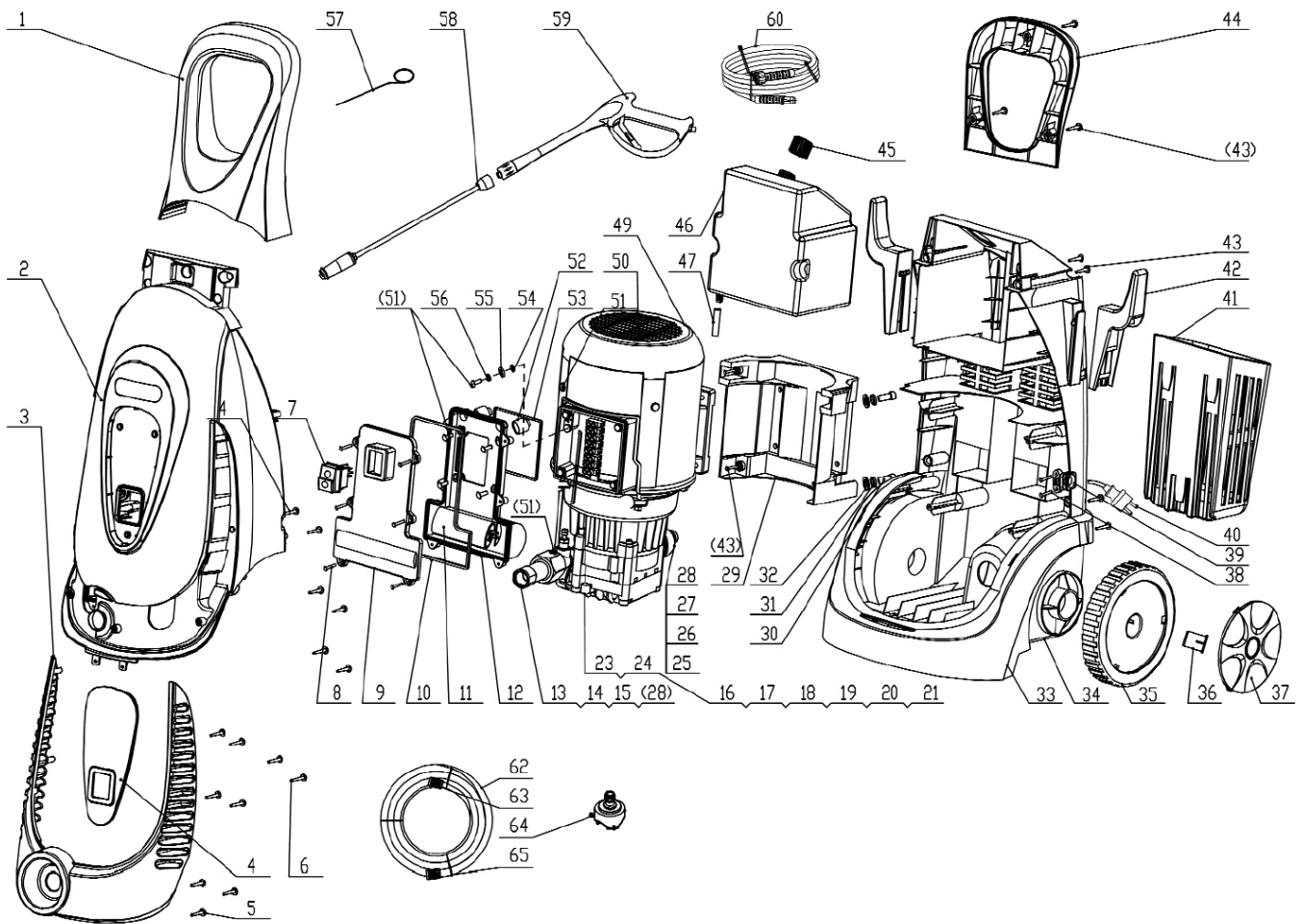


Parts Information:
**Pressure Washer 140bar with TSS &
 Rotablast® Nozzle 230V
 Model No: PW2000**



Item	Part No.	Description
1	PW2000.01	Handle Cover, Front
2	PW2000.02	Front Cover (For Label)
3	PW2000.03	Front Cover Side
4	PW2000.04	Front Label
5	S0685.V2-26	Rd Head S/T Screw M4 X 13
6	FH2009.V2-24	Rd Head S/T Screw M3.8 X 8
7	PW2000.07	Power On/Off Switch, Press Button (16A-250V)
8	PW2000.08	Rd Head S/T Screw M3.4 X 12
9	PW2000.09	Connection Box Cover
10	PW2000.10	Connection Box Seal
11	PW2000.11	Capacitor
12	PW2000.12	Connection Box, Bottom
13	PW2000.13	Outlet Connector
14	PW2000.14	Outlet Connector Seal

Item	Part No.	Description
16	PW2000.16	Motor Ass'y (Internal 240v 50hz)
17	PW2000.17	Hex Bolt
18	PW2000.18	Spring Washer
19	PW2000.19	Washer
20	PW2000.20	Camplate
21	B/51207	Bearing Race 51207
23	PW2000.23	Pump Ass'y
24	PW2000.24	Hex Bolt
25	PW2000.25	Water Input Filter
26	PW2000.26	Water Input Seal
27	PW2000.27	Water Inlet Quick Connector(Screws Onto Pump)
28	PW2000.28	O-Ring, (Ex: 15.65 In: 10.75 Cs: 2.45)
29	PW2000.29	Motor Cover

NOTE: It is our policy to continually improve products and as such we reserve the right to alter data, specifications and component parts without prior notice. There may be alternative versions of this product, please contact us should you require this information.

IMPORTANT: No liability is accepted for incorrect use of product. Spare parts must be fitted by a competent person

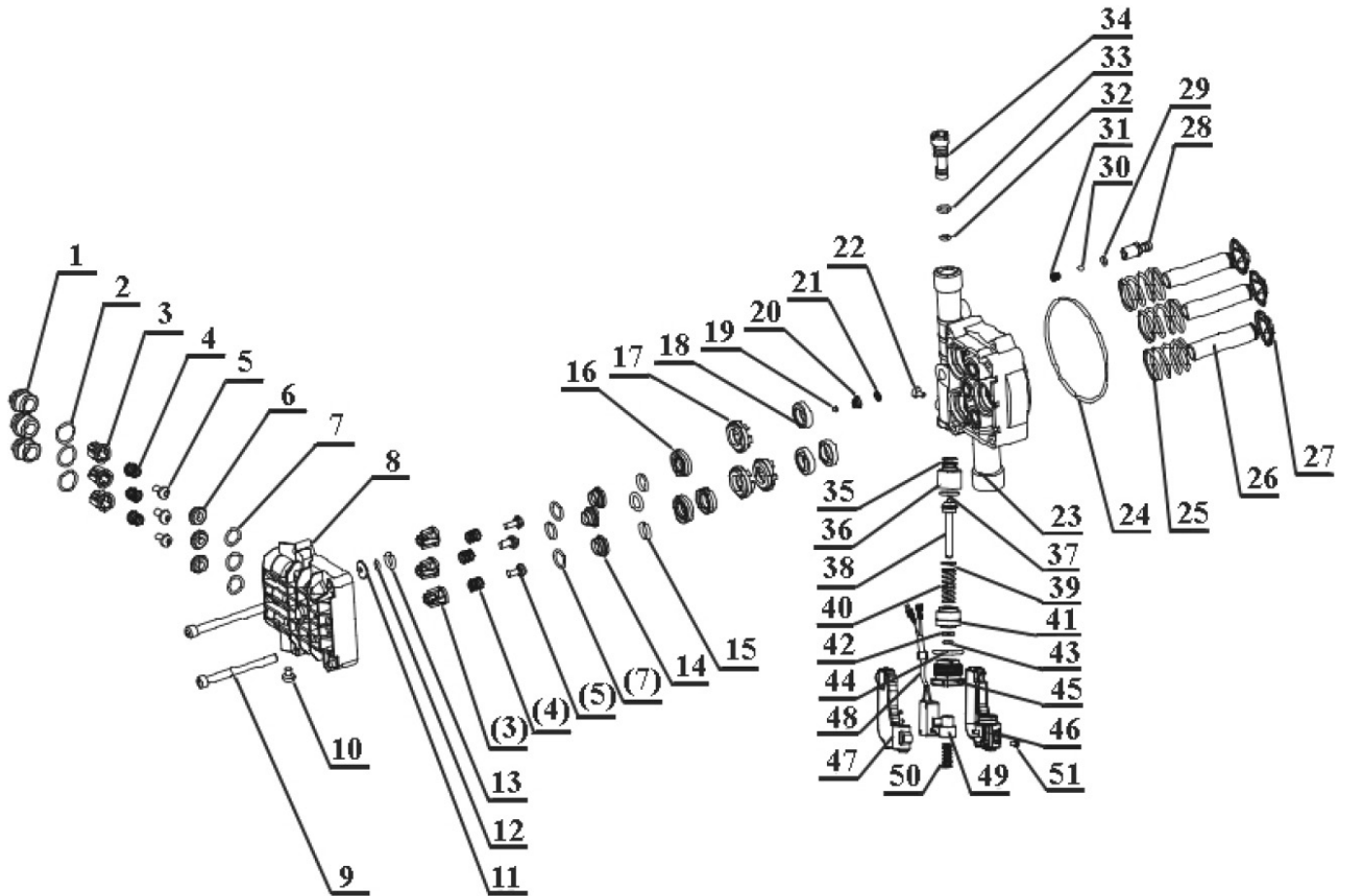
WARRANTY: Guarantee is 12 months from purchase date, proof of which will be required for any claim.



Parts Information:
**Pressure Washer 140bar with TSS &
 Rotablast® Nozzle 230V
 Model No: PW2000**

Item	Part No.	Description
30	PW2000.30	Screw
31	PW2000.31	Spring Washer
32	PW2000.32	Washer
33	PW2000.33	Base
34	PW2000.34	Back Cover
35	PW2000.35	Wheel, Fixed, Plastic (D:165 W:25 B:30)
36	PW2000.36	Wheel Support
37	PW2000.37	Wheel Cover
38	PW2000.38	Screw
39	PW2000.39	Cable Grip
40	PW2000.40	Power Cord
41	PW2000.41	Basket
42	PW2000.42	Side Hook
43	PW2000.43	Rd Head S/T Screw M4.4 X 10
44	PW2000.44	Handle Cover, Back
45	PW2000.45	Detergent Bottle Cap
46	PW2000.46	Detergent Bottle

Item	Part No.	Description
47	PW2000.47	Detergent Bottle Hose 10mm x 12mm x 450mm
49	PW2000.49	Motor Cover
50	PW2000.50	Motor Fan
51	PW2000.51	Screw
52	PW2000.52	Cable Gland
53	PW2000.53	Connection Box Seal (Small)
54	PW2000.54	Lock Washer
55	PW2000.55	Washer
56	PW2000.56	Spring Washer
57	PW2000.57	Needle Probe
58	PW2000.58	Lance For Gun
59	PW2000.59	Pressure Gun
60	PW2000.60	Hose (m22/15mm-gun end 16mm m)5m Long
62	PW2000.62	Water Input Hose
63	PW2000.63	Quick Connector
64	PW2000.64	Quick Connector (Fits Onto Tap)
65	PW2000.65	Connector



NOTE: It is our policy to continually improve products and as such we reserve the right to alter data, specifications and component parts without prior notice. There may be alternative versions of this product, please contact us should you require this information.

IMPORTANT: No liability is accepted for incorrect use of product. Spare parts must be fitted by a competent person

WARRANTY: Guarantee is 12 months from purchase date, proof of which will be required for any claim.

Sealey Group, Kempson Way, Suffolk Business Park, Bury St Edmunds, Suffolk. IP32 7AR



01284 757500



01284 703534



sales@sealey.co.uk



www.sealey.co.uk



Parts Information:
**Pressure Washer 140bar with TSS &
 Rotablast® Nozzle 230V
 Model No: PW2000**

Item	Part No.	Description
1	PW2000.P01	Plug, One-Way Valve
2	PW2000.P02	O-Ring, (Ex: 19.49 In: 15.61 Cs: 1.94)
3	PW2000.P03	Cover, One-Way Valve
4	PW2000.P04	Spring, One Way Valve Dia 9.9mm
5	PW2000.P05	Pin, One-Way Valve
6	PW2000.P06	Base, One-Way Valve Outlet
7	840.V2-M18)	O-Ring, (Ex: 15.98 In: 12.42 Cs: 1.78)
8	PW2000.P08	Pump Cover
9	PW2000.P09	Hex Bolt (m6x70)
10	MSP68.S	Pan Head Machine Screw m6x8
11	PW2000.P11	Base, One-Way Valve
12	AK458DX.V4-20	O-Ring, (Ex: 8.84 In: 5.28 Cs: 1.78)
13	WK025.V2-31	O-Ring, (Ex: 14.43 In: 9.19 Cs: 2.62)
14	PW2000.P14	Base, One-Way Valve Inlet
15	PW2000.P15	O-Ring, (Ex: 15 In: 10.96 Cs: 2.02)
16	PW2000.P16	Water Seal
17	PW2000.P17	Support, Plunger
18	PW2000.P18	Oil Seal
19	SB-5.0	Steel ball 5.0mm
20	PW2000.P20	Spring Conical
21	PW2000.P21	Base Spring, One-Way Valve
22	PW2000.P22	Screw (m6x6)
23	PW2000.P23	Pump Body
24	PW2000.P24	O-Ring, (Ex: 93.81 In: 88.57 Cs: 2.62)
25	PW2000.P25	Spring, Plunger Dia 28.3mm
26	PW2000.P26	Plunger

Item	Part No.	Description
27	PW2000.P27	Base, Spring Base
28	PW2000.P28	Connection Head
29	PW2000.P29	O-Ring, (Ex: 7.02 In: 4.12 Cs: 1.45)
30	SB-6.4	Steel ball 6.4mm
31	PW2000.P31	Spring, Tapered
32	PW2000.P32	O-Ring, (Ex: 10.69 In: 6.43 Cs: 2.13)
33	PW2000.P33	O-Ring, (Ex: 12.13 In: 8.57 Cs: 1.78)
34	PW2000.P34	Detergent Hose
35	PW2000.P35	O-Ring (9x1.8)
36	PW2000.P36	Sleeve, Relief Valve
37	840.V2-M18	O-Ring, (Ex: 15.98 In: 12.42 Cs: 1.78)
38	PW2000.P38	Pin, Relief Valve
39	PW2000.P39	Limit Ring
40	PW2000.P40	Spring Dia 10.10mm
41	PW2000.P41	Middle Seal, Relief Valve
42	PW2000.P42	Seal
43	DH03.V2-39	O-Ring, (Ex: 12.81 In: 9.25 Cs: 1.78)
44	SA682.V2-60	O-Ring, (Ex: 23.96 In: 18.72 Cs: 2.62)
45	PW2000.P45	Screw
46	PW2000.P46	Lower Case For Micro Switch
47	PW2000.P47	Cover Case For Micro Switch
48	PW2000.P48	Micro Switch, c/w Leads
49	PW2000.P49	Lever Bar For Switch
50	PW2000.P50	Spring For Microswitch Case Dia 8.16mm
51	PW2000.P51	Rd Head S/T Screw M2.9 X 10

NOTE: It is our policy to continually improve products and as such we reserve the right to alter data, specifications and component parts without prior notice. There may be alternative versions of this product, please contact us should you require this information.

IMPORTANT: No liability is accepted for incorrect use of product. Spare parts must be fitted by a competent person

WARRANTY: Guarantee is 12 months from purchase date, proof of which will be required for any claim.

Sealey Group, Kempson Way, Suffolk Business Park, Bury St Edmunds, Suffolk. IP32 7AR



01284 757500



01284 703534



sales@sealey.co.uk



www.sealey.co.uk