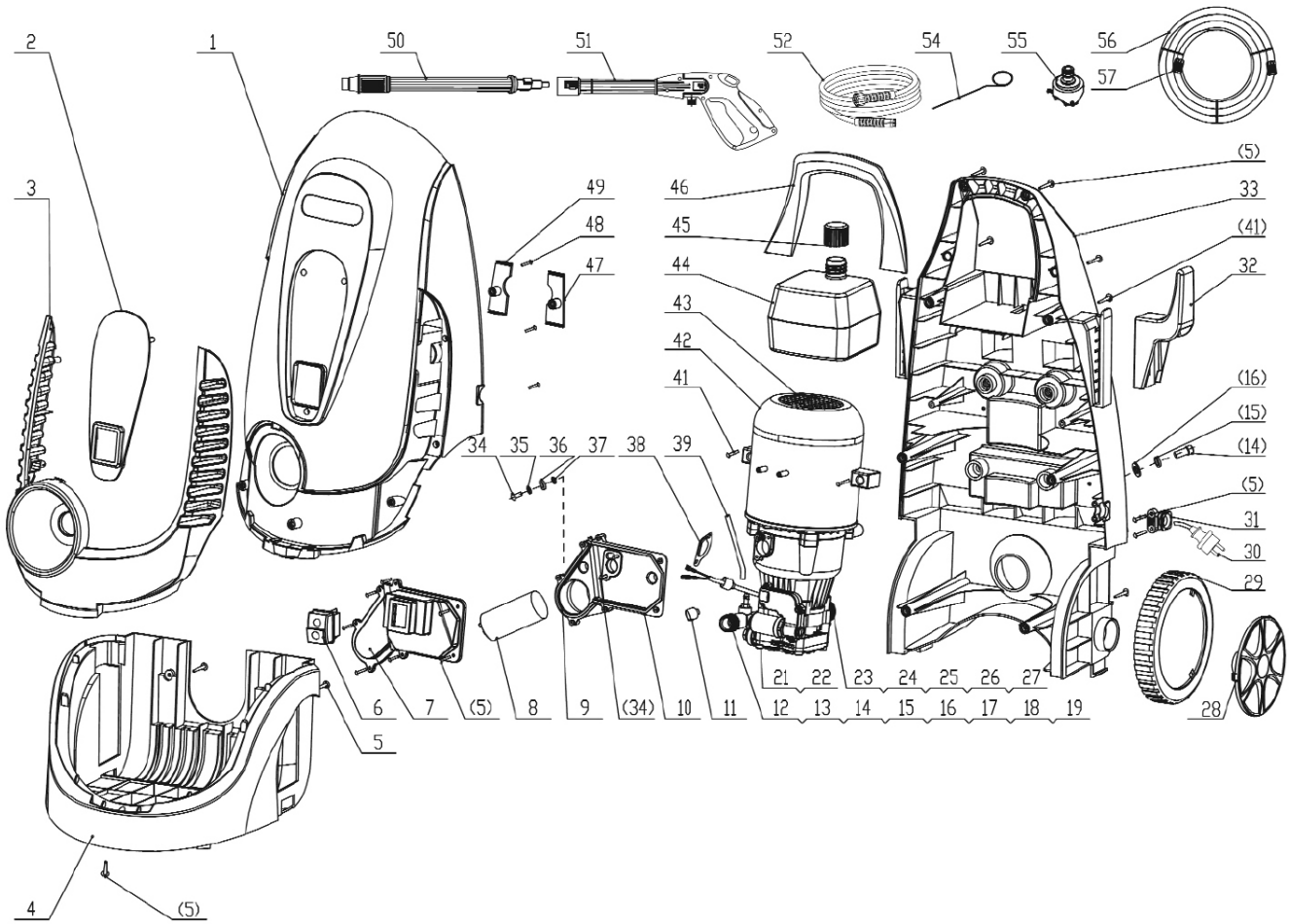


Parts Information:
**Pressure Washer 120bar with TSS &
 Rotablast® Nozzle 230V**
Model No: PW1750



Item	Part No.	Description
1	PW1750.01	Front Cover
2	PW1750.02	Front Cover (For Label)
3	PW1750.03	Front Cover, Side
4	PW1750.04	Base
5	PW1750.05	Rd Head S/T Screw M4.2 X 16
6	PW2000.07	Power On/Off Switch, Press Button (16A-250V)
7	PW1750.07	Connection Box Cover
8	PW1750.08	Capacitor
9	PW1750.09	Connection Box Seal
10	PW1750.10	Connection Box, Bottom
11	PW2000.52	Cable Gland
12	PW1750.12	Pump Ass'y
13	PW1750.13	Motor Ass'y (Internal 240v 50hz)
14	SCB820.SB	Socket Cap Bolt M8 x 20mm Black
15	PW1750.15	Spring Washer

Item	Part No.	Description
16	PW1750.16	Washer
17	PW1750.17	Camplate
18	B/51107	Bearing Race 51107
19	PW1750.19	Outlet Cover
21	PW1750.21	Spring Washer
22	PW1750.22	Hex Screw
23	PW1750.23	Washer
24	PW2000.25	Water Input Filter
25	PW1750.25	Inlet Nut Seal
26	PW2000.27	Water Inlet Quick Connector (Screws Onto Pump)
27	PW2000.28	O-Ring
28	PW1750.28	Wheel cover
29	PW1750.29	Wheel, Fixed, Plastic (D:150 W:23 B:28)
30	PW1750.30	Power Cord
30	PW2000.39	Cable Grip

NOTE: It is our policy to continually improve products and as such we reserve the right to alter data, specifications and component parts without prior notice. There may be alternative versions of this product, please contact us should you require this information.

IMPORTANT: No liability is accepted for incorrect use of product. Spare parts must be fitted by a competent person

WARRANTY: Guarantee is 12 months from purchase date, proof of which will be required for any claim.



Parts Information:
**Pressure Washer 120bar with TSS &
Rotablast® Nozzle 230V
Model No: PW1750**

Item	Part No.	Description
31	PW2000.39	Cable Grip
32	PW2000.42	Side Hook
33	PW1750.33	Back Cover
34	MSP410.S	Machine Screw Pan Head Phillips M4 X 10mm
35	PW1750.35	Spring Washer
36	PW1750.36	O-Ring, (Ex: 24 In: 20 Cs: 2)
37	PW1750.37	Ext tooth Star Washer
38	PW1750.38	Connection Box Seal (Small)
39	PW2000.47	Detergent Bottle Hose 10mm x 12mm x 450mm
41	PW2000.43	Rd Head S/T Screw M4.4 X 10
42	PW1750.42	Motor Cover
43	PW1750.43	Motor Fan
44	PW1750.44	Detergent Bottle
45	PW2000.45	Detergent Bottle Cap

Item	Part No.	Description
46	PW1750.46	Handle Cover
47	PW1750.47	Guide Support, Right
48	PW2000.08	Rd Head S/T Screw M3.4 X 12
49	PW1750.49	Guide Support, Left
50	PW2000.58	Lance For Gun
51	PW2000.59	Pressure Gun
52	PW2000.60	Hose (m22/15mm-Gun End 16mm m)5m Long
54	PW2000.57	Needle Probe
55	PW2000.64	Quick Connector (Fits Onto Tap)
56	PW2000.62	Water Input Hose
57	PW2000.63	Quick Connector
--	PCAK03	Turbo Rotablast Nozzle (Not Shown)
--	PCAK06	Extension Lance 345mm (Not Shown)
--	PCAK04	Variable Spray Jet Nozzle (Not Shown)

NOTE: It is our policy to continually improve products and as such we reserve the right to alter data, specifications and component parts without prior notice. There may be alternative versions of this product, please contact us should you require this information.

IMPORTANT: No liability is accepted for incorrect use of product. Spare parts must be fitted by a competent person

WARRANTY: Guarantee is 12 months from purchase date, proof of which will be required for any claim.

Sealey Group, Kempson Way, Suffolk Business Park, Bury St Edmunds, Suffolk. IP32 7AR



01284 757500



01284 703534

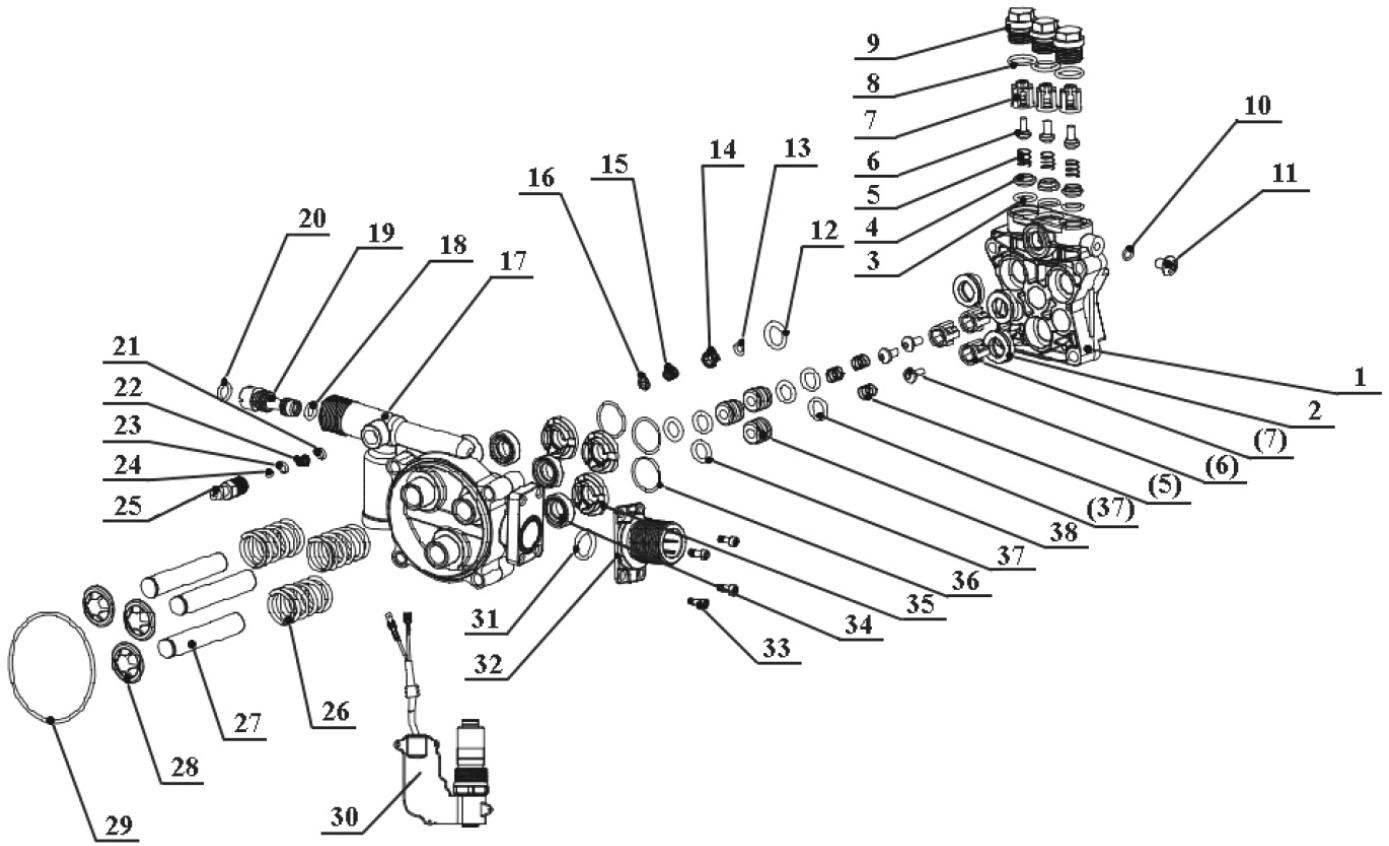


sales@sealey.co.uk



www.sealey.co.uk

Parts Information:
**Pressure Washer 120bar with TSS &
 Rotablast® Nozzle 230V
 Model No: PW1750**



Item	Part No.	Description
1	PW1750.P01	Pump Cover
2	PW1750.P02	Water Seal 12*20*5.2
3	DH03.V2-39	O-Ring, (Ex: 12.81 In: 9.25 Cs: 1.78)
4	PW1750.P04	Outlet Valve Housing
5	PW1750.P05	Spring, One-Way Valve Dia 7.8mm
6	PW1750.P06	Pin, One-Way Valve
7	PW1750.P07	Cover, One-Way Valve
8	VS3900.03	O-Ring, (Ex: 17.56 In: 14 Cs: 1.78)
9	PW1750.P09	Plug, One-Way Valve
10	PW1750.P23	O-Ring
11	MSP68.S	Screw
12	PW1600.P09	O-Ring
13	PW1750.P13	O-Ring
14	PW1750.P14	Pin, One-Way Valve
15	PW1750.P15	Spring Dia 6.6mm
16	PW2000.P21	Spring Base, Valve
17	PW1750.P17	Pump Body
18	PW1750.P18	O-Ring
19	PW2000.P34	Connection head PW2000.P34

Item	Part No.	Description
20	PW1750.P20	O-Ring
21	PW1750.P21	Seal, Connecion Head
22	PW1750.P22	Spring Tapered
23	PW1750.P23	O-Ring, (Ex: 6.91 In: 4.18 Cs: 1.36)
24	PW1750.P24	Steel ball (6.3mm) SB-6.4
25	PW2000.P28	Connection head
26	PW1750.P26	Spring, Plunger Dia 22.8mm
27	PW1750.P27	Plunger
28	PW1750.P28	Spring Base, Plunger
29	PW1750.P29	O-Ring, (Ex: 75.6 In: 72 Cs: 1.8)
30	PW1750.P30	Tss Ass'y
31	PW1750.P31	O-Ring, (Ex: 23.23 In: 18.79 Cs: 2.22)
32	PW1750.P32	Inlet Connector
33	SCB516.SB	Socket Cap Bolt Black m5x16
34	PW1750.P34	Oil Seal
35	PW1750.P35	Support, Plunger
36	FWM4.S	M4 Washer Zinc
37	SA342.I2	O-Ring, (Ex: 14.38 In: 10.82 Cs: 1.78)
38	PW1750.P38	Housing, Inlet Valve

NOTE: It is our policy to continually improve products and as such we reserve the right to alter data, specifications and component parts without prior notice. There may be alternative versions of this product, please contact us should you require this information.

IMPORTANT: No liability is accepted for incorrect use of product. Spare parts must be fitted by a competent person

WARRANTY: Guarantee is 12 months from purchase date, proof of which will be required for any claim.