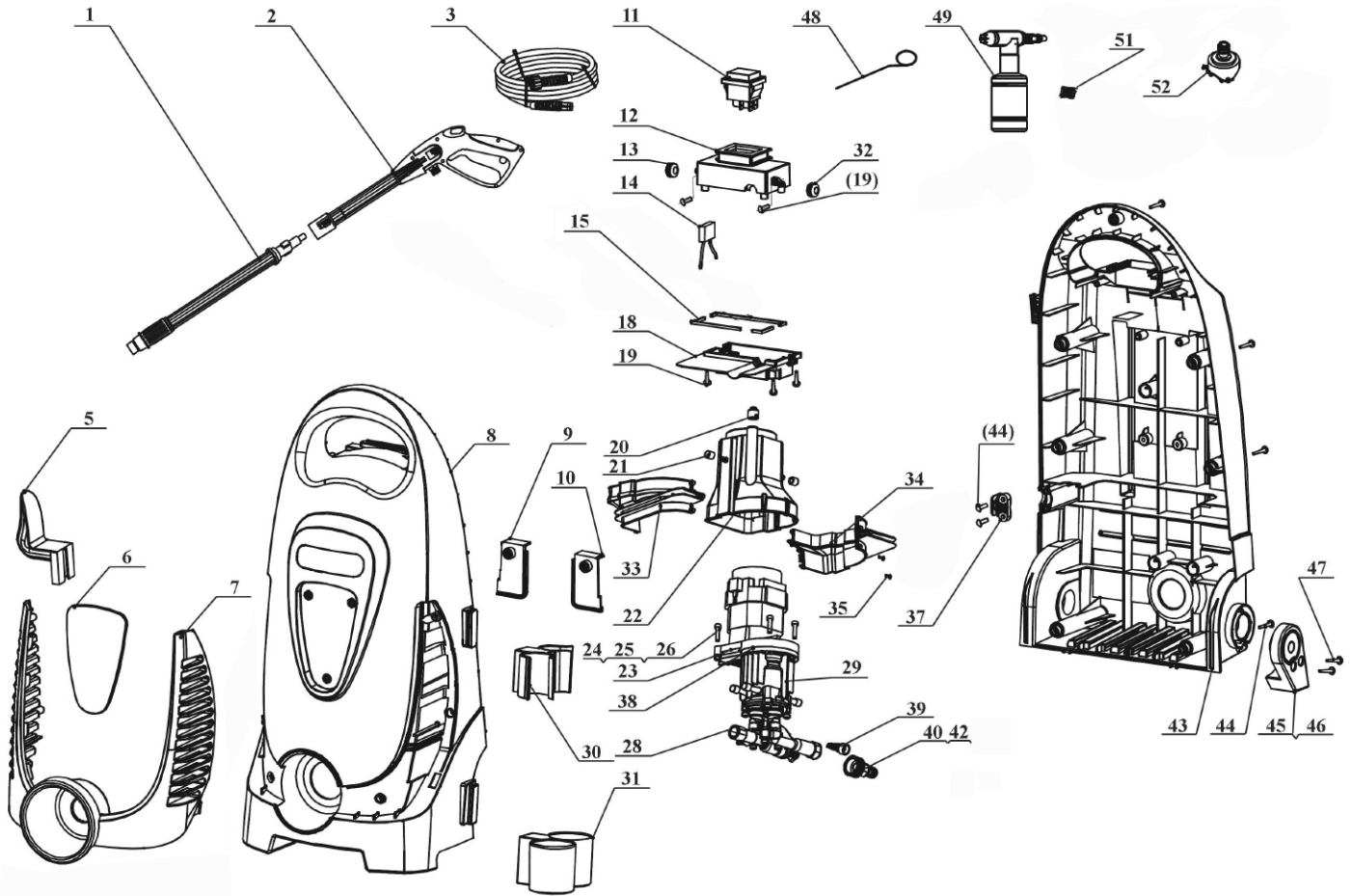


## Parts Information: Pressure Washer 110bar with TSS & Rotablast® Nozzle 230V with Accessory Kit Model No: PW1600



Item	Part No.	Description
1	PW1600.01	Lance For Gun
2	PW2000.59	Pressure Gun
3	PW2000.60	Hose (m22/15mm-Gun End 16mm m)5m Long
5	PW1600.05	Side Hook
6	PW1600.06	Front Label
7	PW1600.07	Front Cover Side
8	PW1600.08	Front Cover
9	PW1600.09	Left Guide Plate
10	PW1600.10	Right Guide Plate
11	PW1600.11	Switch, On/Off Rocker c/w Cover (16A-250V)
12	PW1600.12	Connection Box Cover
13	PW1600.13	Sealing Ring
14	PW1600.14	Capacitor
15	PW1600.17	Connection Box Seal (C)
18	PW1600.18	Connection Box, Bottom

Item	Part No.	Description
19	S0685V2-26	Rd Head S/T Screw M4 X 13
20	PW2000.52	Cable Gland
21	PW1600.21	Cushion
22	PW1600.22N	Motor Cover ( Fits Longer Pump)
23	PW1600.23	Motor Ass'y (Internal 230v 50hz)
24	SCB625.SB	Socket Cap Bolt M6 x 25mm Black
25	PW1600.25	Washer
26	PW1600.26	Plastic Cover For Rocker Switch
28	PW1750.19	Outlet Cover
29	PW1600.29	Pump Ass'y
30	PW1600.30	Bracket For Gun (Upper)
31	PW1600.31	Bracket For Gun (Lower)
32	PW1600.32	Microswitch (Black) C/w Wires
33	PW1600.33	Deflector Plate (Upper)
34	PW1600.34	Deflector Plate (Lower)

**NOTE:** It is our policy to continually improve products and as such we reserve the right to alter data, specifications and component parts without prior notice. There may be alternative versions of this product, please contact us should you require this information.

**IMPORTANT:** No liability is accepted for incorrect use of product. Spare parts must be fitted by a competent person

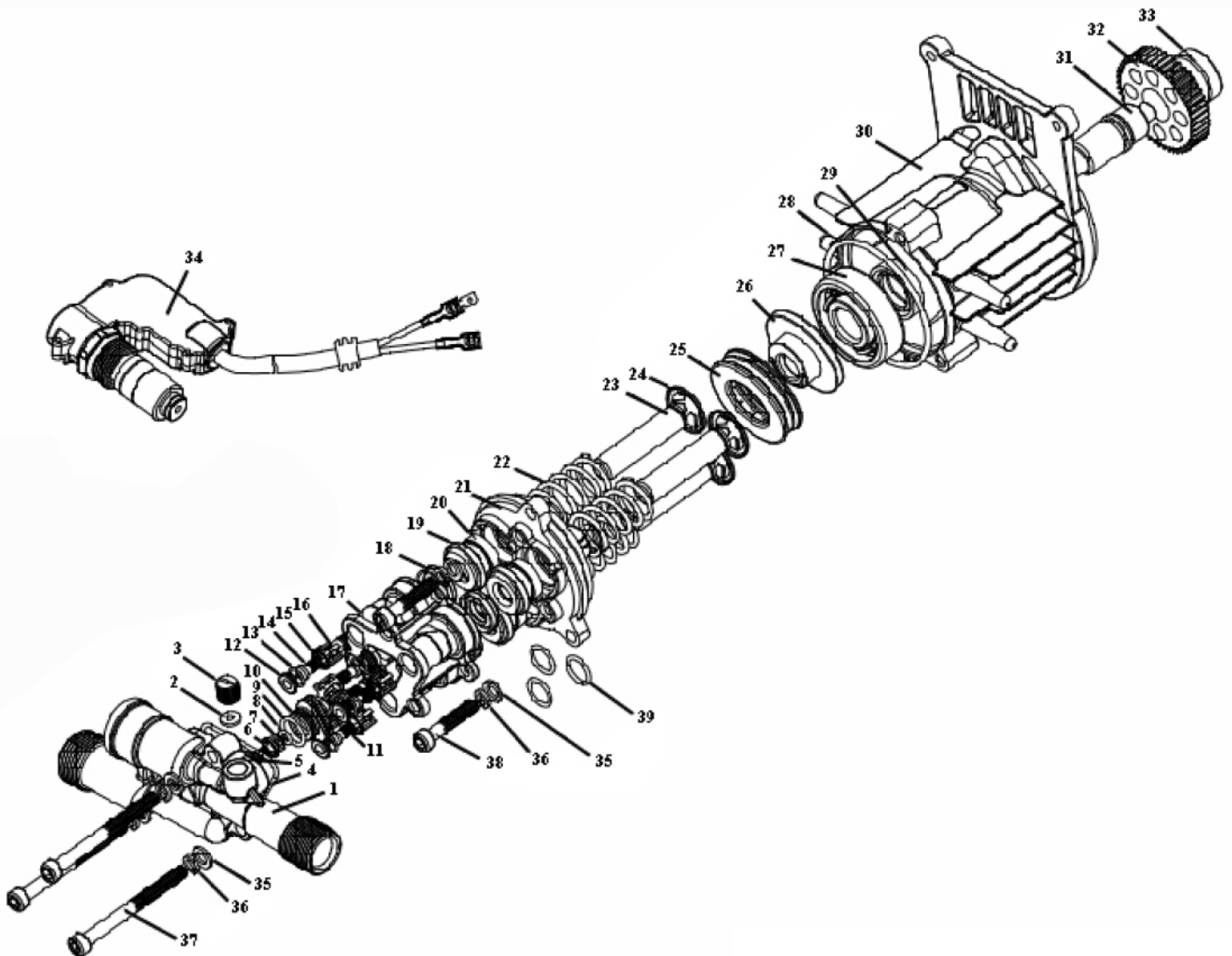
**WARRANTY:** Guarantee is 12 months from purchase date, proof of which will be required for any claim.



Parts Information:  
**Pressure Washer 110bar with TSS & Rotablast® Nozzle 230V with Accessory Kit**  
**Model No: PW1600**

Item	Part No.	Description
35	PW1750.05	Rd Head S/T Screw M4.2 X 16
37	PW2000.39	Cable Grip
38	PW1600.38	Motor Support Ring
39	PW2000.25	Water Input Filter
40	PW2000.27	Water Inlet Quick Connector (Screws Onto Pump)
42	WK025.V2-31	O-Ring, (Ex: 14.43 In: 9.19 Cs: 2.62)
43	PW1600.43	Back Cover
44	PW1750.05	Rd Head S/T Screw M4.2 X 16
45	PW1600.45	Support Frame (Right)
46	PW1600.46	Support Frame (Left)

Item	Part No.	Description
47	PW1600.47	Rd Head S/T Screw M4.6 X 22
48	PW2000.57	Needle Probe
49	PW1600.49	Detergent Bottle
51	PW2000.63	Quick Connector
52	PW2000.64	Quick Connector (Fits Onto Tap)
--	PW1600.53	Wheel & Cap, Fixed, Plastic (D:110 W:16 B:20) (Not Shown)
--	PW1600.53A	Wheel Cap (Not Shown)
--	PCAK10	Patio/Deck Surface Cleaner Ø300mm (Not Shown)
--	PW1600.27	Sealing Ring (B) (Not Shown)



**NOTE:** It is our policy to continually improve products and as such we reserve the right to alter data, specifications and component parts without prior notice. There may be alternative versions of this product, please contact us should you require this information.

**IMPORTANT:** No liability is accepted for incorrect use of product. Spare parts must be fitted by a competent person

**WARRANTY:** Guarantee is 12 months from purchase date, proof of which will be required for any claim.

Sealey Group, Kempson Way, Suffolk Business Park, Bury St Edmunds, Suffolk. IP32 7AR



01284 757500



01284 703534



sales@sealey.co.uk



www.sealey.co.uk



Parts Information:  
**Pressure Washer 110bar with TSS &  
Rotablast® Nozzle 230V with Accessory Kit  
Model No: PW1600**

Item	Part No.	Description
1	PW1600.P01	Pump Cover
2	PW1750.P21	Connection Head Seal
3	PW2000.P28	Plug, One-Way Valve
4	PW1600.P04	Seal
5	PW2000.P21	Spring Base, One-Way Valve
6	PW1750.P15	Spring, One-Way Valve
7	PW1750.P14	Pin, One-Way Valve
8	PW1600.P08	O-Ring (3.15x2.05)
9	840.V2-M18)	O-Ring, (Ex: 15.98 In: 12.42 Cs: 1.78)
10	PW1600.P10	Base, One-Way Valve
11	SA19SV2-17)	O-Ring, (Ex: 19.16 In: 15.60 Cs: 1.78)
12	PW1600.P12	Base, One-Way Valve
13	PW1600.P13	O-Ring (8x1)
14	PW1600.P14	Pin, One-Way Valve
15	PW1600.P15	Spring, One-Way Valve
16	PW1600.P16	Frame, One-Way Valve
17	PW1600.P17	Pump Body
18	PW1750.P02)	Water Seal
19	PW1600.P19	Support, Plunger
20	PW1750.P34	Oil Block, Plunger

Item	Part No.	Description
21	PW1600.P21	Base, Pump Body
22	PW1600.P22	Spring, Plunger Dia 22.5mm
23	PW1600.P23	Plunger
24	PW1750.P28	Spring Base, Plunger
25	B/51205)	Bearing 51205
26	PW1600.P26	Wobble Plate
27	B/6303)	Bearing
28	PW1600.P28	O-ring, (Ex: 64.11 In: 59.61 Cs: 2.25)
29	PW1600.P29	Oil Seal
30	PW1600.P30	Crankcase
31	PW1600.P31	Gear Shaft
32	PW1600.P32	Gear (50t)
33	B/629ZZ	Bearing
34	PW1750.P30	Tss Ass'y
35	FWM6.S	Washer M6
36	SWM6.SB	Spring Washer M6 Black
37	PW1600.P37	Hex Bolt (M6x65)
38	SCB635.SB	Socket Cap Bolt Black M6x3
39	PW1600.P39	O-Ring (19.3x1.5)

**NOTE:** It is our policy to continually improve products and as such we reserve the right to alter data, specifications and component parts without prior notice. There may be alternative versions of this product, please contact us should you require this information.

**IMPORTANT:** No liability is accepted for incorrect use of product. Spare parts must be fitted by a competent person

**WARRANTY:** Guarantee is 12 months from purchase date, proof of which will be required for any claim.

**Sealey Group**, Kempson Way, Suffolk Business Park, Bury St Edmunds, Suffolk. IP32 7AR



01284 757500



01284 703534



sales@sealey.co.uk



www.sealey.co.uk