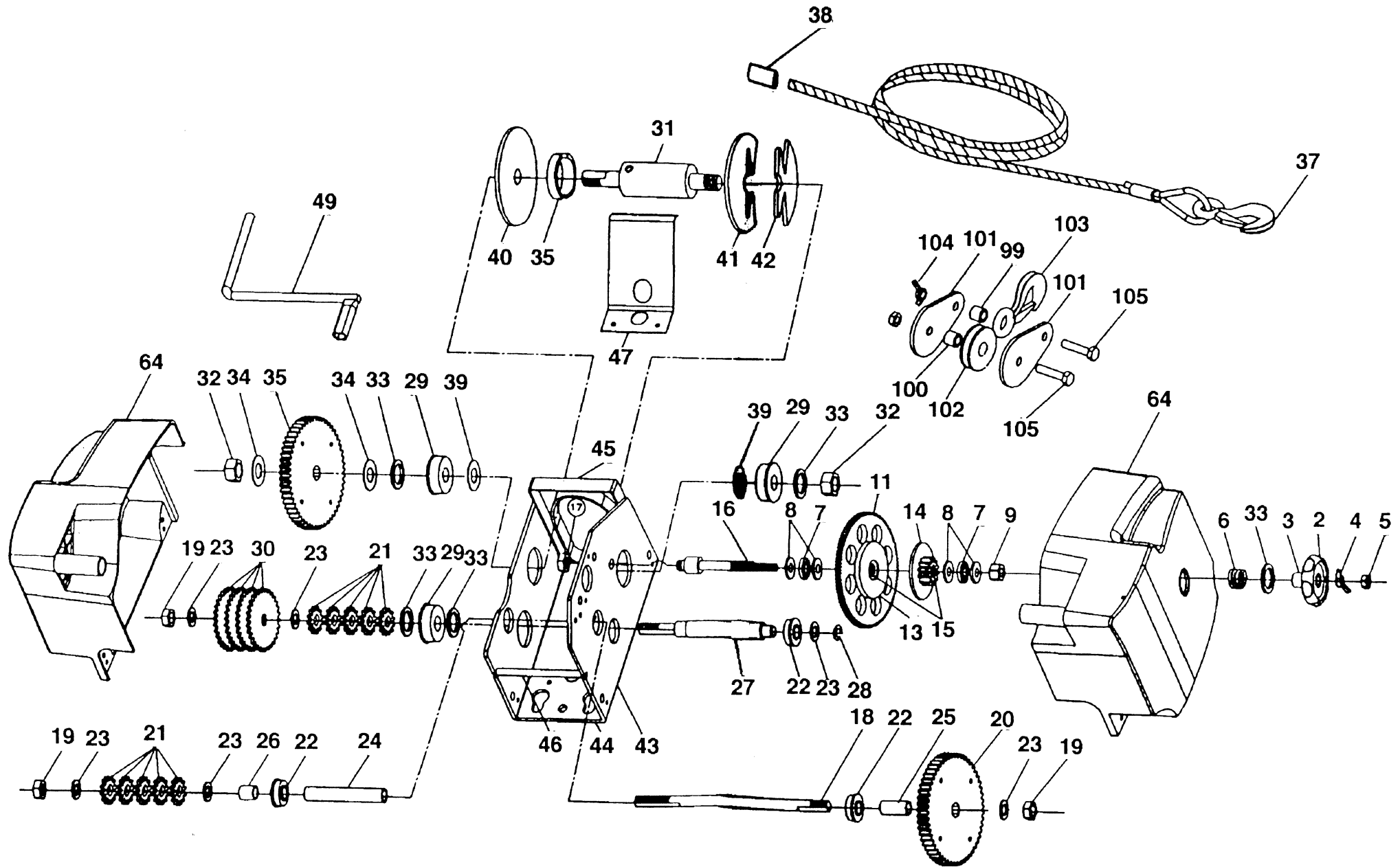


PW15000 (12 & 24 VOLT) PARTS DIAGRAM

SEALEY

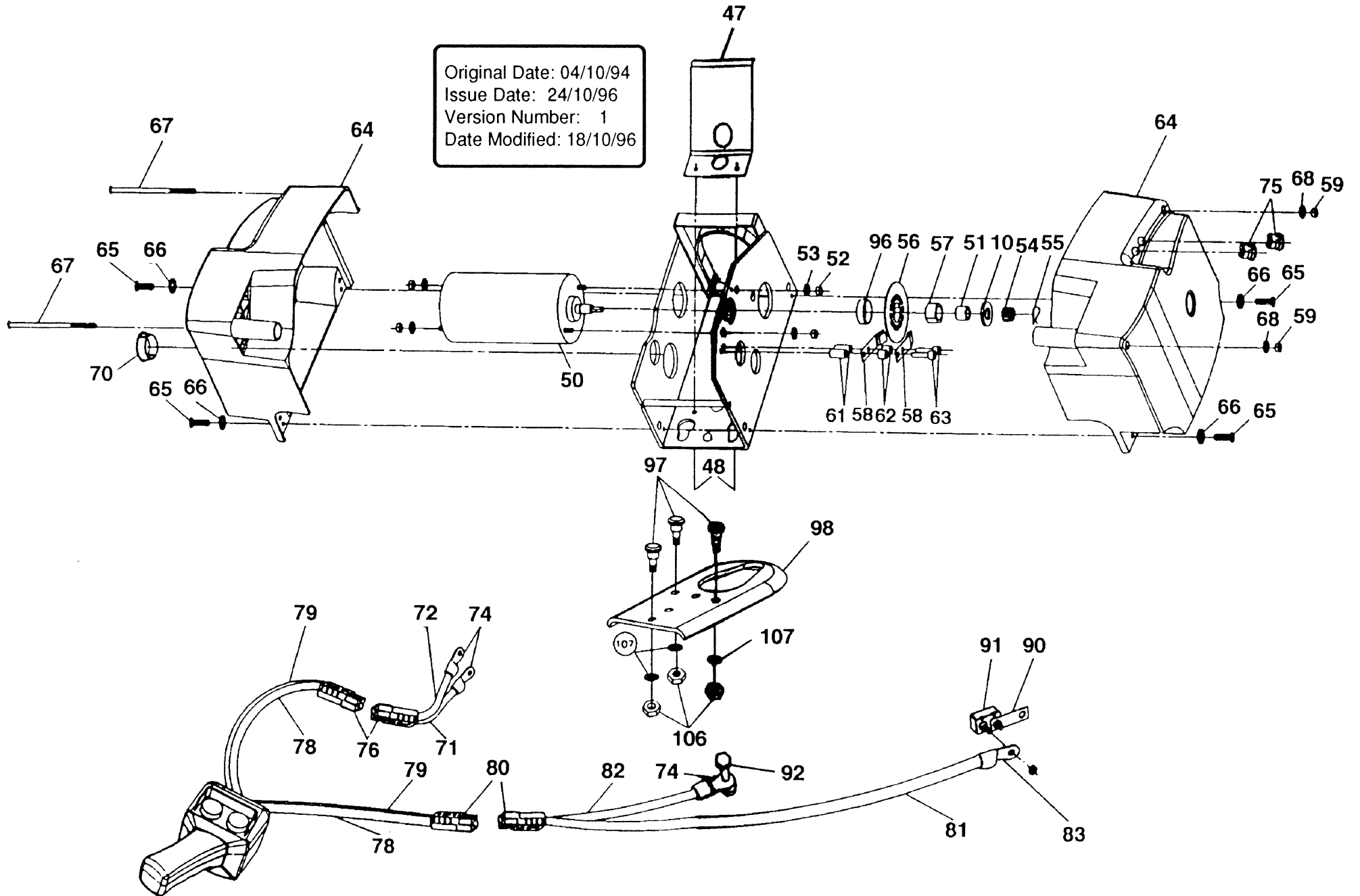
Quality MACHINERY



PW15000 MOTOR PARTS DIAGRAM



Original Date: 04/10/94
Issue Date: 24/10/96
Version Number: 1
Date Modified: 18/10/96



Index			
No.	Stock Code	Description	Qty
2	SFU0730910107	Clutch Knob	1
3	SFU0760910105	Knob Thread	1
4	SF68120080010	Wing Nut	1
5	SF66120080014	Nut	1
6	SFU0760970103	Spring	1
7	SF63331024015	Thrust Bearing	2
8	SF63331024116	Thrust Bearing Shim	4
9	SF66120095017	Nut	1
10	SF60330105077	Washer	2
11	SFU0730250101	Clutch Gear Assembly	1
12	SFU0760250109	Clutch Gear	1
13	SFU0761130104	Clutch Lining	1
14	SFU0760240106	Clutch Pinion	1
15	SF62261015109	Bearing	2
16	SFU0760230204	Clutch Stud	1
17	SF65120120104	Nut	1
18	SFU0760231206	Rear Shaft	1
19	SF66120127519	Nex Nut	3
20	SFU0760251101	Rear Shaft Gear	1
21	SFU0760243102	Pinion	10
22	SF61160004104	Bearing	3
23	SFU0660220103	Washer	6
24	SFU0760870109	Shaft Sleeve-A	1
25	SFU0760871101	Shaft Sleeve-B	1
26	SFU0760872103	Shaft Sleeve-C	1
27	SFU0760232107	Transmission Shaft	1
28	SF51350018012	Pin	1
29	SF61160017103	Bearing	3
30	SFU0760252103	Transmission Gear	4
31	SFU0760321106	Drum Shaft	1
32	SF66120160012	Nylon Nut	2
33	SFU0760220100	Washer	5
34	SF61130172107	Washer	2
35	SFU0760254107	Drum Shaft Gear	1
36	SFU0761160103	Drum Shaft Bush	1
37	SFU0731431100	Cable Assembly	1
38	SFU0760750109	Cable Fastener	1
39	SFU0760222104	Washer	2
40	SFU0760780108	Fixed Disk	1
41	SFU0760781100	Sunken Fixed Disk	1
42	SFU0760782102	Bulge Fixed Disk	1
43	SFU0730020104	Frame Assembly	1
44	SFU0760020102	Base	1
45	SFU0761410100	Front Plate	1
46	SFU0760790101	Base Spacer	1
47	SFU0760813107	Level Wind	1
48	SFU0760800101	Rivet	2
49	SFU0761440101	Crank Handle	1
50	SFU0760011101	Motor, 12V	1
	SFU0760012103	Motor, 24V	
51	SF62261016101	Thrust Washer	1
52	SF65520050006	Nut	2
53	SF60330050017	Washer	2
54	SFU0760242119	Motor Gear	1

Index			
No.	Stock Code	Description	Qty
55	SF60240015106	Pin	1
56	SFU0761950102	Brake Disk Bush	1
57	SFU0760031107	Bearing Cover	1
58	SFU0730810103	Brake Spring Assembly	2
59	SFU0760810101	Brake Spring	2
60	SFU0761131106	Brake Shoe	2
61	SFU0760791103	Internal Spacer	2
62	SFU0760792105	External Spacer	2
63	SF64910060030	Hex Socket Set Screw	2
64	SFU0760891107	Housing	1
65	SF61010060024	Cross Head Crew	4
66	SF60530060005	Spring Wasger	4
67	SF60910040591	Housing Screw	2
68	SF60530050002	Spring Washer	6
69	SF65520040003	Housing Nut	2
70	SFU0761860101	Cover Plug	1
71	SFU0760450107	Positive Motor Wire	1
72	SFU0760451109	Negative Motor Wire	1
73	SFU0760730103	Plug Terminal	8
74	SFU0760731105	Pizeoelectric Terminal	7
75	SFU0760840100	Wire Socket	2
76	SFU0760440104	Remote Plug	2
77	SFU0760811103	Plug SPring	8
78	SFU0760452101	Positive Remote Wire	2
79	SFU0760453103	Negative Remote Wire	2
80	SFU0760441106	Electric Plug	2
81	SFU0760454105	Positive Electric Wire	1
82	SFU0760455107	Negative Electric Wire	1
83	SFU0760732107	Pizeoelectric Terminal	1
84	SFU0761150100	Heat Shrink Sleeve-A	10
85	SFU0761151102	Heat Shrink Sleeve-B	2
86	SFU0761152104	Heat Shrink Sleeve-C	14
87	SFU0760470105	Main Remote Control	1
88	SFU0760900102	Control Housing	1
89	SF61810030186	Screw	4
90	SFU0760784109	Breaker Plate	1
91	SFU0660472100	Circuit Breaker, 12V	1
	SFU0760470103	Circuit Breaker, 24V	1
92	SF65310080409	Hex Stud	1
93	SFU0660222107	Washer	1
94	SF60530080001	Spring Washer	2
95	SF65120080126	Nut	2
96	SFU0760793107	Fixed Bush	1
97	SFU0660260105	Plate Stud	3
98	SFU0661770204	Adapter Plate	1
99	SFU0660030108	Pully Spacer-A	1
100	SFU0660301100	Pully Spacer-B	1
101	SFU0660785101	Fixed Plate	2
102	SFU0661950106	Pulley	1
103	SFU0660391206	Safety Hook	1
104	SF68120095013	Wing Nut	1
105	SF65310095457	Hex Stud	2
106	SFU0660270108	Nut	3
107	SF60530095307	Spring Washer	4