

**NOTE:** It is our policy to continually improve products and as such we reserve the right to alter data, specifications and component parts without prior notice. There may be alternative versions of this product, please contact us should you require this information.

**IMPORTANT:** No liability is accepted for incorrect use of product. Spare parts must be fitted by a competent person

**WARRANTY:** Guarantee is 12 months from purchase date, proof of which will be required for any claim.



Parts Information:  
Pallet Truck 2200kg 1150 x 525mm  
Model No: PT2200

Item	Part No.	Description
301	PT2200.301	Piston
302	PT2200.302	Guide, Spring
303	PT2200.303	Spring
304	PT2200.304	Plunger, Pump
305	PT2200.305	Cylinder, Burnished
306	PT2200.306	Pin, Chain Guide
307	PT2200.307	Copper Washer
308	PT2200.308	Bracket
309	PT2200.309	Roller, Bracket
310	PT2200.310	Roller Pin, Bracket
311	PT2200.311A	Wheel (c/w Bearing)
312	PT2200.312	Ball
313	PT2200.313	Spring
314	PT2200.314	Screw
315	PT2200.315	Dust Guard, Wheel
316	PT2200.316	Valve Fork Assembly
318	PT2200.318	Axle
319	PT2200.319	Pump Body
320	PT2200.320	Oil Tank
321	PT2200.321	Cap, Oil Tank
322	PT2200.322	Protection, Tank
323	PT2200.323	Plate
324	B/6001-2RS	Bearing

Item	Part No.	Description
325	PT2200.325	Bushing
326	PT2200.326	Tie-Rod Assembly
327	PT2200.327	Spacer, Lower Lever
328	PT2200.328	Spring, Lower Lever
329	PT2200.329	Lever, Handle
330	PT2200.330	Handle
331	PT2200.331	Hydraulic Assembly
332	SB-8.0	Steel Ball
333	SB-14.0	Steel Ball
334	PT2200.334	E-Clip
335	PT2200.335	Elastic Pin
336	PT2200.336	External Circlip
337	PT2200.337	Seeger Ring
338	SA687.40	Spring Pin
339	PT2200.339	Spindle
340	PT2200.340	Spring
341	PT2200.341	Valve, Non-Return
343	PT2200.343	Repair Kit
--	PT2200.317	Bushing, Body Pump (Not Shown)
--	PT2200.342	Pump Handle Assembly (Not Shown)
--	SCB820.S	Socket Cap Bolt M8 x 20mm (Not Shown)
--	PT2000.V2-07	Spacer Washer (Not Shown)

**NOTE:** It is our policy to continually improve products and as such we reserve the right to alter data, specifications and component parts without prior notice. There may be alternative versions of this product, please contact us should you require this information.

**IMPORTANT:** No liability is accepted for incorrect use of product. Spare parts must be fitted by a competent person

**WARRANTY:** Guarantee is 12 months from purchase date, proof of which will be required for any claim.

Sealey Group, Kempson Way, Suffolk Business Park, Bury St Edmunds, Suffolk. IP32 7AR



01284 757500



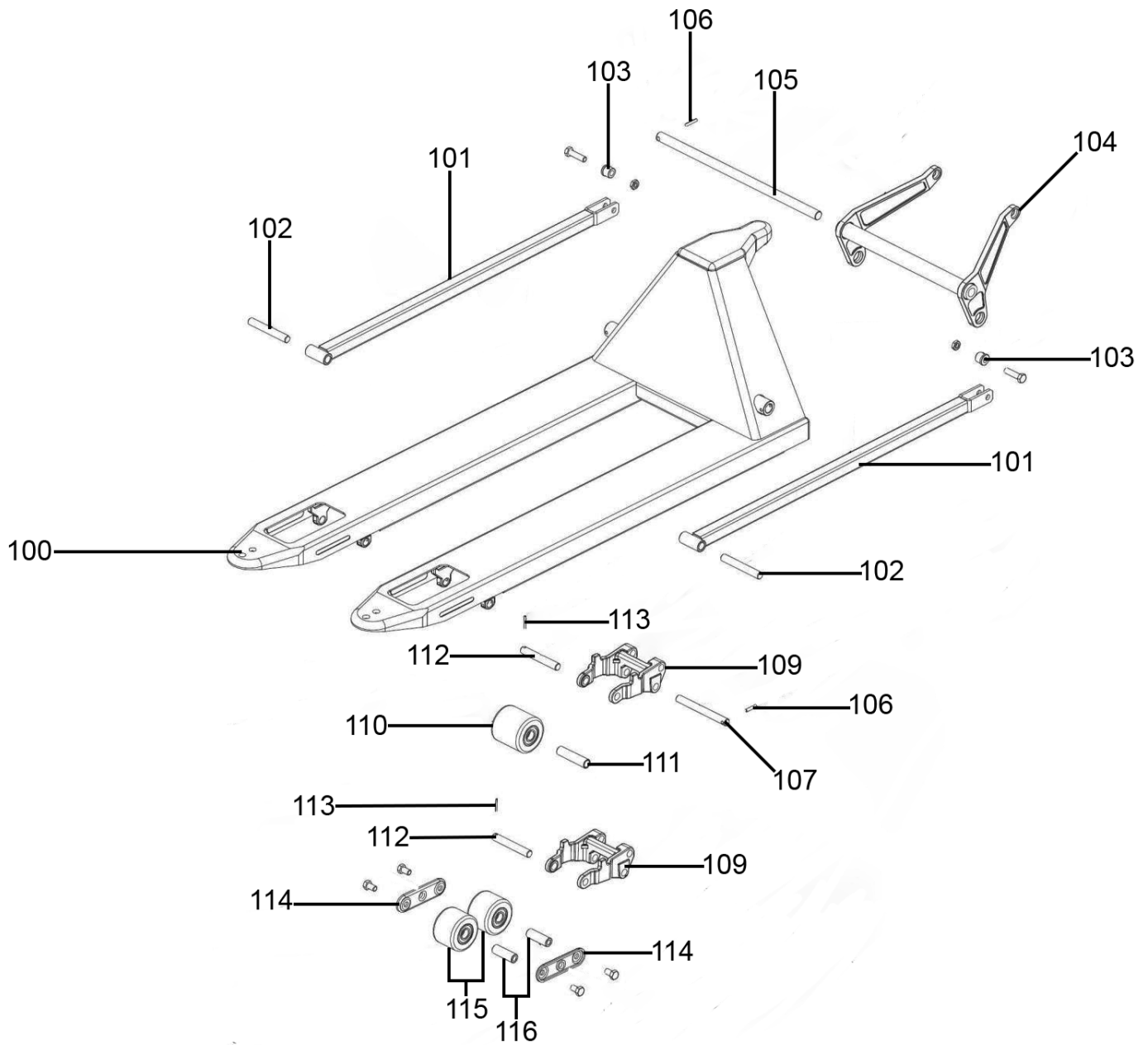
01284 703534



sales@sealey.co.uk



www.sealey.co.uk



Item	Part No.	Description
100	PT2200.100	Frame
101	PT2200.101	Push Rod
102	PT2200.102	Pin
103	PT2200.103	Bushing, Push Rod
104	PT2200.104	Arm, Rocker
105	PT2200.105	Axle, Rocker Arm
106	PT2200.106	Spring Pin
107	PT2200.107	Pin
109	PT2200.109	Frame, Roller

Item	Part No.	Description
110	PT2200.110	Roller
111	PT2200.111	Spacer, Roller
112	PT2200.112	Connection Pin
113	PT2200.113	Elastic Pin
114	PT2200.114	Link Plate
115	PT2200.115	Roller
116	PT2200.116	Spacer, Roller
--	PT2200.108	Nylon Roller (Not Shown)

**NOTE:** It is our policy to continually improve products and as such we reserve the right to alter data, specifications and component parts without prior notice. There may be alternative versions of this product, please contact us should you require this information.

**IMPORTANT:** No liability is accepted for incorrect use of product. Spare parts must be fitted by a competent person

**WARRANTY:** Guarantee is 12 months from purchase date, proof of which will be required for any claim.