

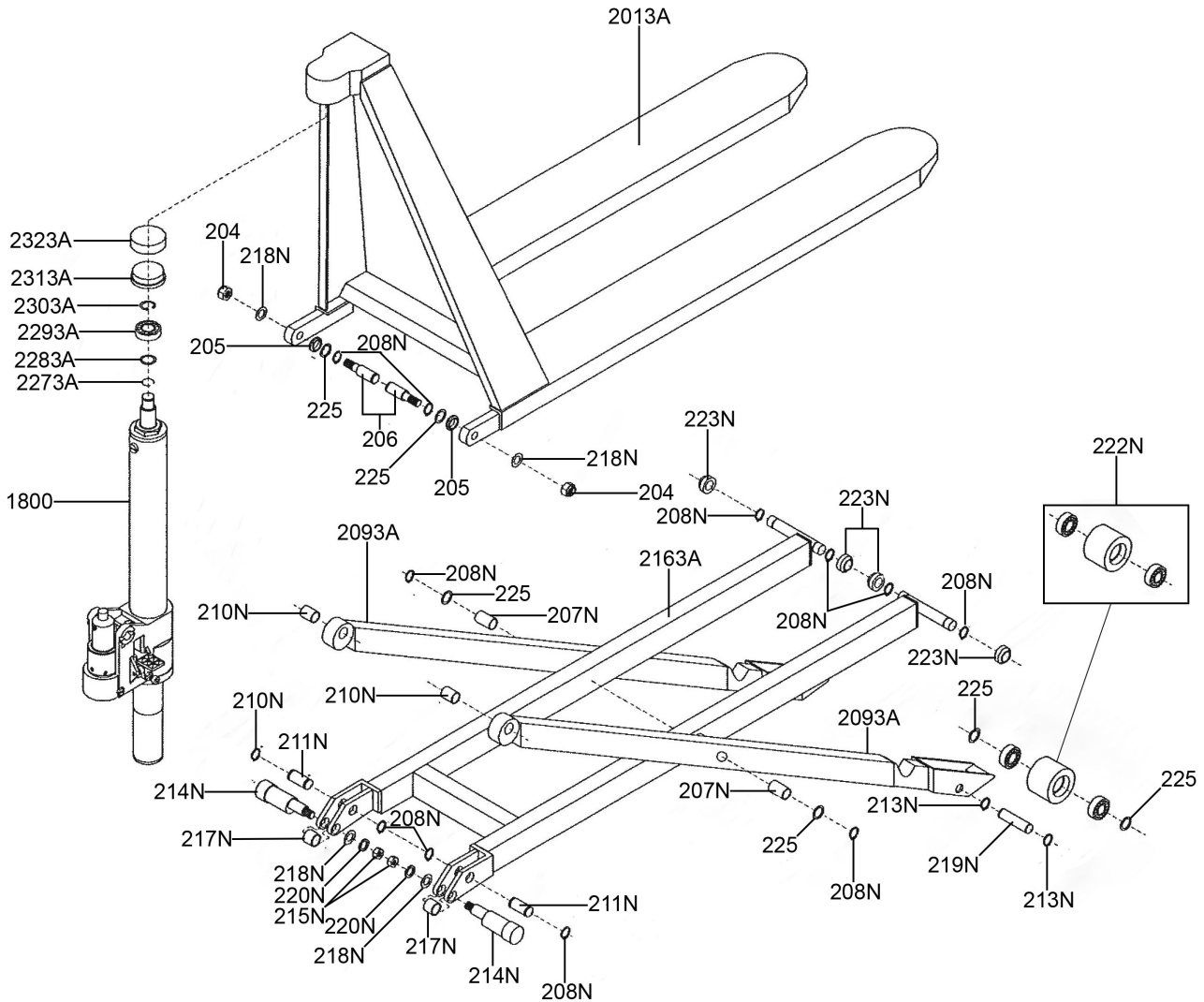
Item	Part No.	Description
101	PT1170H2.101	Release Rod Assembly
105	PT1170H2.105	Axle
106	PT1170H2.106	Elastic Pin
107	PT1170H2.107	Bushing
108	PT1170H2.108	Roller Pin
109	PT1170H2.109	Pressure Roller
109A	PT1170H2.109A	Bushing
110	PT1170H2.110	Draw-Bar
111	PT1170H2.111	Stop Rubber

Item	Part No.	Description
112	PT1170H2.112	Elastic Pin
113	PT1170H2.113	Blade Spring
114	PT1170H2.114	Spring
115	PT1170H2.115	Elastic Pin
116	PT1170H2.116	Elastic Pin
117	PT1170H2.117	Control Handle
118	PT1170H2.118	Roller
119	PT1170H2.119	Elastic Pin

NOTE: It is our policy to continually improve products and as such we reserve the right to alter data, specifications and component parts without prior notice. There may be alternative versions of this product, please contact us should you require this information.

IMPORTANT: No liability is accepted for incorrect use of product. Spare parts must be fitted by a competent person

WARRANTY: Guarantee is 12 months from purchase date, proof of which will be required for any claim.



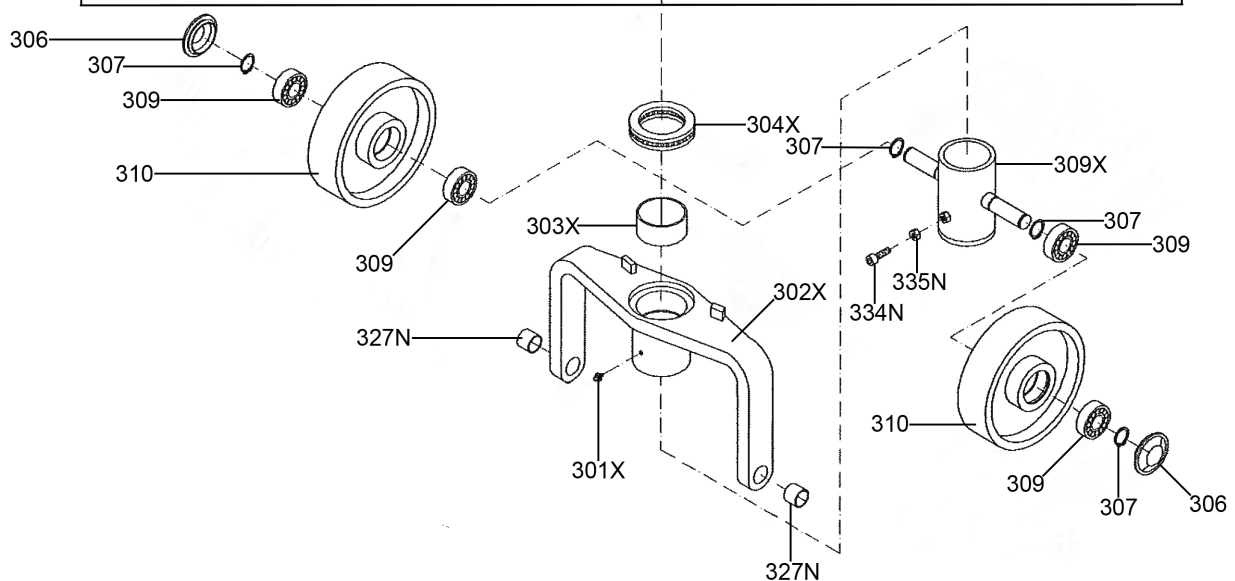
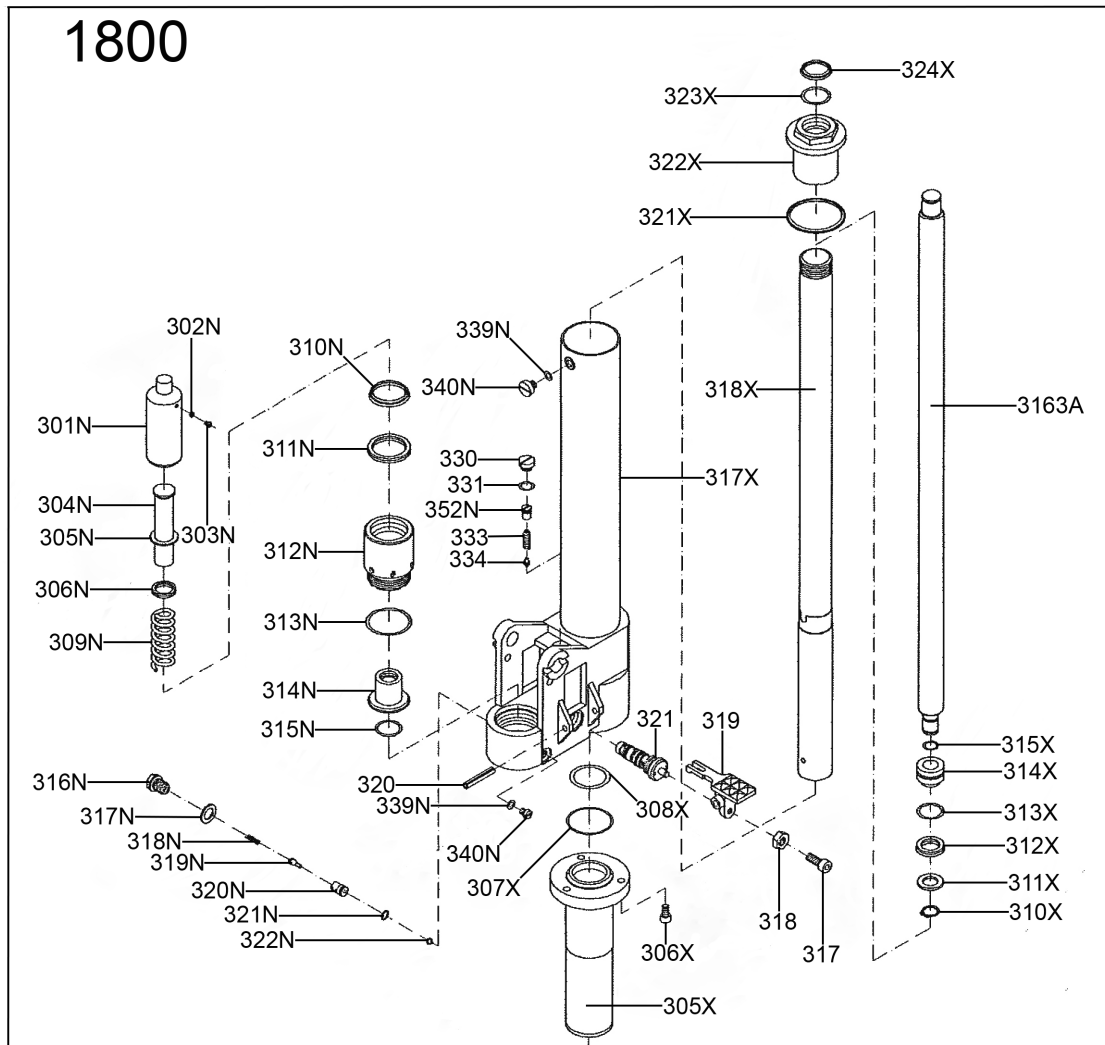
Item	Part No.	Description
204	PT1170H2.204	Nut
205	PT1170H2.205	Washer
206	PT1170H2.206	Pin
207N	PT1170H2.207N	Bushing
208N	PT1170H2.208N	Elastic Collar
210N	PT1170H2.210N	Bushing
211N	PT1170H2.211N	Pin
213N	PT2200.336	Circlip
214N	PT1170H2.214N	Axle
215N	PT1170H2.215N	Locking Nut
217N	PT1170H2.217N	Bushing
218N	PT1170H2.218N	Washer
219N	PT1170H2.219N	Shaft, Roller
220N	PT1170H2.220N	Elastic Washer

Item	Part No.	Description
222N	PT1170H2.222N	Roller (c/w Bearing)
223N	PT1170H2.223N	Steel Roller
225	PT1170H2.225	Washer
1800	PT1170H2.1800	Pump Assembly
2013A	PT1170H2.2013A	Fork Frame
2093A	PT1170H2.2093A	Leg, Lift
2163A	PT1170H2.2163A	Leg, Inner
2273A	PT1170H2.2273A	Steel Cable Baffle Ring
2283A	PT1170H2.2283A	Washer
2293A	PT1170H2.2293A	Bearing
2303A	PT1170H2.2303A	Circlip, Shaft
2313A	PT1170H2.2313A	Seat, Bearing
2323A	PT1170H2.2323A	Rubber Cover

NOTE: It is our policy to continually improve products and as such we reserve the right to alter data, specifications and component parts without prior notice. There may be alternative versions of this product, please contact us should you require this information.

IMPORTANT: No liability is accepted for incorrect use of product. Spare parts must be fitted by a competent person

WARRANTY: Guarantee is 12 months from purchase date, proof of which will be required for any claim.



NOTE: It is our policy to continually improve products and as such we reserve the right to alter data, specifications and component parts without prior notice. There may be alternative versions of this product, please contact us should you require this information.

IMPORTANT: No liability is accepted for incorrect use of product. Spare parts must be fitted by a competent person

WARRANTY: Guarantee is 12 months from purchase date, proof of which will be required for any claim.



Parts Information:
Pallet Truck 1000kg 1170 x 540mm High Lift
Model No: PT1170H.V2

Item	Part No.	Description
301N	PT1170H2.301N	Piston, Quick Lift
301X	GNM19S	Grease Nipple
302N	PT1170H2.302N	Seal Washer
302X	PT1170H2.302X	Thrust Plate
303N	PT1170H2.303N	Screw, Deflating
303X	PT1170H2.303X	Bushing
304N	PT1170H2.304N	Piston, Slow Lifting
304X	PT1170H2.304X	Bearing
305N	PT1170H2.305N	Washer, Spring
305N	PT1170H2.305X	Cylinder, Lower
306	PT1170H2.306	Dust Cover
306N	PT1170H2.306N	Y-Ring
306X	PT1170H2.306X	Screw
307	PT1170H2.307	Circlip
307X	PT1170H2.307X	O-Ring
308X	PT1170H2.308X	O-Ring
309	PT1170H2.309	Bearing
309N	PT1170H2.309N	Spring
309X	PT1170H2.309X	Holding Site, Wheel
310	PT1170H2.310	Steering Wheel
310N	PT1170H2.310N	Dust Ring
310X	PT1170H2.310X	Locking Ring
311N	PT1170H2.311N	Y-Ring
311X	PT1170H2.311X	Washer
312N	PT1170H2.312N	Pump Cylinder, Quick Lift
312X	PT1170H2.312X	Y-Ring
313N	PT1170H2.313N	O-Ring
313X	PT1170H2.313X	O-Ring
314N	PT1170H2.314N	Pump Cylinder, Slow Lift
314X	PT1170H2.314X	Piston
315N	PT1170H2.315N	O-Ring

Item	Part No.	Description
315X	PT1170H2.315X	O-Ring
316N	PT1170H2.316N	Screw
317	PT1170H2.317	Screw
317N	PT1170H2.317N	Seal Washer
317X	PT1170H2.317X	Pump Body
318	PT1170H2.318	Nut
318N	PT1170H2.318N	Spring
318X	PT1170H2.318X	Cylinder
319	PT1170H2.319	Lever Plate
319N	PT1170H2.319N	Spindle, Pump Valve
320	PT1170H2.320	Elastic Pin
320N	PT1170H2.320N	Seat, Valve
321	PT1170H2.321	Valve Cartridge
321N	PT1170H2.321N	O-Ring
321X	PT1170H2.321X	Seal Washer
322N	PT1170H2.322N	Steel Ball
322X	PT1170H2.322X	Screw Cover
323X	PT1170H2.323X	O-Ring
324X	PT1170H2.324X	Dust Ring
327N	PT1170H2.327N	Bushing
330	PT1170H2.330	Screw Plug
331	PT1170H2.331	O-Ring
333	PT1170H2.333	Spring
334	PT1170H2.334	Spindle, Safety Valve
334N	PT1170H2.334N	Screw
335N	PT1170H2.335N	Nut
339N	PT1170H2.339N	O-Ring
340N	PT1170H2.340N	Screw
352N	PT1170H2.352N	Adjusting Bolt
3163A	PT1170H23163A	Piston Rod

NOTE: It is our policy to continually improve products and as such we reserve the right to alter data, specifications and component parts without prior notice. There may be alternative versions of this product, please contact us should you require this information.

IMPORTANT: No liability is accepted for incorrect use of product. Spare parts must be fitted by a competent person

WARRANTY: Guarantee is 12 months from purchase date, proof of which will be required for any claim.

Sealey Group, Kempson Way, Suffolk Business Park, Bury St Edmunds, Suffolk. IP32 7AR



01284 757500



01284 703534



sales@sealey.co.uk



www.sealey.co.uk