

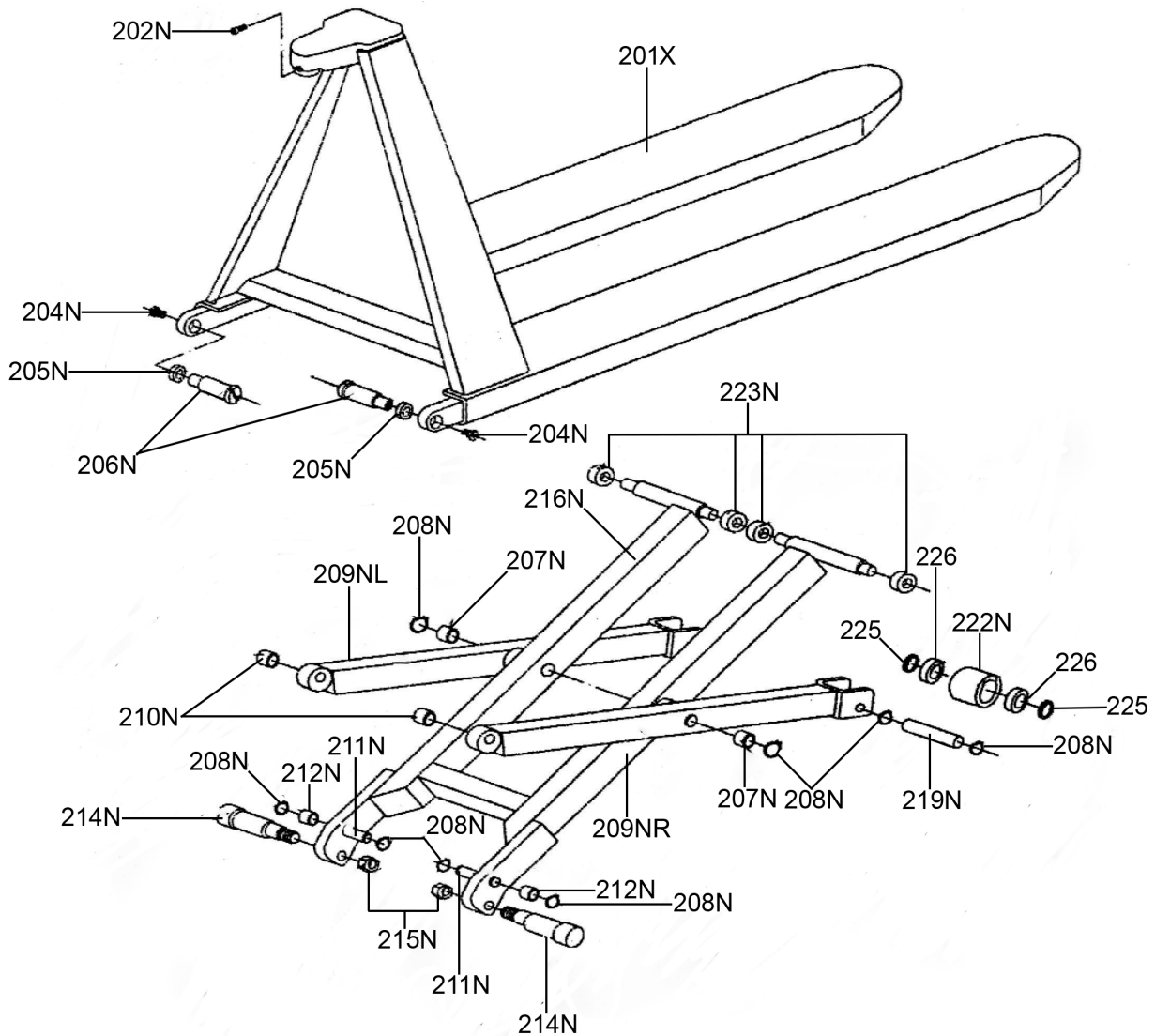
Item	Part No.	Description
101N	PT1170H.101N	Release Rod Assembly
105	PT1150.V2-105	Axle
106	PT1150.V2-106	Elastic Pin
107	PT1150.V2-107	Bushing
108	PT1170H.108	Roller Pin
109	PT1170H.109	Pressure Roller
109A	PT1170H.109A	Bushing
110N	PT1170H.110N	Draw Bar
111	PT1170H.111	Rubber Stop
112	PT1170H.112	Elastic Pin
113	PT1170H.113	Blade Spring
114	PT1170H.114	Spring

Item	Part No.	Description
115	PT1170H.115	Elastic Pin
116	PT1170H.116	Elastic Pin
117	PT1170H.117	Control Handle
118	PT1170H.118	Roller
119	PT1170H.119	Elastic Pin
--	PT1170H.102	Chain (Not Shown)
--	PT1150SC2.103	Adjusting Bolt M5 x 32mm (Not Shown)
--	NLN5.S	Nyloc Nut M5 (Not Shown)
--	PT1170H.121	Pull Board (Not Shown)
--	PT1170H.122	Pin (Not Shown)
--	PT1170H.NHDX	Handle Assembly (Not Shown)

**NOTE:** It is our policy to continually improve products and as such we reserve the right to alter data, specifications and component parts without prior notice. There may be alternative versions of this product, please contact us should you require this information.

**IMPORTANT:** No liability is accepted for incorrect use of product. Spare parts must be fitted by a competent person

**WARRANTY:** Guarantee is 12 months from purchase date, proof of which will be required for any claim.



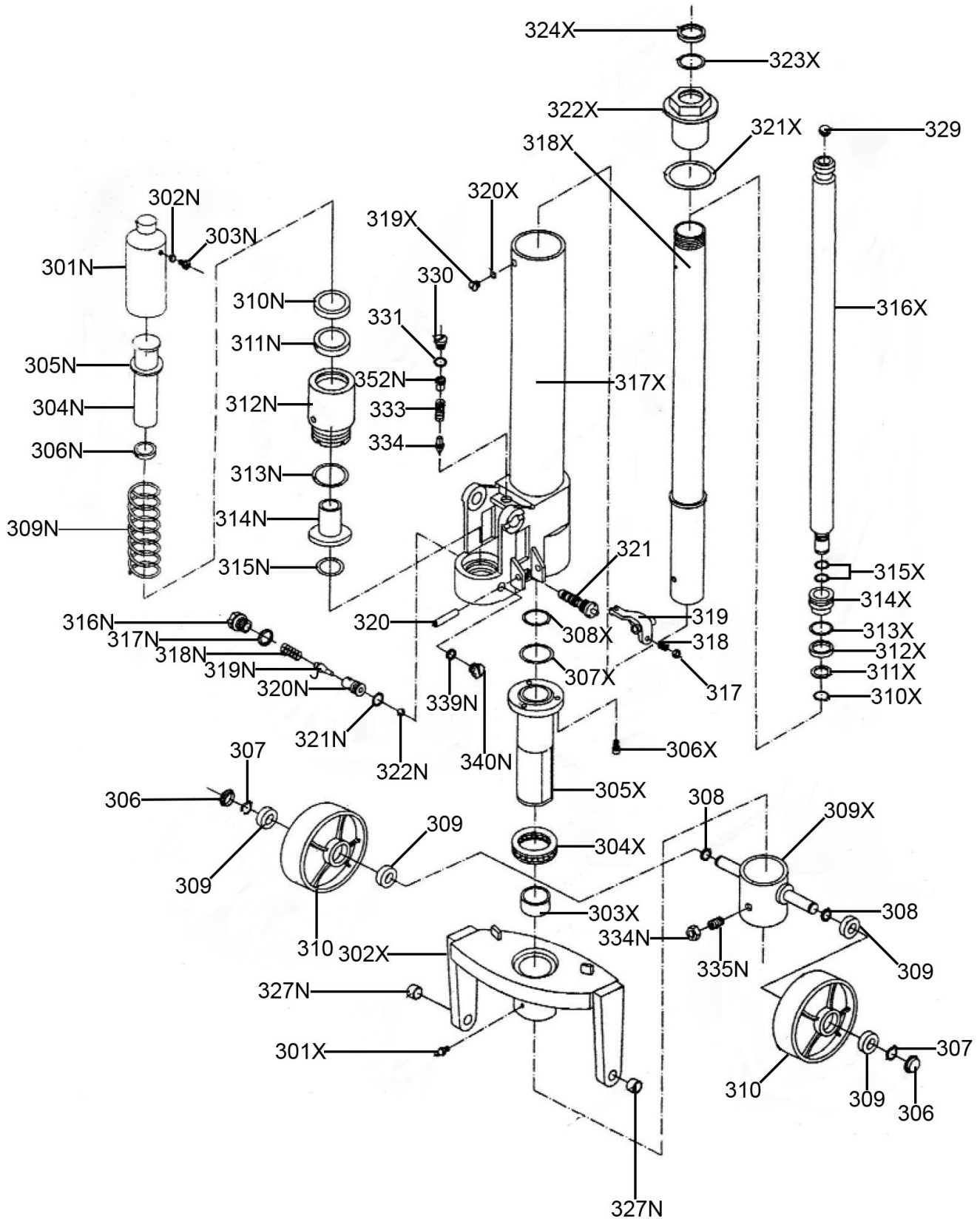
Item	Part No.	Description
201X	PT1170H.201X	Fork Frame
202N	PT1170H.202N	Skt. Hd Bolt M6 x 16mm
204N	PT1170H.204N	Screw
205N	PT1170H.205N	Zinc Yellow Disc
206N	PT1170H.206N	Pin
207N	PT1170H.207N	Bushing
208N	SM353CEV2.048	Circlip
209NL	PT1170H.209NL	Leg, Left
209NR	PT1170H.209NR	Leg, Right
210N	PT1170H.210N	Bushing
211N	PT1170H.211N	Pin

Item	Part No.	Description
212N	PT1170H.212N	Bushing
214N	PT1170H.214N	Axle
215N	PT1170H.215N	Nyloc Nut, Fine Pitch M18 x 1.5mm
216N	PT1170H.216N	Leg, Inner
219N	PT1170H.219N	Shaft Roller
222N	PT1170H.222N	Roller
223N	PT1170H.223N	Steel Roller
225	PT1170H.225	Seal Ring
226	B/6204-2RS	Bearing
--	PT1170H.NRX	Load Roller Assembly (Not Shown)

**NOTE:** It is our policy to continually improve products and as such we reserve the right to alter data, specifications and component parts without prior notice. There may be alternative versions of this product, please contact us should you require this information.

**IMPORTANT:** No liability is accepted for incorrect use of product. Spare parts must be fitted by a competent person

**WARRANTY:** Guarantee is 12 months from purchase date, proof of which will be required for any claim.



**NOTE:** It is our policy to continually improve products and as such we reserve the right to alter data, specifications and component parts without prior notice. There may be alternative versions of this product, please contact us should you require this information.

**IMPORTANT:** No liability is accepted for incorrect use of product. Spare parts must be fitted by a competent person

**WARRANTY:** Guarantee is 12 months from purchase date, proof of which will be required for any claim.



Parts Information:  
Pallet Truck 1000kg 1170 x 540mm High Lift  
Model No: PT1170H

Item	Part No.	Description
301N	PT1170H.301N	Piston, Quick Lifting
301X	GNM19S	Grease Nipple
302N	PT1170H.302N	Seal Washer
302X	PT1170H.302X	Thrust Plate
303N	PT1170H.303N	Deflating Screw
303X	PT1170H.303X	Bushing
304N	PT1170H.304N	Piston, Slow Lifting
304X	B/51112	Bearing Race
305N	PT1170H.305N	Thick Washer M20
305X	PT1170H.305X	Cylinder, Lower
306	PT1170H.306	Dust Cover
306N	PT1170H.306N	Y-Ring
306X	PT1170H.306X	Screw
307	PT2200.336	Circlip
307X	PT1170H.307X	O-Ring
308	PT1170H.308	Ring Washer, White Nylon
308X	PT1170H.308X	O-Ring
309	B/6204-2RS	Bearing
309N	PT1170H.309N	Spring
309X	PT1170H.309X	Holding Site
310	PT1170H.310	Wheel, Fixed (c/w Bearings)
310N	PT1170H.310N	Dust Ring
310X	PT1170H.310X	Locking Ring
311N	PT1170H.311N	Rubber Seal
311X	PT1170H.311X	Washer
312N	PT1170H.312N	Pump Cylinder, Quick Lifting
312X	PT1170H.312X	Y-Ring
313N	PT1170H.313N	O-Ring
313X	PT1170H.313X	O-Ring
314N	PT1170H.314N	Pump Cylinder, Slow Lifting
314X	PT1170H.314X	Piston
315N	PT1170H.315N	O-Ring
315X	PT1170H.315X	O-Ring
316N	PT1170H.316N	Screw
316X	PT1170H.316X	Piston Rod

Item	Part No.	Description
317	SN8.S	Nut M8
317N	PT1170H.317N	Seal Washer
317X	PT1170H.317X	Pump Body
318	PT1170H.318	Screw
318N	PT1170H.318N	Spring
318X	PT1170H.318X	Cylinder
319	PT1170H.319	Lever Plate
319N	PT1170H.319N	Spindle, Pump Valve
319X	PT1170H.319X	Screw
320	PT1170H.320	Elastic Pin
320N	PT1170H.320N	Valve Seat
320X	PT1170H.320X	Seal Washer
321	PT1170H.321	Valve Cartridge
321N	PT1170H.321N	O-Ring
321X	PT1170H.321X	Seal Washer
322N	SB-8.7	Steel Ball
322X	PT1170H.322X	Screw Cover
323X	PT1170H.323X	O-Ring
324X	PT1170H.324X	Dust Ring
327N	PT1170H.327N	Bushing
329	PT1150LD.D146	Steel Ball
330	PT1170H.330	Screw Plug
331	PT1170H.331	O-Ring
333	PT1170H.333	Spring
334	PT1170H.334	Safety Valve Spindle
334N	SN10.S	Nut
335N	PT1170H.335N	Screw
339N	PT1170H.339N	Seal Washer
340N	PT1170H.340N	Screw
352N	PT1170H.352N	Adjusting Bolt M12 x 15mm
--	PT1170H.NGX	Wheel Assembly (Not Shown)
--	PT1170H.NPX	Piston Assembly (Not Shown)
--	PT1170H.NSX	Safety Valve Assembly (Not Shown)
--	PT1170H.NVX	Seal Kit Assembly (Not Shown)

**NOTE:** It is our policy to continually improve products and as such we reserve the right to alter data, specifications and component parts without prior notice. There may be alternative versions of this product, please contact us should you require this information.

**IMPORTANT:** No liability is accepted for incorrect use of product. Spare parts must be fitted by a competent person

**WARRANTY:** Guarantee is 12 months from purchase date, proof of which will be required for any claim.

Sealey Group, Kempson Way, Suffolk Business Park, Bury St Edmunds, Suffolk. IP32 7AR



01284 757500



01284 703534



sales@sealey.co.uk



www.sealey.co.uk