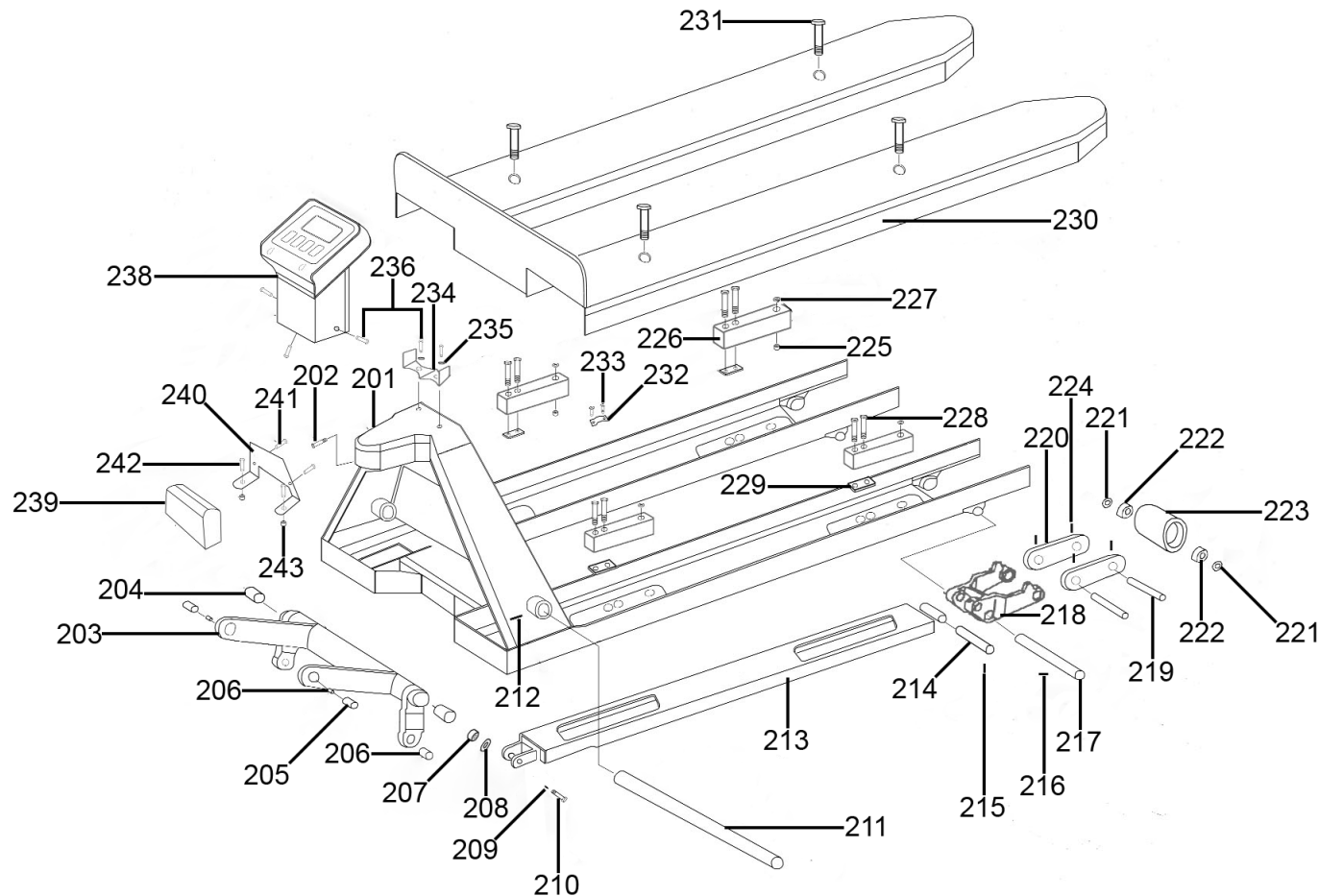




Parts Information:
Pallet Truck 2000kg 1150 x 555mm with Scales
Model No: PT1150SC.V2

FRAME ASS'Y



NOTE: It is our policy to continually improve products and as such we reserve the right to alter data, specifications and component parts without prior notice.

There may be alternative versions of this product, please contact us should you require this information.

IMPORTANT: No liability is accepted for incorrect use of product. Spare parts must be fitted by a competent person

WARRANTY: Guarantee is 12 months from purchase date, proof of which will be required for any claim.

Sealey Group, Kempson Way, Suffolk Business Park, Bury St Edmunds, Suffolk. IP32 7AR



01284 757500



01284 703534



sales@sealey.co.uk



www.sealey.co.uk



Parts Information:
Pallet Truck 2000kg 1150 x 555mm with Scales
Model No: PT1150SC.V2

Item	Part No.	Description
201	PT1150SC2.201	Chassis
202	SCB616.S	Socket Cap Bolt M6 x 16mm
203	PT1150SC2.203	Rock-Arm
204	PT1150SC2.204	Bushing
205	PT1150SC2.205	Shaft
206	PT1150SC2.206	Bushing
207	PT1150SC2.207	Castle Nut
208	PT1150SC2.208	Seal Ring
209	PT1150SC2.209	Split Pin
210	PT1150SC2.210	Bolt, Square Head M12 x 55mm
211	PT1150SC2.211	Long Shaft
212	PT1150SC2.212	Spring Pin
213	PT1150SC2.213	Pushing Rod
214	PT1150SC2.214	Shaft
215	PT1150SC2.215	Spring Pin
216	PT1150SC2.216	Spring Pin
217	PT1150SC2.217	Shaft
218	PT1150SC2.218	Frame, Roller
219	PT1150SC2.219	Axle, Roller
220	PT1150SC2.220	Linking Plate
221	PT1150SC2.221	Seal Ring

Item	Part No.	Description
222	B/6204-2RS	Bearing
223	PT1150SC2.223	Load Roller
224	PT1150SC2.224	Spring Pin
225	NLN12.S	Nyloc Nut M12
226	PT1150SC2.226	Load Cell Assembly
227	PT1150SC2.227	Spacer
228	SCB1235.S	Socket Cap Bolt M12 x 35mm
229	PT1150SC2.229	Mounting Plate, Load Cell
230	PT1150SC2.230	Fork Shoe
231	PT1150SC2.231	Bolt, Fork Shoe
232	PT1150SC2.232	Clamp, Cable
233	PT1150SC2.233	Screw
234	PT1150SC2.234	Support Bracket, Indicator
235	SWM8.S	Spring Washer M8
236	SCB815.S	Socket Cap Bolt M8 x 15mm
238	PT1150SC2.238	Display Unit
239	PT1150SC2.239	Junction Box
240	PT1150SC2.240	Mounting Bracket, Junction Box
241	PT1150SC2.241	Screw
242	MSP516.S	Machine Screw Pan Head Phillips M5 x 16mm
243	NLN5.S	Nyloc Nut M5

NOTE: It is our policy to continually improve products and as such we reserve the right to alter data, specifications and component parts without prior notice. There may be alternative versions of this product, please contact us should you require this information.

IMPORTANT: No liability is accepted for incorrect use of product. Spare parts must be fitted by a competent person

WARRANTY: Guarantee is 12 months from purchase date, proof of which will be required for any claim.

Sealey Group, Kempson Way, Suffolk Business Park, Bury St Edmunds, Suffolk. IP32 7AR



01284 757500



01284 703534

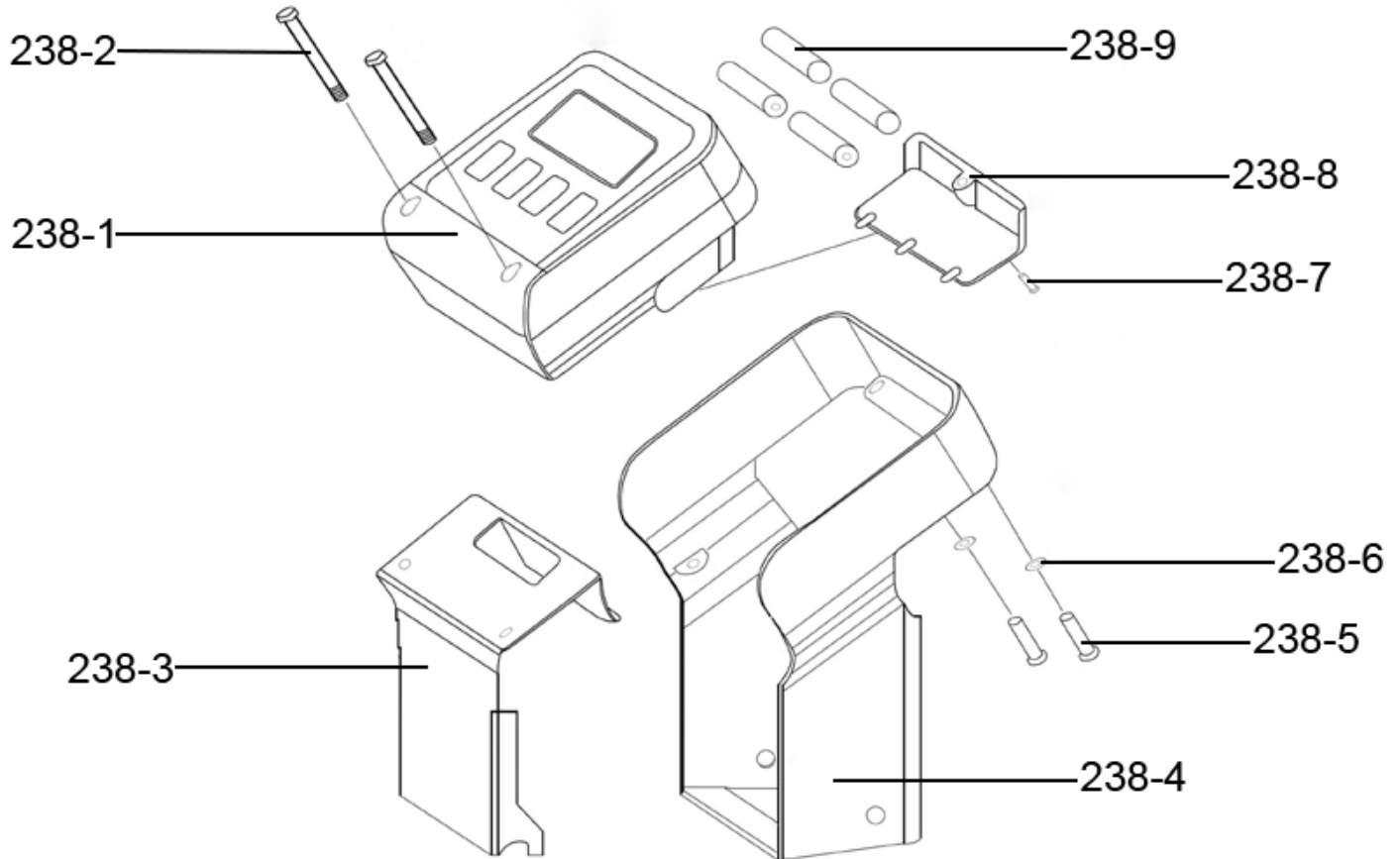


sales@sealey.co.uk



www.sealey.co.uk

DISPLAY UNIT



Item	Part No.	Description
238-1	PT1150SC.238A	Indicator
238-2	SCB630.S	Socket Cap Bolt M6 x 30mm
238-3	PT1150SC.238C	Indicator Complete
238-4	PT1150SC.238D	Indicator Support
238-5	PT1150SC.238E	Bolt

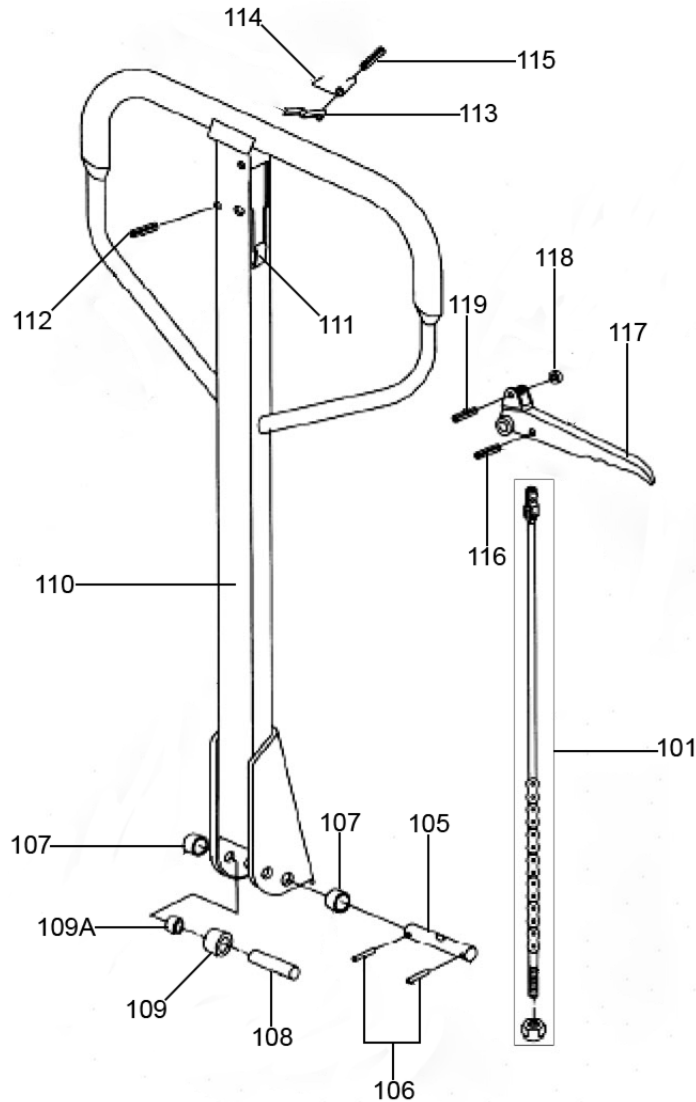
Item	Part No.	Description
238-6	PT1150SC.238F	Washer
238-7	PT1150SC.238G	Bolt
238-8	PT1150SC.238H	Battery Cover
238-9	PT1150SC.238I	Batteries

NOTE: It is our policy to continually improve products and as such we reserve the right to alter data, specifications and component parts without prior notice. There may be alternative versions of this product, please contact us should you require this information.

IMPORTANT: No liability is accepted for incorrect use of product. Spare parts must be fitted by a competent person

WARRANTY: Guarantee is 12 months from purchase date, proof of which will be required for any claim.

HANDLE ASS'Y



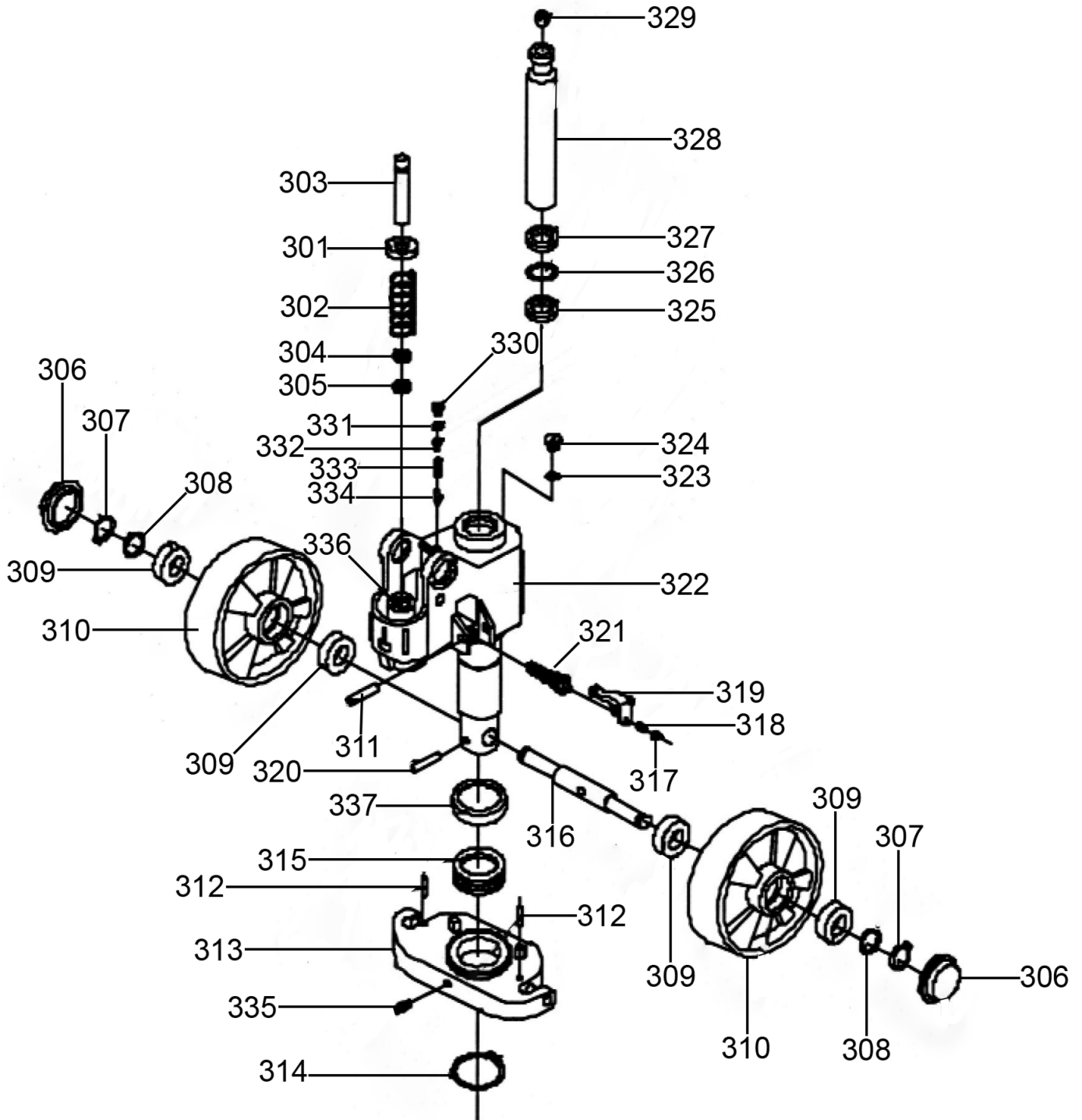
Item	Part No.	Description
101	PT1150SC2.101	Release Rod
105	PT1150SC2.105	Axle
106	PT1150SC2.106	Spring Pin
107	PT1150SC2.107	Bushing
108	PT1150SC2.108	Roller Pin
109	PT1150SC2.109	Pressure Roller
109A	PT1150SC.109A	Bushing
110	PT1150SC2.110	Draw-Bar
111	PT1150SC2.111	Stop Rubber
112	PT1150SC2.112	Spring Pin
113	PT1150SC2.113	Blade Spring

Item	Part No.	Description
114	PT1150SC2.114	Spring
115	SA291.V3-43	Spring Pin
116	PT1150/307	Spring Pin
117	PT1150SC2.117	Control Handle
118	PT1150SC2.118	Roller
119	PT1150SC2.119	Spring Pin
--	PT1150SC2.102	Chain (Not Shown)
--	PT1150SC2.103	Adjusting Bolt M5 x 32mm (Not Shown)
--	NLN5.S	Nyloc Nut M5 (Not Shown)
--	PT1150SC2.120	Pin (Not Shown)
--	PT1150SC2.121	Pull Board (Not Shown)

NOTE: It is our policy to continually improve products and as such we reserve the right to alter data, specifications and component parts without prior notice. There may be alternative versions of this product, please contact us should you require this information.

IMPORTANT: No liability is accepted for incorrect use of product. Spare parts must be fitted by a competent person

WARRANTY: Guarantee is 12 months from purchase date, proof of which will be required for any claim.



NOTE: It is our policy to continually improve products and as such we reserve the right to alter data, specifications and component parts without prior notice. There may be alternative versions of this product, please contact us should you require this information.

IMPORTANT: No liability is accepted for incorrect use of product. Spare parts must be fitted by a competent person

WARRANTY: Guarantee is 12 months from purchase date, proof of which will be required for any claim.



Parts Information:
Pallet Truck 2000kg 1150 x 555mm with Scales
Model No: PT1150SC.V2

Item	Part No.	Description
301	PT1150SC2.301	Spring Cap
302	PT1150SC2.302	Spring
303	PT1150SC2.303	Pump Piston
304	PT1150SC2.304	Seal Ring
305	PT1150SC2.305	Seal
306	PT1150SC2.306	Dust Cover
307	PT2200.336	Circlip
308	PT1150SC2.308	Seal Ring
309	B/6204-2RS	Bearing
310	PT1150SC2.310	Loading Wheel, Fixed
311	PT1150SC2.311	Elastic Pin
312	PT1150SC2.312	Spring Pin
313	PT1150SC2.313	Thrust Plate
314	PT1150SC2.314	Circlip
315	B/5111	Bearing Race
316	PT1150SC2.316	Shaft, Loading Wheel
317	SN8.S	Steel Nut M8
318	PT1150SC2.318	Screw
319	PT1150SC2.319	Level Plate

Item	Part No.	Description
320	PT1150SC2.320	Spring Pin
321	PT1150SC2.321	Valve Cartridge
322	PT1150SC2.322	Pump Body
323	PT1150SC2.323	Seal Washer
324	PT1150SC2.324	Screw Plug
325	PT1150SC2.325	Seal
326	AK45X.V2-29	O-Ring
327	PT1150SC2.327	Dust Ring
328	PT1150SC2.328	Piston Rod
329	SB-18.2	Steel Ball
330	PT1150SC2.330	Screw Plug
331	PT1150SC2.331	O-Ring
332	PT1150SC2.332	Bolt
333	PT1150SC2.333	Spring
334	PT1150SC2.334	Spindle, Safety Valve
335	GNM19S	Grease Nipple
336	PT1150SC2.336	Cylinder
337	PT1150SC2.337	Cover, Bearing

NOTE: It is our policy to continually improve products and as such we reserve the right to alter data, specifications and component parts without prior notice. There may be alternative versions of this product, please contact us should you require this information.

IMPORTANT: No liability is accepted for incorrect use of product. Spare parts must be fitted by a competent person

WARRANTY: Guarantee is 12 months from purchase date, proof of which will be required for any claim.

Sealey Group, Kempson Way, Suffolk Business Park, Bury St Edmunds, Suffolk. IP32 7AR



01284 757500



01284 703534



sales@sealey.co.uk



www.sealey.co.uk