

Item	Part No.	Description
1	PT1150SC.101	Release Rod
2	PT1150SC.102	Chain (c/w Bolt)
4	NLN5.S	Nyloc Nut M5
5	PT1150SC.105	Axle
6	PT1150/223	Spring Pin M5.5 x 35mm
7	PT1150SC.107	Bushing
8	PT1150SC.108	Roller Pin
9	PT1150SC.109	Pressure Roller
9A	PT1150SC.109A	Bushing
10	PT1150SC.110	Operating Handle
11	PT1150SC.111	Rubber Stop

Item	Part No.	Description
12	PT1150SC.112	Elastic Pin
13	PT1150SC.113	Blade Spring
14	PT1150SC.114	Spring
15	PT1150SC.115	Elastic Pin
16	PT1150SC.116	Elastic Pin
17	PT1150SC.117	Control Lever
18	PT1150SC.118	Roller
19	PT1150SC.119	Elastic Pin
21	PT1150SC.121	Pull Board
22	PT1150SC.122	Pin

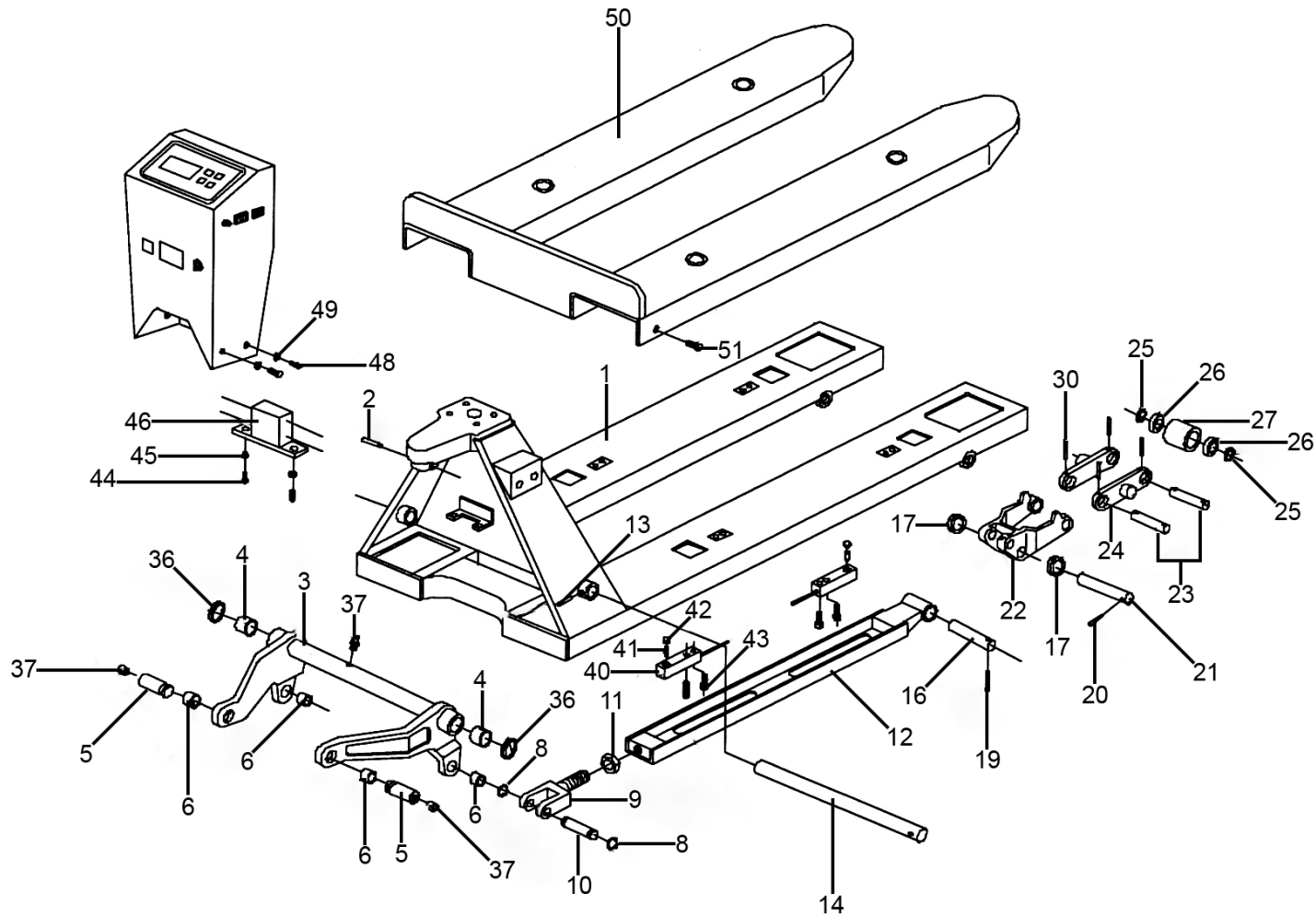
NOTE: It is our policy to continually improve products and as such we reserve the right to alter data, specifications and component parts without prior notice. There may be alternative versions of this product, please contact us should you require this information.

IMPORTANT: No liability is accepted for incorrect use of product. Spare parts must be fitted by a competent person

WARRANTY: Guarantee is 12 months from purchase date, proof of which will be required for any claim.



Parts Information:
Pallet Truck 2000kg 1150 x 568mm with Scales
Model No: PT1150SC



NOTE: It is our policy to continually improve products and as such we reserve the right to alter data, specifications and component parts without prior notice.

There may be alternative versions of this product, please contact us should you require this information.

IMPORTANT: No liability is accepted for incorrect use of product. Spare parts must be fitted by a competent person

WARRANTY: Guarantee is 12 months from purchase date, proof of which will be required for any claim.

Sealey Group, Kempson Way, Suffolk Business Park, Bury St Edmunds, Suffolk. IP32 7AR



01284 757500



01284 703534



sales@sealey.co.uk



www.sealey.co.uk



Parts Information:
Pallet Truck 2000kg 1150 x 568mm with Scales
Model No: PT1150SC

Item	Part No.	Description
1	PT1150SC.201B	Fork Frame, Main
2	PT1150SC.202	Elastic Pin
3	PT1150SC.203B	Rock Arm
4	PT1150SC.204	Bushing
5	PT1150SC.205	Shaft
6	PT1150SC.206	Bushing
8	PT1150SC.208	Retaining Ring
9	PT1150SC.209B	Joint
10	PT1150SC.210B	Pin
11	PT1150SC.211B	Nut
12	PT1150SC.212B	Pushing Rod
13	PT1150SC.213B	Elastic Pin
14	PT1150SC.214B	Long Shaft
16	PT1150SC.216B	Shaft
17	PT1150SC.217B	Washer
19	PT1150SC.219	Elastic Pin
20	PT1150SC.220	Elastic Pin
21	PT1150SC.221B	Shaft
22	PT1150SC.222B	Roller Frame

Item	Part No.	Description
23	PT1150SC.223	Roller Shaft
24	PT1150SC.224B	Link Plate
25	PT1150SC.225	Washer
26	B/6204-2RS	Bearing
27	PT1150SC.227B	Load Roller
30	PT1150SC.230	Elastic Pin
36	PT1150SC.236	Washer
37	GNM19S	Grease Nipple
40	PT1150SC.240B	Load Cell
41	PT1150SC.241B	Pin
42	PT1150SC.242B	Holding Seat
43	PT1150SC.243B	Screw
44	PT1150SC.244B	Screw
45	SN5.S	Steel Nut M5
46	PT1150SC.246B	Cable Box
48	SCB825.S	Socket Cap Bolt M8 x 25mm
49	FWM8.S	Flat Washer M8
50	PT1150SC.250B	Platform Forks, Upper
51	PT1150SC.251B	Screw

NOTE: It is our policy to continually improve products and as such we reserve the right to alter data, specifications and component parts without prior notice. There may be alternative versions of this product, please contact us should you require this information.

IMPORTANT: No liability is accepted for incorrect use of product. Spare parts must be fitted by a competent person

WARRANTY: Guarantee is 12 months from purchase date, proof of which will be required for any claim.

Sealey Group, Kempson Way, Suffolk Business Park, Bury St Edmunds, Suffolk. IP32 7AR



01284 757500



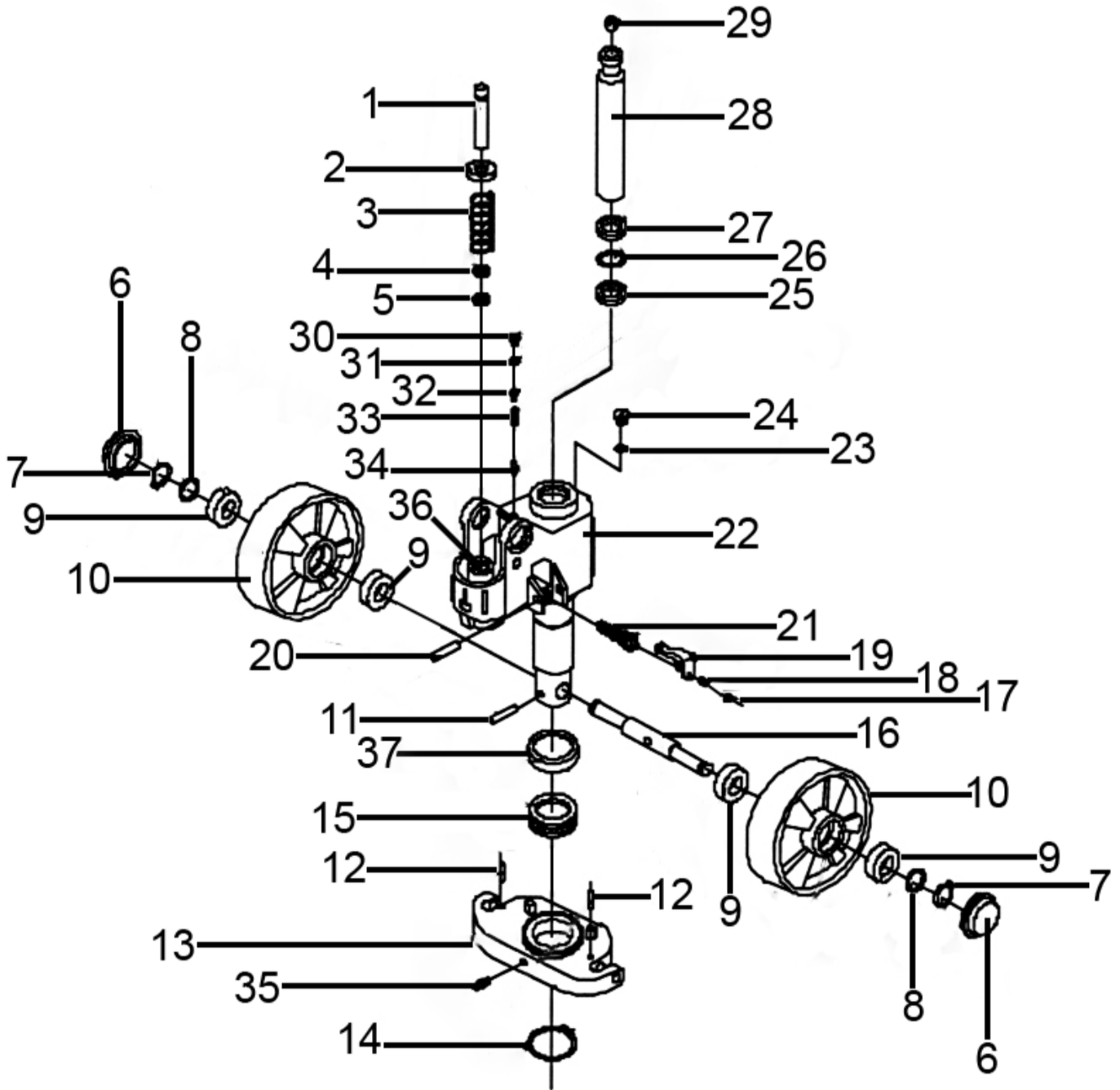
01284 703534



sales@sealey.co.uk



www.sealey.co.uk



NOTE: It is our policy to continually improve products and as such we reserve the right to alter data, specifications and component parts without prior notice. There may be alternative versions of this product, please contact us should you require this information.

IMPORTANT: No liability is accepted for incorrect use of product. Spare parts must be fitted by a competent person

WARRANTY: Guarantee is 12 months from purchase date, proof of which will be required for any claim.



Parts Information:
Pallet Truck 2000kg 1150 x 568mm with Scales
Model No: PT1150SC

Item	Part No.	Description
1	PT1150SC.301	Spring Cap
2	PT1150SC.302	Spring
3	PT1150SC.303	Pump Piston
4	PT1150SC.304	Dust Ring
5	PT1150SC.305	Seal
6	PT1150SC.306	Dust Cover
7	PT1150SC.307	Locking Ring
8	PT1150SC.308	Washer
9	B/6204-2RS	Bearing
10	PT1150LD.D116	Wheel, Fixed
11	PT1150SC.311	Elastic Pin
12	PT1150SC.312	Elastic Pin
13	PT1150SC.313	Thrust Plate
14	PT1150SC.314	Retaining Ring
15	B/51111	Bearing Race
16	PT1150SC.316	Wheel Shaft
17	PT1150SC.317	Nut
18	PT1150SC.318	Screw
19	PT1150SC.319	Lever Plate
20	PT1150SC.320	Elastic Pin

Item	Part No.	Description
21	PT1150SC.321	Valve Cartridge
22	PT1150SC.322B	Pump Body
23	PT1150SC.323	Seal Washer
24	PT1150SC.324	Screw Plug
25	PT1150SC.325	Seal
26	PT1150SC.326	O-Ring
27	PT1150SC.327	Dust Ring
28	PT1150SC.328	Piston Rod
29	PT1150SC.329	Steel Ball
30	PT1150SC.330	Screw Plug
31	PT1150SC.331	O-ring
32	PT1150SC.332	Bolt
33	PT1150SC.333	Spring
34	PT1150SC.334	Safety Valve Spindle
35	GNM19S	Grease Nipple
36	PT1150SC.336	Cylinder
37	PT1150SC.337	Bearing Cover
--	PT1150SC.RK	Repair Kit (Not Shown)
--	PT1150SC.UNIT	Hydraulic Unit Assembly (Not Shown)

NOTE: It is our policy to continually improve products and as such we reserve the right to alter data, specifications and component parts without prior notice. There may be alternative versions of this product, please contact us should you require this information.

IMPORTANT: No liability is accepted for incorrect use of product. Spare parts must be fitted by a competent person

WARRANTY: Guarantee is 12 months from purchase date, proof of which will be required for any claim.

Sealey Group, Kempson Way, Suffolk Business Park, Bury St Edmunds, Suffolk. IP32 7AR



01284 757500



01284 703534

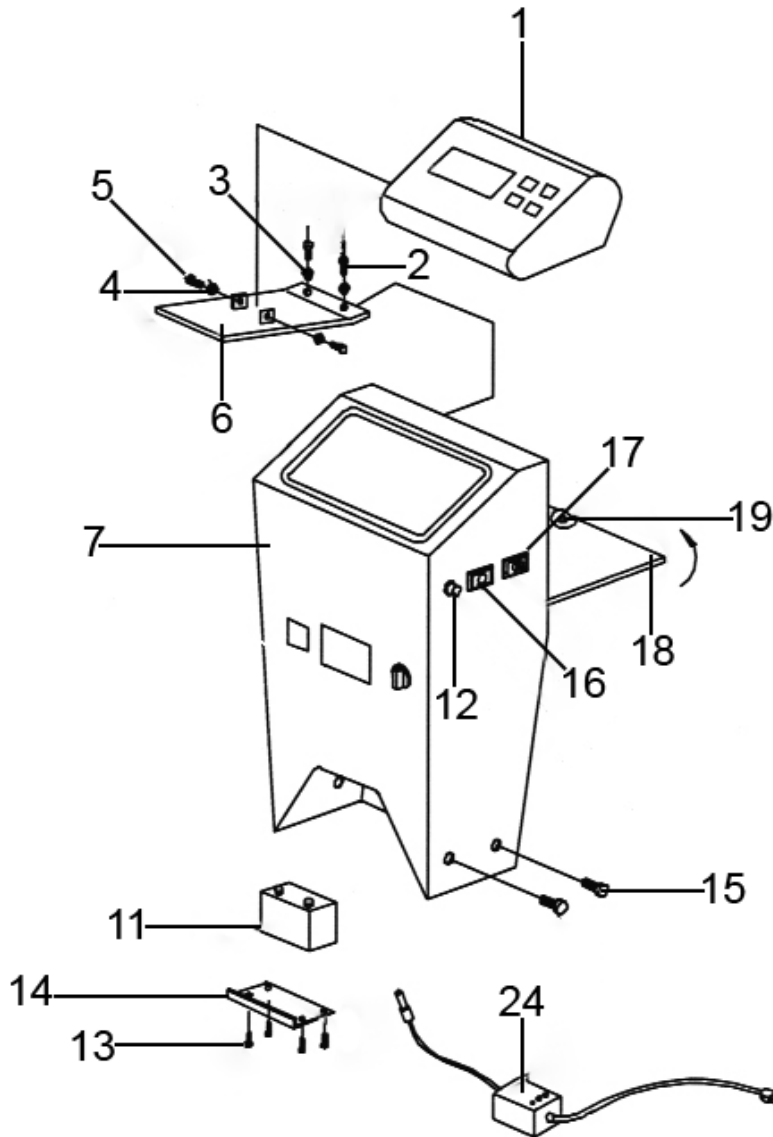


sales@sealey.co.uk



www.sealey.co.uk

Parts Information:
Pallet Truck 2000kg 1150 x 568mm with Scales
Model No: PT1150SC



Item	Part No.	Description
1	PT1150SC.DU1	LCD Display & Control Pad
2	PT1150SC.DU2	Screw
3	PT1150SC.DU3	Nut
4	PT1150SC.DU4	Nut
5	PT1150SC.DU5	Screw
6	PT1150SC.DU6	Fixing Board
7	PT1150SC.DU7	Rubber Ring
11	PT1150SC.DU11	Battery Display Unit
12	PT1150SC.DU12	Switch, Push Button (c/w Wires)
13	PT1150SC.DU13	Screw

Item	Part No.	Description
14	PT1150SC.DU14	Fixing Board
15	PT1150SC.DU15	Bolt
16	PT1150SC.DU16	Socket, Charger
17	PT1150SC.DU17	Socket, DC Outlet
18	PT1150SC.DU18	Flap, Cover Plate
19	PT1150SC.DU19	Locking Nut
24	PT1150SC.DU24	Adaptor
--	PT1150SC.B	Battery (Not Shown)
--	PT1150SC.C	Charger (Not Shown)
--	PT1150SC.DU	Display Unit Assembly (Not Shown)

NOTE: It is our policy to continually improve products and as such we reserve the right to alter data, specifications and component parts without prior notice. There may be alternative versions of this product, please contact us should you require this information.

IMPORTANT: No liability is accepted for incorrect use of product. Spare parts must be fitted by a competent person

WARRANTY: Guarantee is 12 months from purchase date, proof of which will be required for any claim.