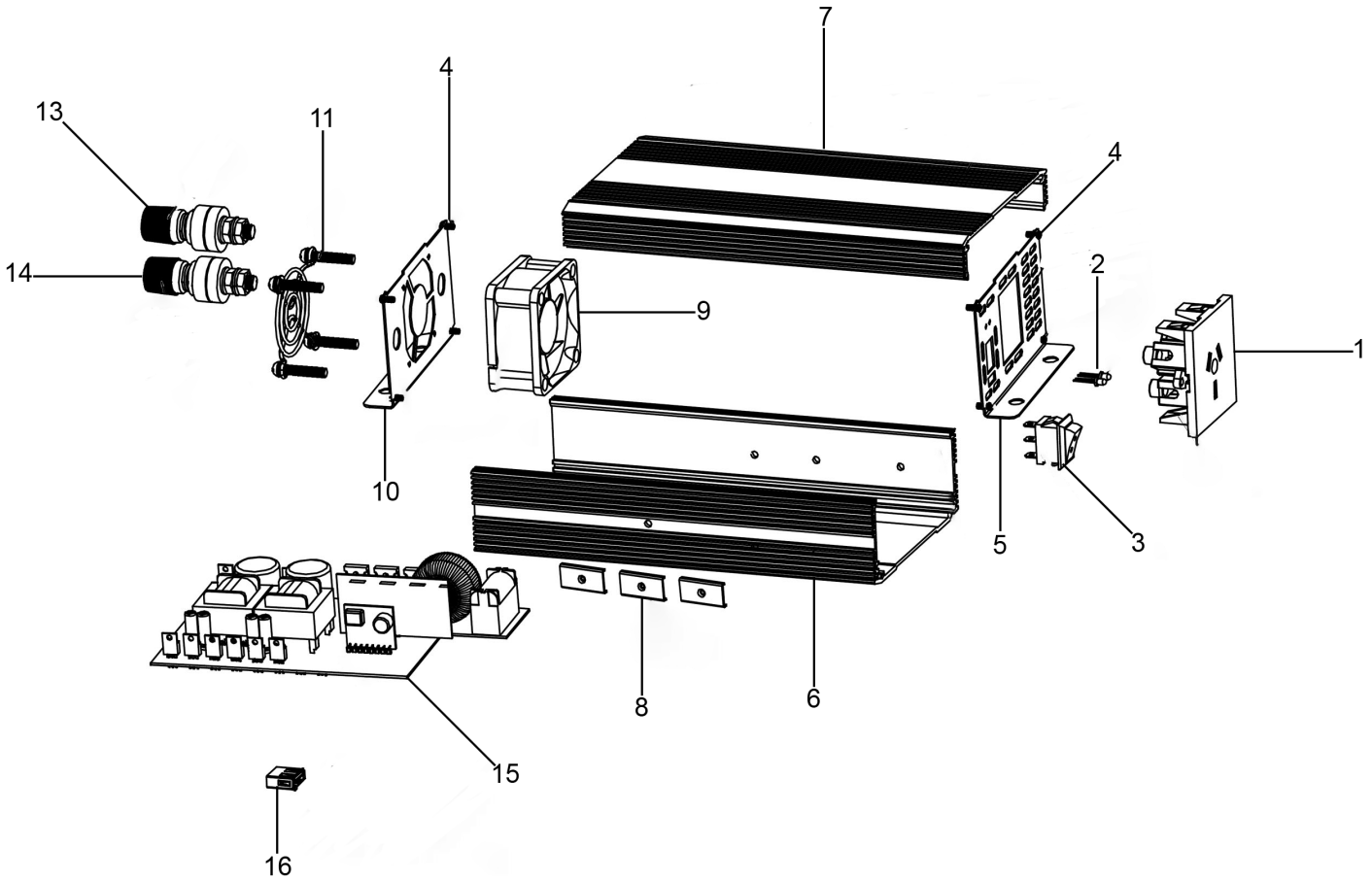




Parts Information:
**Power Inverter Pure Sine Wave 800W 12V
 DC - 230V 50Hz
 Model No: PSI800.V2**



Item	Part No.	Description
1	PSI1000.01	Socket
2	PSI1000.02	Indicator Light
3	PSI1000.03	Switch, Power Rocker
4	PSI1000.04	Rd Head S/T Screw M3 x 6mm Black
5	PSI1000.05	Front Panel
6	PSI800.V2-06	Lower Panel
7	PSI800.V2-07	Upper Panel
8	PSI800.08	Side Cover

Item	Part No.	Description
9	PSI800.V2-09	Fan
10	PSI800.V2-10	Fan Cover
11	PSI800.V2-11	Screw
13	PSI1000.13	Terminal, Positive
14	PSI1000.14	Terminal, Negative
15	PSI800.V2-15	Circuit Board
16	PSI800.V2-16	USB Port

NOTE: It is our policy to continually improve products and as such we reserve the right to alter data, specifications and component parts without prior notice. There may be alternative versions of this product, please contact us should you require this information.

IMPORTANT: No liability is accepted for incorrect use of product. Spare parts must be fitted by a competent person

WARRANTY: Guarantee is 12 months from purchase date, proof of which will be required for any claim.

Sealey Group, Kempson Way, Suffolk Business Park, Bury St Edmunds, Suffolk. IP32 7AR



01284 757500



01284 703534



sales@sealey.co.uk



www.sealey.co.uk