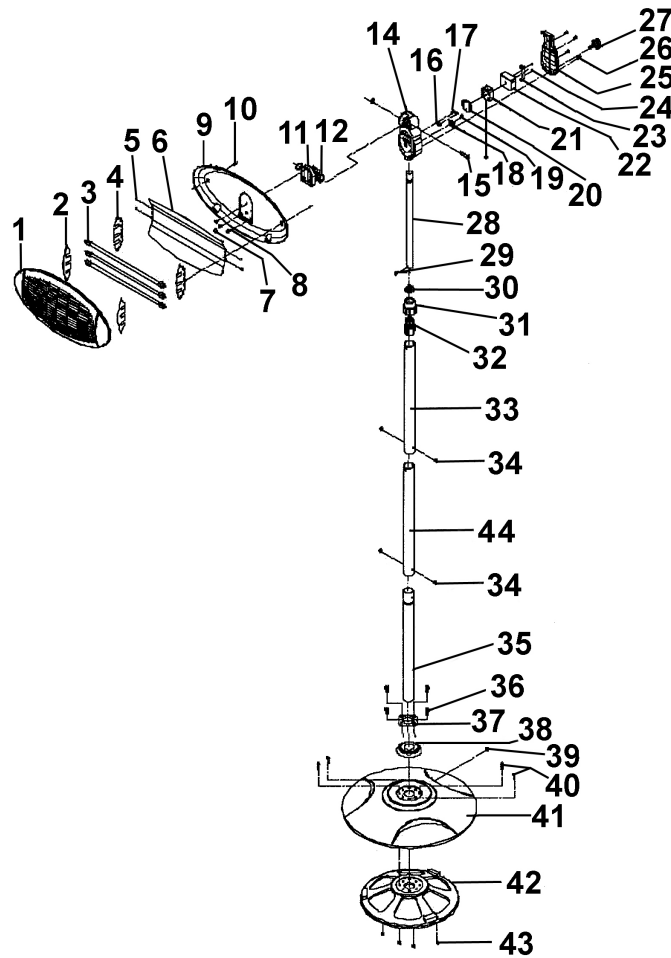




Parts Information:
**Infrared Quartz Patio Heater with
 Telescopic Floor Stand 2000W/230V
 Model No: PQH2000**



Item	Part No.	Description
1	PQH2000.01	Heater Front Housing
2	PQH2000.02	Side Plate "B"
3	PQH2000.03	Heating Element IR 230V 50W
4	PQH2000.04	Side Plate "A"
5	PQH2000.05	Screw
6	PQH2000.06	Reflector
7	PQH2000.07	Cable Bushing
8	PQH2000.08	Screw
9	PQH2000.09	Rear Housing
10	PQH2000.10	Rivet
11	PQH2000.11	Connector
12	PQH2000.12	Seal Ring
--	PQH2000.13	Hex Nut (NOT SHOWN)
14	PQH2000.14	Main Body Assy
15	PQH2000.15	Link Screw
16	PQH2000.16	Cable Clamp
17	PQH2000.17	Screw
18	PQH2000.18	Terminal Block

Item	Part No.	Description
19	PQH2000.19	Screw
20	PQH2000.20	Switch Indication Disc
21	PQH2000.21	Pull Switch
22	PQH2000.22	Seal Plate
23	PQH2000.23	Switch Support Bracket
24	PQH2000.24	Screw
25 - 27	PQH2000.14	Main Body Assy
28 - 33	PQH2000.33	Upper Tube Assy
34	PQH2000.34	Screw
35	PQH2000.35	Lower Tube Assy
36	PQH2000.36	Screw
37	PQH2000.35	Lower Tube Assy
38	PQH2000.38	Base Cover
39 - 43	PQH2000.41	Base Complete
44	PQH2000.44	Middle Tube Assy

NOTE: It is our policy to continually improve products and as such we reserve the right to alter data, specifications and component parts without prior notice.

IMPORTANT: No liability is accepted for incorrect use of product.

WARRANTY: Guarantee is 12 months from purchase date, proof of which will be required for any claim.

Sealey Group, Kempson Way, Suffolk Business Park, Bury St Edmunds, Suffolk. IP32 7AR



01284 757500



01284 703534



sales@sealey.co.uk



www.sealey.co.uk