

NOTE: It is our policy to continually improve products and as such we reserve the right to alter data, specifications and component parts without prior notice. There may be alternative versions of this product, please contact us should you require this information.

IMPORTANT: No liability is accepted for incorrect use of product. Spare parts must be fitted by a competent person

WARRANTY: Guarantee is 12 months from purchase date, proof of which will be required for any claim.



Parts Information:
2-Stroke Petrol Post Driver Ø100mm
Model No: PPD100

Item	Part No.	Description	Qty
1	PPD100.01	Petrol Engine 52cc	1
2	SCB625.SB	Socket Cap Bolt M6 x 25mm Black	3
3	SCB620.SB	Socket Cap Bolt M6 x 20mm Black	2
4	PPD100.04	Gearbox	1
5	B/6202ZZ	Bearing 6202zz	1
6	PPD100.06	Driven Disc	1
7	B/6205ZZ	Bearing 6205zz	1
8	PPD100.08	Impact Crankshaft	1
9	PPD100.09	Crankshaft Retainer	1
10	PPD100.10	Elastic Washer (8 x 2.1mm)	15
11	SCB820.SB	Socket Cap Bolt M8 x 20mm Black	5
12	PPD100.12	Oil Storage Box Seal	1
13	SCB520.SB	Socket Cap Bolt M5 X 20mm Black	2
14	PPD100.14	Oil Storage Box Lid	1
15	PPD100.15	Machine Screw M5 x 20	1
16	PPD100.16	O-Ring (18 x 2.65mm)	1
17	PPD100.17	Oil Plug M20 x 1.5	1
18	PPD100.18	Impact Connecting Rod	1
19	PPD100.19	Oval Ring 35.5 x 45.5 x 6mm	1
20	PPD100.20	Impact Piston	1
21	PPD100.21	Impact Piston Pin	1
22	PPD100.22	O-Ring, Brown (Ex: 49.13 In: 37.47 Cs: 5.33)	1
23	PPD100.23	Impact Cylinder	1
24	PPD100.24	Aluminium Hammer Case	1
25	SCB835.SB	Socket Cap Bolt M8 X 35mm Black	4
26	PPD100.26	Iron Ring	2
27	PPD100.27	Vibration Absorption Ring (Small)	1
28	PPD100.28-30	Handle Sleeve (c/w Rubber Split Ring)	1
29	PPD100.31	Vibration Absorption Ring (Large)	1
30	PPD100.32	O-ring (33 x 4mm)	1
31	PPD100.33	Hammer Shaft	1
32	PPD100.34	Support Plate	1
33	PPD100.35	Hex Flange Nut M18 x 1.5	2
34	PPD100.36	Shock Guide Sleeve	1

Item	Part No.	Description	Qty
35	PPD100.37	Driving Sleeve	1
36	SCB840.SB	Socket Cap Bolt M8 x 40mm Black	6
37	PPD100.39	Driving Sleeve Head	1
38	PPD100.40	Pile Socket Retainer	1
39	PPD100.41	Positioning Sleeve	2
40	PPD100.42	Compression Spring (22.5 x 27.5 x 60mm)	2
41	PPD100.43	Switch Handle Guide Sleeve	2
42	PPD100.44	Combination Switch	1
43	PPD100.45	Connecting Thread Head	2
44	PPD100.46	Compression Spring (22.5 x 27.5 x 123mm)	2
45	PPD100.47	Step Nut	2
46	PPD100.48	Handle Sleeve	1
47	SCB640.SB	Socket Cap Bolt M6 x 40mm Black	2
48	PPD100.50	Steel Tube Handle	1
49	PPD100.51	Handle Sleeve Foam	1
50	PPD100.52	Gear (Large)	1
51	MSC510.SB	Csk Phillips Machine Screw M5 X 10 Black	4
52	PPD100.54	Bearing Holder	1
53	B/6204-2RS	Bearing 6204-2rs	1
54	PPD100.56	Gear Shaft	1
55	PPD100.57	Middle Gear	1
56	B/6203-2RS	Bearing 6203-2rs	2
57	PPD100.59	Shaft Retainer	1
58	PPD100.60	Internal Circlip	1
59	PPD100.61	Gearbox Cover Seal	1
60	PPD100.62	Gearbox Cover	1
61	SCB616.SB	Socket Cap Bolt M6 x 16mm Black	6
62	PPD100.64	Internal Circlip	1
63	PPD100.65	Gear (Small)	1
--	PPD100-66	Complete Recoil Starter Assembly (See Page 3)	1

NOTE: It is our policy to continually improve products and as such we reserve the right to alter data, specifications and component parts without prior notice. There may be alternative versions of this product, please contact us should you require this information.

IMPORTANT: No liability is accepted for incorrect use of product. Spare parts must be fitted by a competent person

WARRANTY: Guarantee is 12 months from purchase date, proof of which will be required for any claim.

Sealey Group, Kempson Way, Suffolk Business Park, Bury St Edmunds, Suffolk. IP32 7AR



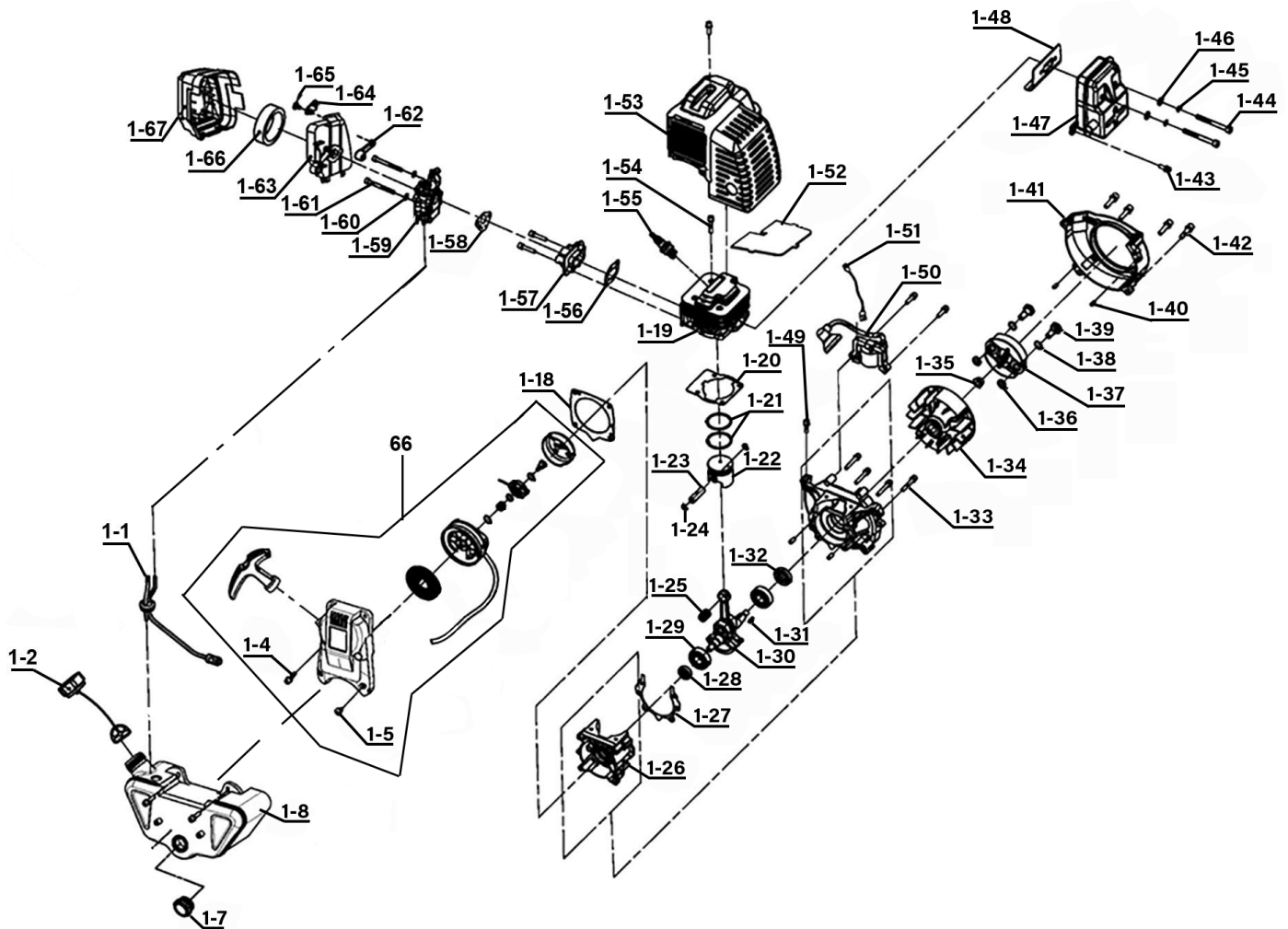
01284 757500



sales@sealey.co.uk



www.sealey.co.uk



Item	Part No.	Description	Qty
1-1	PPD100.01-1	Oiler Assembly	1
1-2	PPD100.01-2	Fuel Tank Cap Assembly	1
1-4	SCB520.S	Socket Cap Bolt M5 x 20mm	4
1-5	PPD100.01-5	Countersunk Tapping Screw ST4.8 x 13	2
1-7	PPD100.01-7	Oil View Glass	1
1-8	PPD100.01-8	Fuel Tank	1
1-19	PPD100.01-19	Cylinder Gasket	1
1-20	PPD100.01-20	Cylinder Gasket	1
1-21	PPD100.01-21	Piston Ring	2
1-22	PPD100.01-22	Piston	1
1-23	PPD100.01-23	Piston Pin	1
1-24	PPD100.01-24	Clamping Spring	2
1-25	PPD100.01-25	Needle Roller Bearing (HK101316)	1
1-26	PPD100.01-26	Crankcase (Left/Right)	1
1-27	PPD100.01-27	Crankcase Sealing Gasket	1
1-28	PPD100.01-28	Oil Seal (12 x 22 x 7mm)	1

Item	Part No.	Description	Qty
1-29	B/6202	Bearing 6202	2
1-30	PPD100.01-30	Crankshaft Assembly	1
1-31	PPD100.01-31	Woodruff Key 3 x 5 x 13	1
1-32	PPD100.01-32	Oil Seal 15 x 30 x 7	1
1-33	SCB535.S	Socket Cap Screw M5 x 35mm	4
1-34	PPD100.01-34	Magnetic Flywheel	1
1-35	FN8.S	Flange Nut Serrated M8 Zinc	1
1-36	PPD100.01-36	Washer (8.5 x 15 x 1.6)	2
1-37	PPD100.01-37	Shoe Spring	1
1-38	PPD100.01-38	Wave Washer (10.5 x 15 x 0.5)	2
1-39	PPD100.01-39	Shaft Screw M8 x 10	2
1-40	PPD100.01-40	Positioning Pin dia. 5 x 10	2
1-41	PPD100.01-41	Wind Guard	1
1-42	SCB625.S	Socket Cap Bolt M6 x 25mm	4
1-43	SCB514.S	Socket Cap Bolt M5 x 14mm	1
1-44	SCB655.SB	Socket Cap Bolt M6 X 55mm Black	2

NOTE: It is our policy to continually improve products and as such we reserve the right to alter data, specifications and component parts without prior notice. There may be alternative versions of this product, please contact us should you require this information.

IMPORTANT: No liability is accepted for incorrect use of product. Spare parts must be fitted by a competent person

WARRANTY: Guarantee is 12 months from purchase date, proof of which will be required for any claim.



Parts Information:
2-Stroke Petrol Post Driver Ø100mm
Model No: PPD100

Item	Part No.	Description	Qty
1-45	PPD100.01-45	Elastic Washer (6 x 1.6mm)	2
1-46	PPD100.01-46	Plain Washer (6 x 1.6mm)	2
1-47	PPD100.01-47	Silencer	1
1-48	PPD100.01-48	Silencer Gasket	1
1-49	SCB516.S	Socket Cap Bolt M5 x 16mm	2
1-50	PPD100.01-50	Ignitor Assembly	1
1-51	PPD100.01-51	Stop Wire	1
1-52	PPD100.01-52	Cover Plate	1
1-53	PPD100.01-53	Cover	1
1-54	SCB525.S	Socket Cap Bolt M5 x 25mm	10
1-55	PPD100.01-55	Spark Plug	1
1-56	PPD100.01-56	Inlet Pipe Gasket	1
1-57	PPD100.01-57	Inlet Pipe	1

Item	Part No.	Description	Qty
1-58	PPD100.01-58	Carburettor Gasket	1
1-59	PPD100.01-59	Carburettor	1
1-60	PPD100.01-60	Plain Washer (5 x 12 x 1mm)	2
1-61	PPD100.01-61	Socket Cap Bolt M5 x 50	2
1-62	PPD100.01-62	Throttle Switch	1
1-63	PPD100.01-63	Air Filter Seat	1
1-64	PPD100.01-64	Air Filter Seat Stopper	1
1-65	MSC48.S	Csk Phillips Machine Screw M4 X 8 Zinc	1
1-66	PPD100.01-66	Filter Screen	1
1-67	PPD100.01-67	Air Filter Cover	1
66	PPD100-66	Complete Recoil Starter Assembly	1

NOTE: It is our policy to continually improve products and as such we reserve the right to alter data, specifications and component parts without prior notice. There may be alternative versions of this product, please contact us should you require this information.

IMPORTANT: No liability is accepted for incorrect use of product. Spare parts must be fitted by a competent person

WARRANTY: Guarantee is 12 months from purchase date, proof of which will be required for any claim.

Sealey Group, Kempson Way, Suffolk Business Park, Bury St Edmunds, Suffolk. IP32 7AR



01284 757500



sales@sealey.co.uk



www.sealey.co.uk