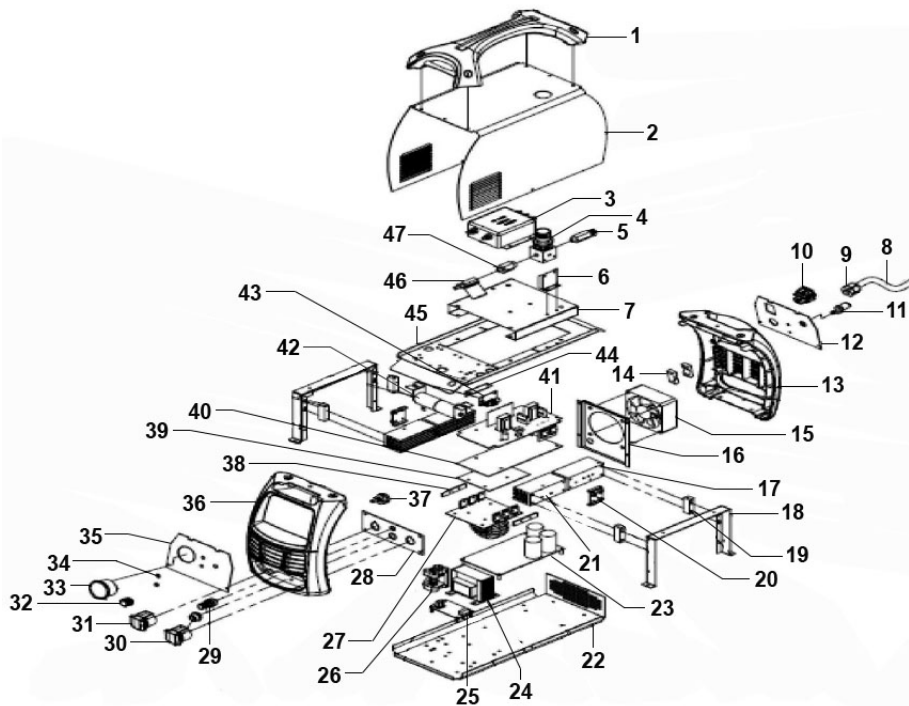


## Parts Information: Plasma Cutter Inverter 40A 230V Model No: PP40H.V2



Item	Part No.	Description
1	PP40HV2-01	Top Handle
2	PP40HV2-02	Top Cover
3	PP40HV2-03	Emi Filter
4	PP40HV2-04	Gas Regulator
5	PP40HV2-05	Gas Connector (Euro)
6	PP40HV2-06	Plate For Gas Regulator
7	PP40HV2-07	Plate For Emi Filter
8	PP40HV2-08	Power Cord
9	PP40HV2-09	Cable Holder
10	PP40HV2-10	Power Switch (Rocker)
11	PP40HV2-11	Gas Connector
12	PP40HV2-12	Rear Panel Plate
13	PP40HV2-13	Rear Panel (Plastic)
14	PP40HV2-14	Tension Disc
15	PP40HV2-15	Fan
16	PP40HV2-16	Fan Cover
17	PP40HV2-17	Heat Sink For IGBT
18	PP40HV2-18	Bracket For Heat Sink
19	PP40HV2-19	Support Pin
20	PP40HV2-20	Heat Sink Plate
21	PP40HV2-21	Heat Sink For Frd
22	PP40HV2-22	Bottom Panel
23	PP40HV2-23	Arc Starting Plate
24	PP40HV2-24	Output Reactor
25	PP40HV2-25	isolating Plate For Gun Switch
26	PP40HV2-26	Coupling Transformer

Item	Part No.	Description
27	PP40HV2-27	Rectifier PCB
28	PP40HV2-28	Front/Bottom Fixed Plate
29	PP40HV2-29	Terminal
30	PP40HV2-30	Wiring Harness For Gun Switch
31	PP40HV2-31	Quick Connector
32	PP40HV2-32	Potentiometer Knob
33	PP40HV2-33	Air Pressure Gauge
34	PP40HV2-34	Power Indicator Light
35	PP40HV2-35	Front/Top Fixed Plate
36	PP40HV2-36	Front Frame (Plastic)
37	PP40HV2-37	Welding Potentiometer
38	PP40HV2-38	Pressing Plate
39	PP40HV2-39	Insulating Plate For Transformer Rectifier
40	PP40HV2-40	Insulating Plate For Main Control Panel
41	PP40HV2-41	Main Control Panel
42	PP40HV2-42	Wire Resistor
43	PP40HV2-43	Auxiliary Board
44	PP40HV2-44	Ct Support
45	PP40HV2-45	Install Panel
46	PP40HV2-46	Regulator Connector
47	PP40HV2-47	Air Valve Connector
--	PP40HV2-48	Plasma Torch (Not Shown)
--	PP40HV2-49	Torch Connection Cap (Not Shown)
--	PP40HV2-50	Torch Terminal(Not Shown)
--	PP40HV2-51	Torch Terminal Connector(Not Shown)

**NOTE:** It is our policy to continually improve products and as such we reserve the right to alter data, specifications and component parts without prior notice. There may be alternative versions of this product, please contact us should you require this information.

**IMPORTANT:** No liability is accepted for incorrect use of product. Spare parts must be fitted by a competent person

**WARRANTY:** Guarantee is 12 months from purchase date, proof of which will be required for any claim.