

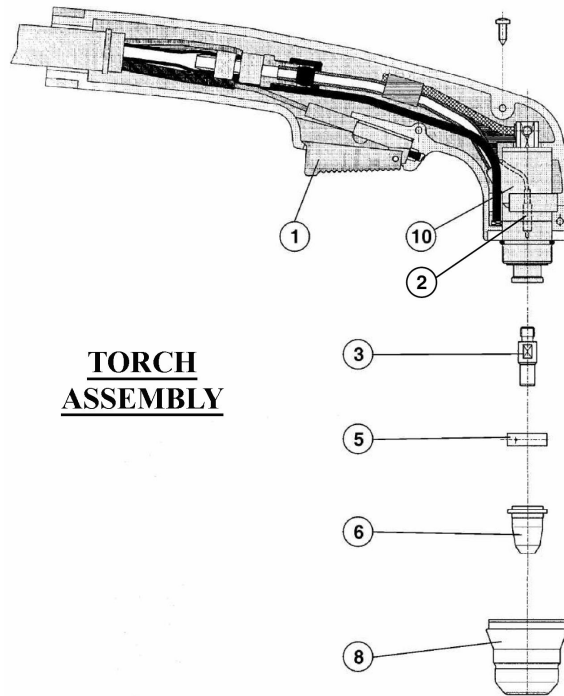
Item	Part No.	Description
1	120/112017	POTENTIOMETER
2	120/112048	RESISTOR
3	120/112357	RECTIFIER
4	120.113122	CAPACITOR 400v 680uf 50x35
5	120.113233	RELAY
6	120/113487	PWM CONTROLLER
7	120.114607	CONTROL PCB
8	120.120522	GAS REGULATOR
9	120.121064	KNOB FOR POTENTIOMETER
10	120.121248	SWITCH
11	120/122154	ELECTRO VALVE
12	120.123422	CABLE 6MMQ 3M
13	120/132158	MAINS CABLE
14	120/152006	FAN
15	120/152230	TRANSFORMER
16	120/164741	INDUCTANCE FILTER

Item	Part No.	Description
17	120.169309	TRANSFORMER
18	120.169505	INDUCTANCE
19	120/322138	BUSHING, CABLE
20	120.322695	HANDLE
21	120.322792	FRONT PANEL
22	120.322793	BACK PANEL
23	120.602326	MANOMETER
24	120.645146	GAS REGULATOR SUPPORT
25	120/712231	WORK CLAMP
26	120.742237	PLASMA TORCH
27	120.980253	KIT IGBT + DIODE
28	120.980269	POWER TRANSFORMER
29	120.980346	COVER KIT
30	120.980271	CONTROL PCB
31	120.990762	KIT DIODES
32	120.990913	BOTTOM KIT

**NOTE:** It is our policy to continually improve products and as such we reserve the right to alter data, specifications and component parts without prior notice.

**IMPORTANT:** No liability is accepted for incorrect use of product.

**WARRANTY:** Guarantee is 12 months from purchase date, proof of which will be required for any claim.

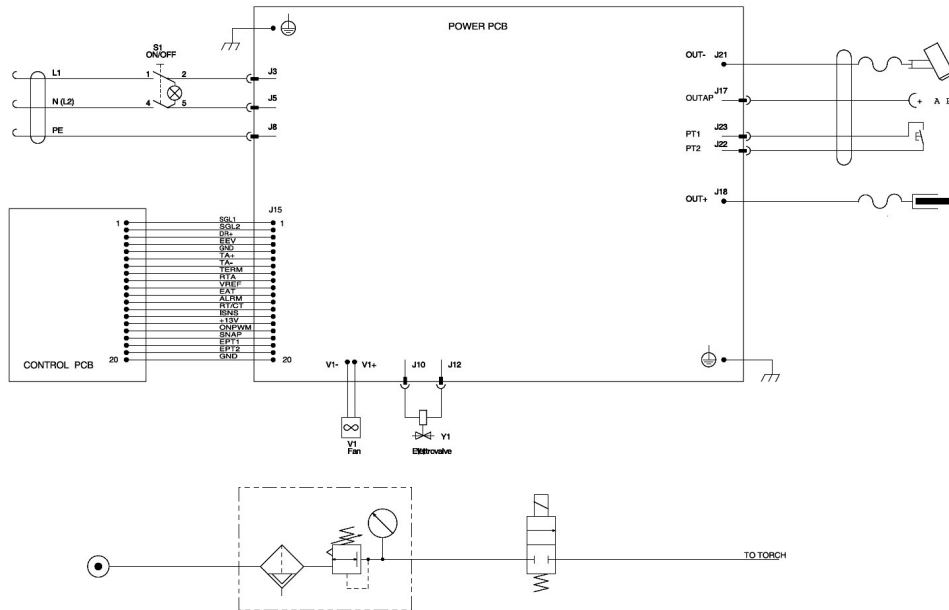


**TORCH ASSEMBLY**

Item	Part No.	Description
1	120/722677	PUSH BUTTON
--	168.305375	SWITCH RED (NOT SHOWN)
2	120.990983	PLUG KIT (JAN '08 ONWARDS)
3	120/802420	ELECTRODE SHORT LOW POWER Pack of 5
	120/802428	ELECTRODE LONG Pack of 5
5	120/802422	DIFFUSER Pack of 5
6	120/802423	NOZZLE SHORT LOW POWER Pack of 5

Item	Part No.	Description
	120/802429	NOZZLE LONG Pack of 5
8	120.802096	TORCH SAFETY CAP Pack of 2
--	120/802093	KIT 2 TORCH SAFETY CAPS (NOT SHOWN)
10	120/742036	TORCH HEAD ASSEMBLY
--	120/742000	COMPLETE HANDLE (NOT SHOWN)
--	120.742474	TORCH HEAD ASSEMBLY (NOT SHOWN)
--	120.742475	TORCH HANDLE (NOT SHOWN)

**WIRING DIAGRAM**



**NOTE:** It is our policy to continually improve products and as such we reserve the right to alter data, specifications and component parts without prior notice.

**IMPORTANT:** No liability is accepted for incorrect use of product.

**WARRANTY:** Guarantee is 12 months from purchase date, proof of which will be required for any claim.