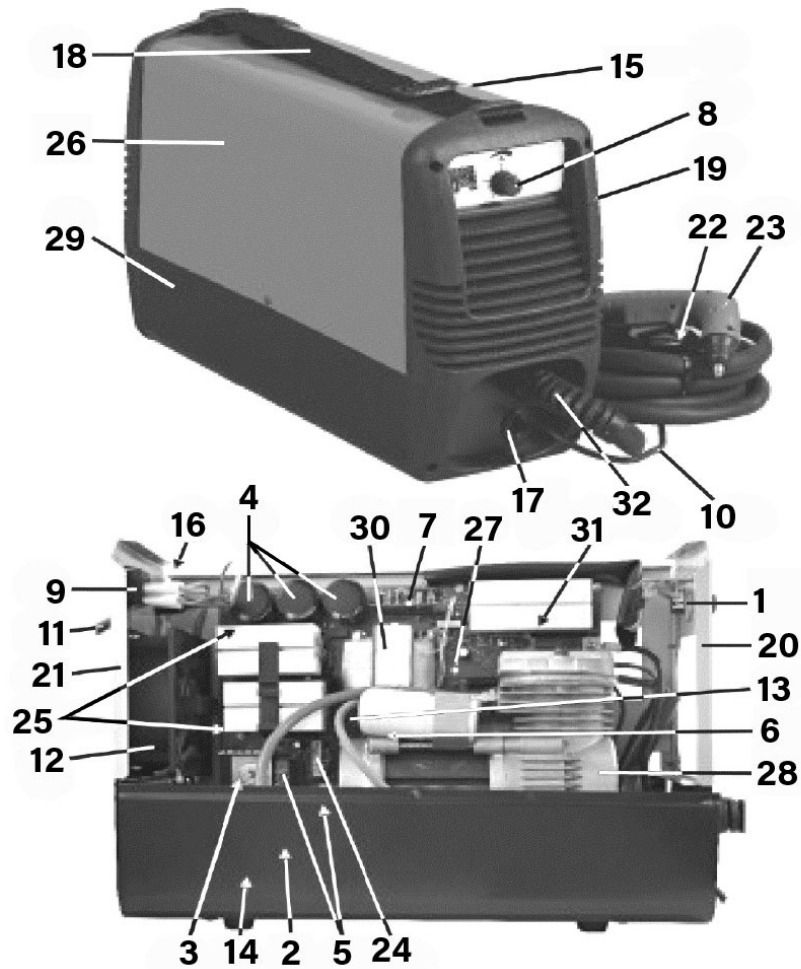




Parts Information:
Inverter Plasma 40Amp with Compressor
230V
Model No: PP35PLUS



Item	Part No.	Description
1	120/112017	Potentiometer
2	120/112048	Resistor
3	120/112357	Rectifier
4	120.113122	Capacitor 400v 680uf 50x35
5	120.113233	Relay
6	120/113487	Pwm Controller
7	120.980526	Control Board Kit
8	120/121043	Knob Kit
9	120.121248	Switch, Green Rocker - 220V (16A 250VAC 1 / 4HP
10	120.123422	Cable 6mmq 3m
11	120.132066	Mains Cable
12	120/152101	Fan
13	120/152230	Transformer
14	120.169503	Inductance
15	120/322065	Buckle
16	120.322112	Bushing

Item	Part No.	Description
17	120/322138	Bushing, Cable
18	120/322408	Belt
19	120.322508	Frame
20	120.638044	Front Panel
21	120.639534	Back Panel
22	120/712231	Work Clamp
23	120.742381	Plasma Torch 4m 35a
24	120.980170	Transformer Kit
25	120.980253	Kit IGBT + Diode
26	120.981162	Cover Kit
27	120.980255	PCB Kit
28	120.980256	Compressor Kit
29	120.980257	Base Bottom Kit
30	120.980258	Transformer Kit
31	120.990762	Kit Diodes
32	120.980259	Cable Bushing Kit
--	120/164741	Inductance Filter (Not Shown)

NOTE: It is our policy to continually improve products and as such we reserve the right to alter data, specifications and component parts without prior notice. There may be alternative versions of this product, please contact us should you require this information.

IMPORTANT: No liability is accepted for incorrect use of product. Spare parts must be fitted by a competent person

WARRANTY: Guarantee is 12 months from purchase date, proof of which will be required for any claim.

Sealey Group, Kempson Way, Suffolk Business Park, Bury St Edmunds, Suffolk. IP32 7AR



01284 757500



01284 703534



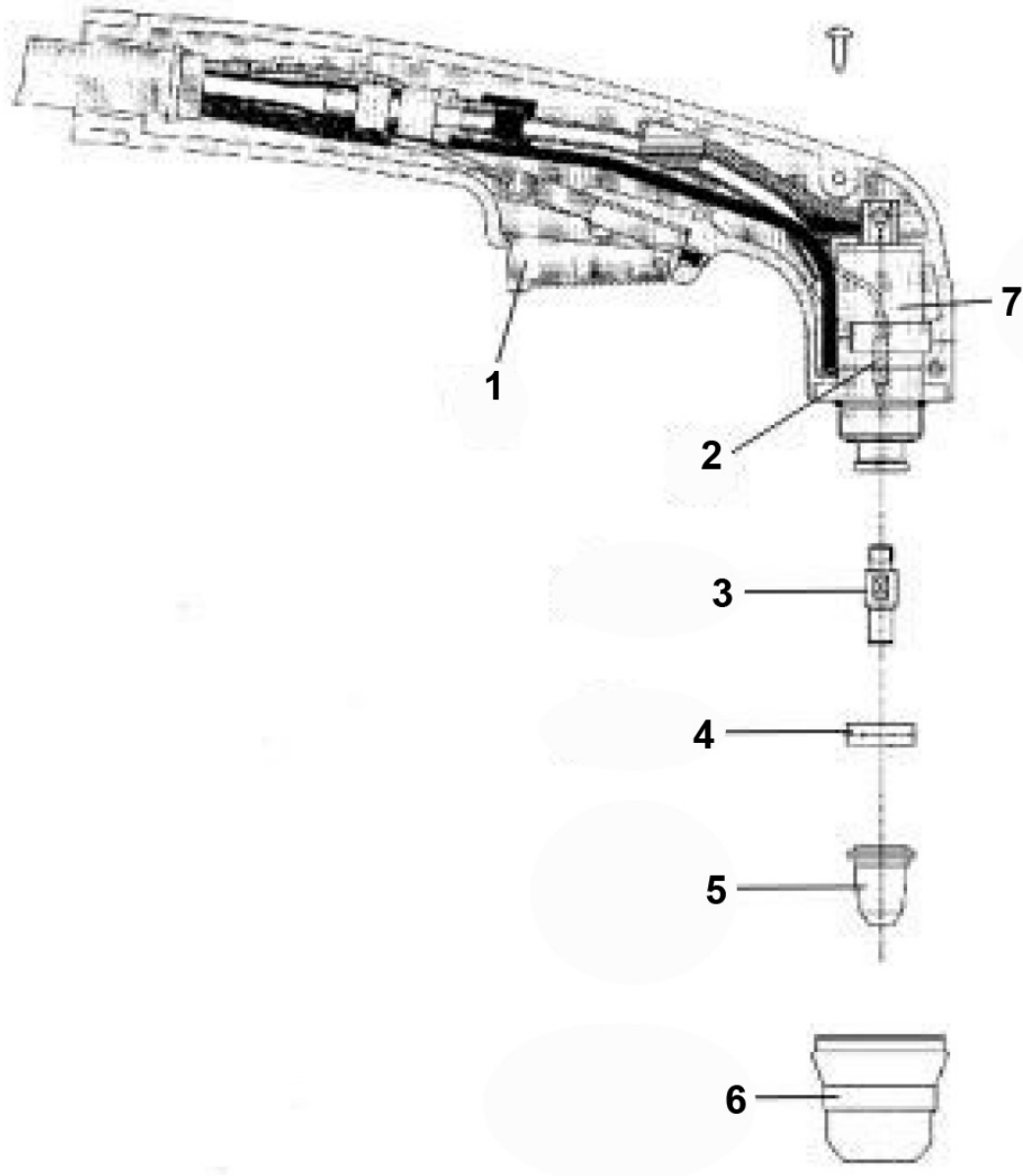
sales@sealey.co.uk



www.sealey.co.uk



Parts Information:
Inverter Plasma 40Amp with Compressor
230V
Model No: PP35PLUS



Item	Part No.	Description
1	120/722677	Push Button
2	120.990983	Plug Kit (Jan '08 Onwards)
3	120/802420	Electrode Short Low Power Pack of 5
4	120/802422	Diffuser Pack of 5

Item	Part No.	Description
5	120/802423	Nozzle Short Low Power Pack of 5
6	120.802485	Kit Of 2 Torch Safety Caps
7	120/742036	Torch Head Assembly

NOTE: It is our policy to continually improve products and as such we reserve the right to alter data, specifications and component parts without prior notice. There may be alternative versions of this product, please contact us should you require this information.

IMPORTANT: No liability is accepted for incorrect use of product. Spare parts must be fitted by a competent person

WARRANTY: Guarantee is 12 months from purchase date, proof of which will be required for any claim.

Sealey Group, Kempson Way, Suffolk Business Park, Bury St Edmunds, Suffolk. IP32 7AR



01284 757500



01284 703534



sales@sealey.co.uk



www.sealey.co.uk