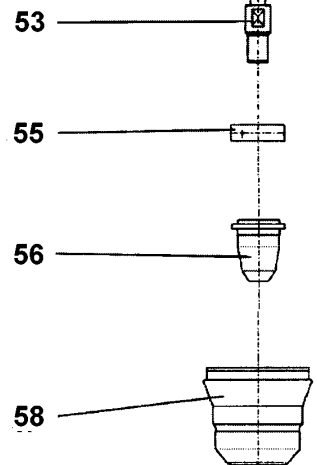
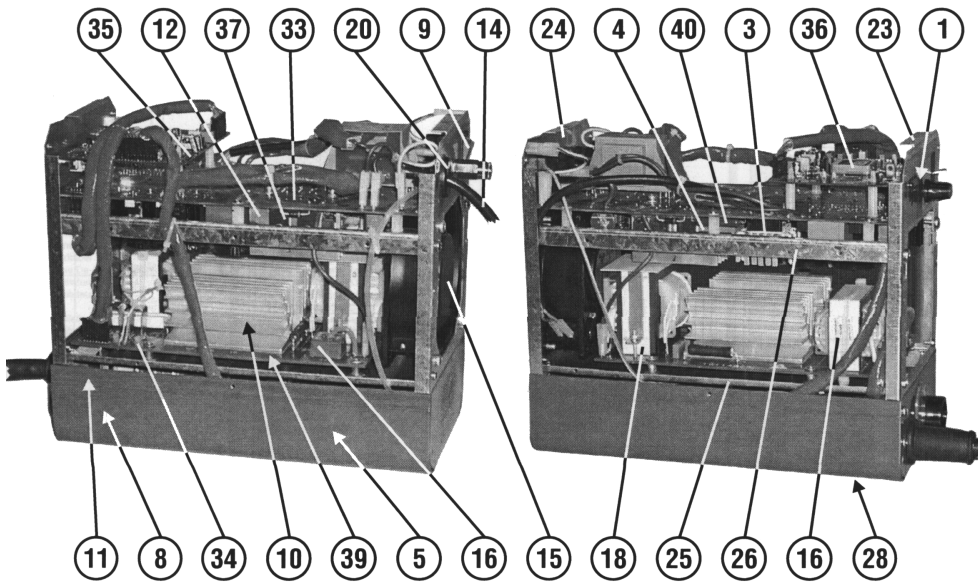
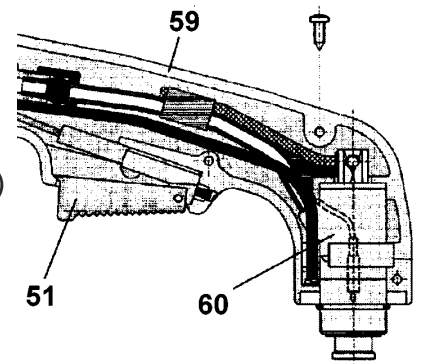


Issue No: 1
Date Issued: 130901



Item	Part No.	Description
1	120/112017	Potentiometer
2	120/112048	Resistor
3	120/112357	Rectifier
4	120/112898	Relay
5	120/114028	PCB
6	120/120203	Air Regulator
7	120/112144	Air Switch
8	120/122155	Electro Valve
9	120/112381	Power Switch
10	120/122571	Thermal Switch
11	120/122599	Pressure Switch
12	120/122974	Thermal Switch
14	120/132075	Mains Cable
15	120/152101	Fan
16	120/152230	Transformer
17	120/164989	Inductance
18	120/164990	Transformer
19	120/322065	Buckle
20	120/322112	Cable Bushing
21	120/322408	Belt
22	120/322497	Frame
23	120/482829	Front Panel
24	120/482830	Back Panel
25	120/482833	Diaphragm
26	120/482834	Side Member

Item	Part No.	Description
27	120/602022	Gauge
28	120/644183	Bottom
29	120/655107	Cover
30	120/712231	Clamp
31	120/712035	Dinse Socket
32	120/742065	Plasma Torch
33	120/990179	Primary Kit PCB
34	120/990183	Secondary PCB Kit
35	120/990188	Control Card Kit
36	120/990192	Microcontroller Kit
37	120/990252	Insulated Gate Bipolar Transistor
38	120/990328	Knob
39	120/990613	Diode IGBT Resistance Kit
40		
51	120/722677	Pushbutton
52		
53	120/802420	Kit 5 Electrodes
53	120/802428	Kit 5 Long Electrodes
55	120/802422	Kit 5 Diffusers
56	120/802423	Kit 5 Nozzles
56	120/802424	Kit 5 Nozzles
56	120/802429	Kit 5 Long Nozzles
58	120/802425	Kit 2 Safety Caps
59	120/742000	Handle
60	120/742036	Torch Body