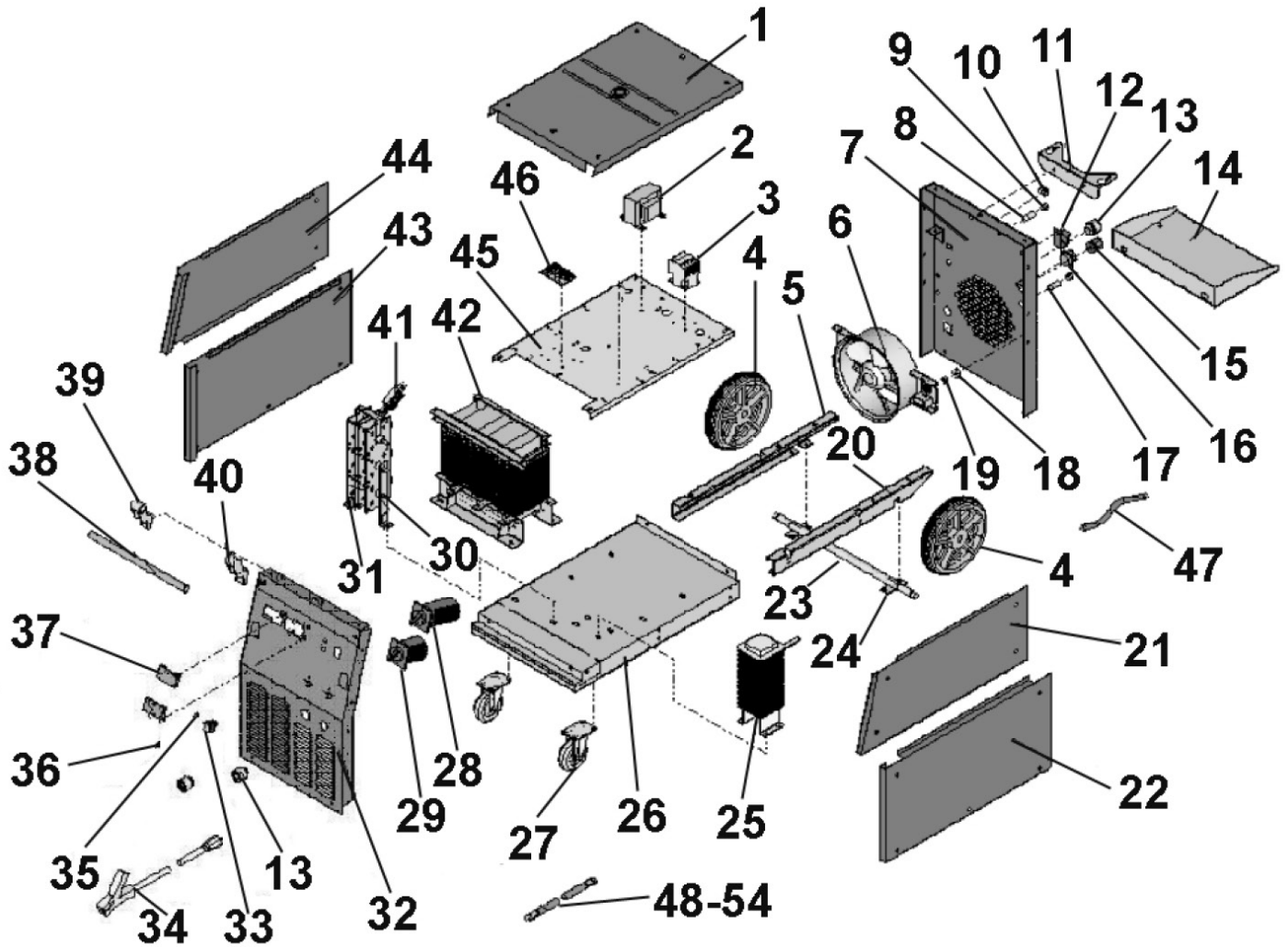




Parts Information:  
Professional MIG Welder 250A 415V 3ph  
with Binzel® Euro Torch & Portable Wire  
Drive  
Model No: POWERMIG6025S



**NOTE:** It is our policy to continually improve products and as such we reserve the right to alter data, specifications and component parts without prior notice. There may be alternative versions of this product, please contact us should you require this information.

**IMPORTANT:** No liability is accepted for incorrect use of product. Spare parts must be fitted by a competent person

**WARRANTY:** Guarantee is 12 months from purchase date, proof of which will be required for any claim.

Sealey Group, Kempson Way, Suffolk Business Park, Bury St Edmunds, Suffolk. IP32 7AR



01284 757500



01284 703534



sales@sealey.co.uk



www.sealey.co.uk



Parts Information:  
**Professional MIG Welder 250A 415V 3ph  
 with Binzel® Euro Torch & Portable Wire  
 Drive**  
**Model No: POWERMIG6025S**

Item	Part No.	Description
1	PMIG6035S.01	Top Cover
2	PMIG6035S.02	Control Transformer
3	PMIG6035S.03	AC Contactor
4	PMIG6035S.04	Wheel, Fixed Rubber (W/Bearing)(D:250 W:65 B:20)
5	PMIG6035S.05	Left Side, Support
6	PMIG6035S.06	Fan
7	PMIG6035S.07	Back Panels
8	PMIG6035S.08	Fuse-Glass 8amp 250v 6x30
9	PMIG3530.09	Fuse Holder
10	PMIG6035S.10	Socket
11	PMIG6025S.11	Gas Cylinder Support
12	PMIG6035S.12	Hook
13	PMIG3530.25	Quick Socket 'Euro Type'
14	PMIG6035S.14	Gas Cylinder Bracket
15	PMIG6035S.15	Cable Gland
16	PMIG6035S.16	Dinse Socket
17	PMIG6035S.17	Fuse-Glass 3amp 250v 6x30
18	PMIG6035S.18	Pink Grommet
19	PMIG6035S.19	Washer
20	PMIG6035S.20	Right Side, Support
21	PMIG6035S.21	Upper Panel, Right Side
22	PMIG6035S.22	Lower Panel, Right Side
23	PMIG6035S.23	Wheel Axle
24	PMIG6035S.24	Wheel Axle Mounting Plate
25	PMIG6035S.25	Reactance
26	PMIG6035S.26	Bottom Panel
27	PMIG6035S.27	Wheel, Swivel Castor,4 Bolt (D:100 W:32 B:12 H:125)

Item	Part No.	Description
28	PMIG6035S.28	Universal Selector (1-10)
29	PMIG6035S.29	Universal Selector (A/B/C)
30	PMIG6035S.30	Rectifier Support
31	PMIG6035S.31	Rectifier
32	PMIG6035S.32	Front Panel
33	PMIG6035S.33	Switch, On/Off Green Rocker c/w Cover (16a - 250V)
34	PMIG6035S.34	Earth Clamp (C/w Cable)(l:3.8m d:14mm)
35	PMIG6035S.35	Indicator Light (Green)
36	PMIG6035S.36	Indicator Light (Yellow)
37	PMIG3530.22	Digital Ammeter
38	PMIG6035S.38	Handle
39	PMIG3530.37	Handle Support, Left
40	PMIG3530.35	Handle Support, Right
41	PMIG6035S.41	Shunt
42	PMIG6035S.42	Transformer
43	PMIG6035S.43	Lower Panel, Left Side
44	PMIG6035S.44	Upper Panel, Left Side
45	PMIG6035S.45	Mounting Panel
46	PMIG3530.02	Digital Display Board
47	MC4CX2.5	Mains Cable Blk,4 Core,2.5mm2
48	PMIG6035S.48	Connect Cable (A)
49	PMIG6035S.49	Connect Cable (B)
50	PMIG6035S.50	Connect Cable (C)
51	PMIG6035S.51	Connect Cable (D)
52	PMIG6035S.52	Connect Cable (E)
53	PMIG6035S.53	Connect Cable (F)
54	PMIG6035S.54	Connect Cable (G)
--	PMIG6035S.55	Gas Regulator (Not Shown)

**NOTE:** It is our policy to continually improve products and as such we reserve the right to alter data, specifications and component parts without prior notice. There may be alternative versions of this product, please contact us should you require this information.

**IMPORTANT:** No liability is accepted for incorrect use of product. Spare parts must be fitted by a competent person

**WARRANTY:** Guarantee is 12 months from purchase date, proof of which will be required for any claim.

**Sealey Group**, Kempson Way, Suffolk Business Park, Bury St Edmunds, Suffolk. IP32 7AR



01284 757500



01284 703534



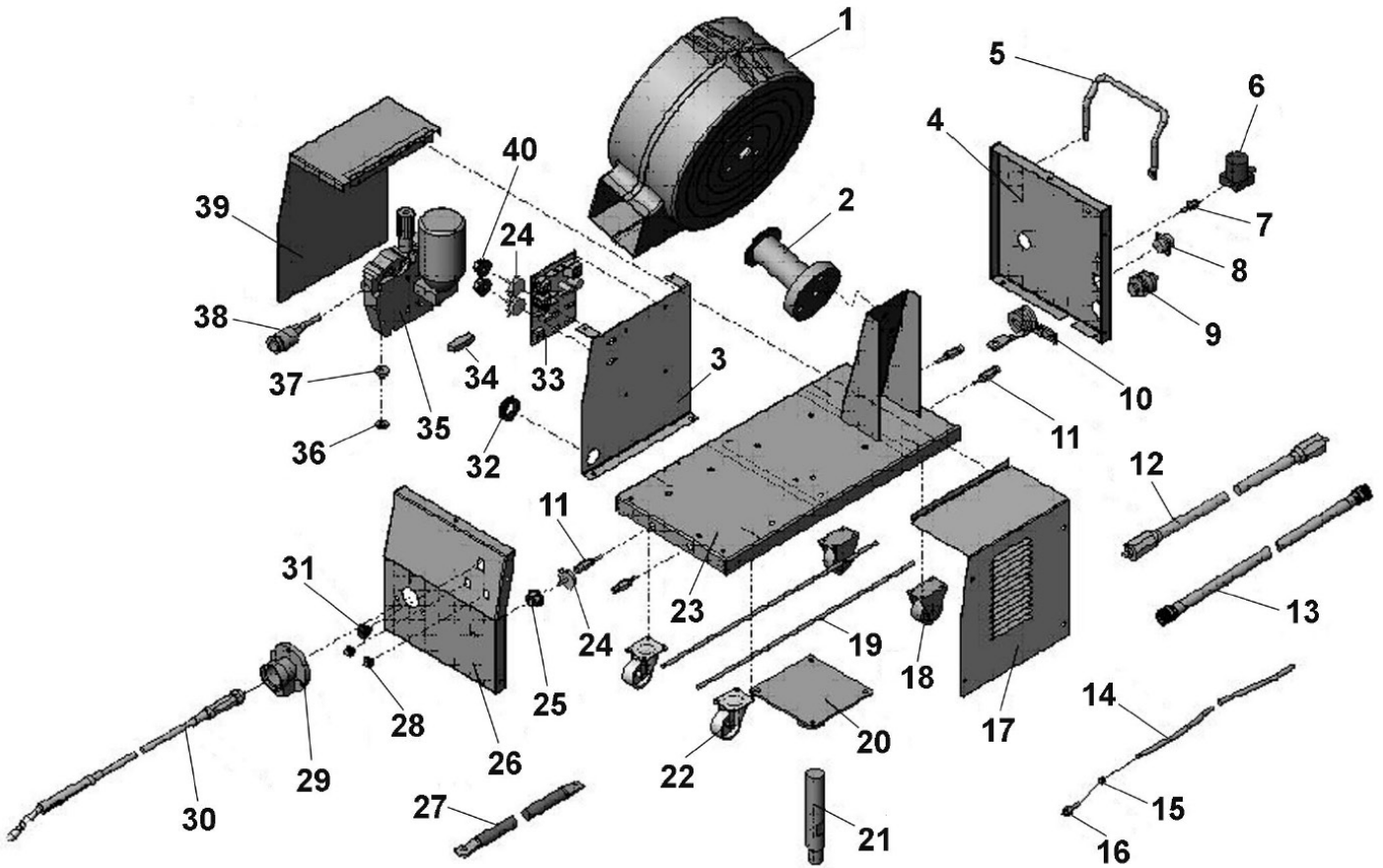
sales@sealey.co.uk



www.sealey.co.uk



Parts Information:  
Professional MIG Welder 250A 415V 3ph  
with Binzel® Euro Torch & Portable Wire Drive  
Model No: POWERMIG6025S



**NOTE:** It is our policy to continually improve products and as such we reserve the right to alter data, specifications and component parts without prior notice. There may be alternative versions of this product, please contact us should you require this information.

**IMPORTANT:** No liability is accepted for incorrect use of product. Spare parts must be fitted by a competent person

**WARRANTY:** Guarantee is 12 months from purchase date, proof of which will be required for any claim.

Sealey Group, Kempson Way, Suffolk Business Park, Bury St Edmunds, Suffolk. IP32 7AR



01284 757500



01284 703534



sales@sealey.co.uk



www.sealey.co.uk



Parts Information:  
**Professional MIG Welder 250A 415V 3ph  
 with Binzel® Euro Torch & Portable Wire  
 Drive**  
**Model No: POWERMIG6025S**

Item	Part No.	Description
1	PMIG6035S.W01	Wire Feed Cover
2	PMIG6035S.W02	Wire Feed Holder
3	PMIG6035S.W03	Middle Panel
4	PMIG6035S.W04	Back Panel
5	PMIG6035S.W05	Handle
6	PMIG6035S.W06	Electro-Valve
7	PMIG6035S.W07	Gas Connector
8	PMIG6035S.W08	Socket
9	PMIG6035S.W09	Quick Socket "Euro Type"
10	PMIG6035S.W10	Valve Assembly
11	PMIG6035S.W11	Quick Connector
12	PMIG6035S.W12	Welding Cable(40mm sq x 5m)
13	PMIG6035S.W13	Clamp Cable 5m
14	PMIG6035S.W14	Gas Hose
15	PMIG6035S.W15	Hose Clamp
16	PMIG6035S.W16	Quick Connection
17	PMIG6035S.W17	Side Panel, Right
18	PMIG6035S.W18	Wheel, Rear Fixed Castor, 4 Bolt (D:50 W:22 B:6 H:65)
19	PMIG6035S.W19	Gas Hose (PVC)
20	PMIG6035S.W20	Support Plate
21	PMIG6035S.W21	Support Plate Shaft
22	PMIG6035S.W22	Wheel, Front Swivel Castor, 4 Bolt (D:50 W:22 B:6 H:65)
23	PMIG6035S.W23	Bottom Panel
24	SMIG180.V3-06	Potentiometer

Item	Part No.	Description
25	PMIG6035S.W25	Potentiometer Knob
26	PMIG6035S.W26	Front Panel
27	PMIG6035S.W27	Connection Cable
28	PMIG6035S.W28	switch, Red Press Button (1A - 125V)
29	PMIG6035S.W29	Torch Connection
30	M/MIG250.77	Mig Torch 3mtr Euro Connector Binzel TB25
31	PMIG6035S.W31	Switch, On/Off Black Rocker (10A - 250V)
32	PMIG6035S.W32	Washer
33	PMIG6035S.W33	Control PCB
34	PMIG6035S.W34	Panel Lock
35	PMIG6035S.W35	Motor (Internal 90w)
36	PMIG6035S.W36	Bushing
37	PMIG6035S.W37	Washer
38	PMIG6035S.W38	Central Socket
39	PMIG6035S.W39	Side Panel, Left
40	PMIG3530.30	Potentiometer Knob
--	MIG920	Contact Tip 1.6mm TB25/36 Pack of 5
--	MIG923	Contact Tip 1.6mm Aluminium TB25/36 Pack of 5 (Not Shown)
--	PMIG6035S.56	Gas Valve Connector (Gas Hose) (Not Shown)
--	PMIG6035S.57	Threaded Sleeve ( Gas Hose Connector) (Not Shown)
--	MIG/T25	MIG Torch 3m Euro Connector MB25 (Not Shown)
--	MIG/GH	Hose, Gas Per Metre (5mm id Black Nylon Hose) (Not Shown)

**NOTE:** It is our policy to continually improve products and as such we reserve the right to alter data, specifications and component parts without prior notice. There may be alternative versions of this product, please contact us should you require this information.

**IMPORTANT:** No liability is accepted for incorrect use of product. Spare parts must be fitted by a competent person

**WARRANTY:** Guarantee is 12 months from purchase date, proof of which will be required for any claim.

**Sealey Group**, Kempson Way, Suffolk Business Park, Bury St Edmunds, Suffolk. IP32 7AR



01284 757500



01284 703534



sales@sealey.co.uk



www.sealey.co.uk