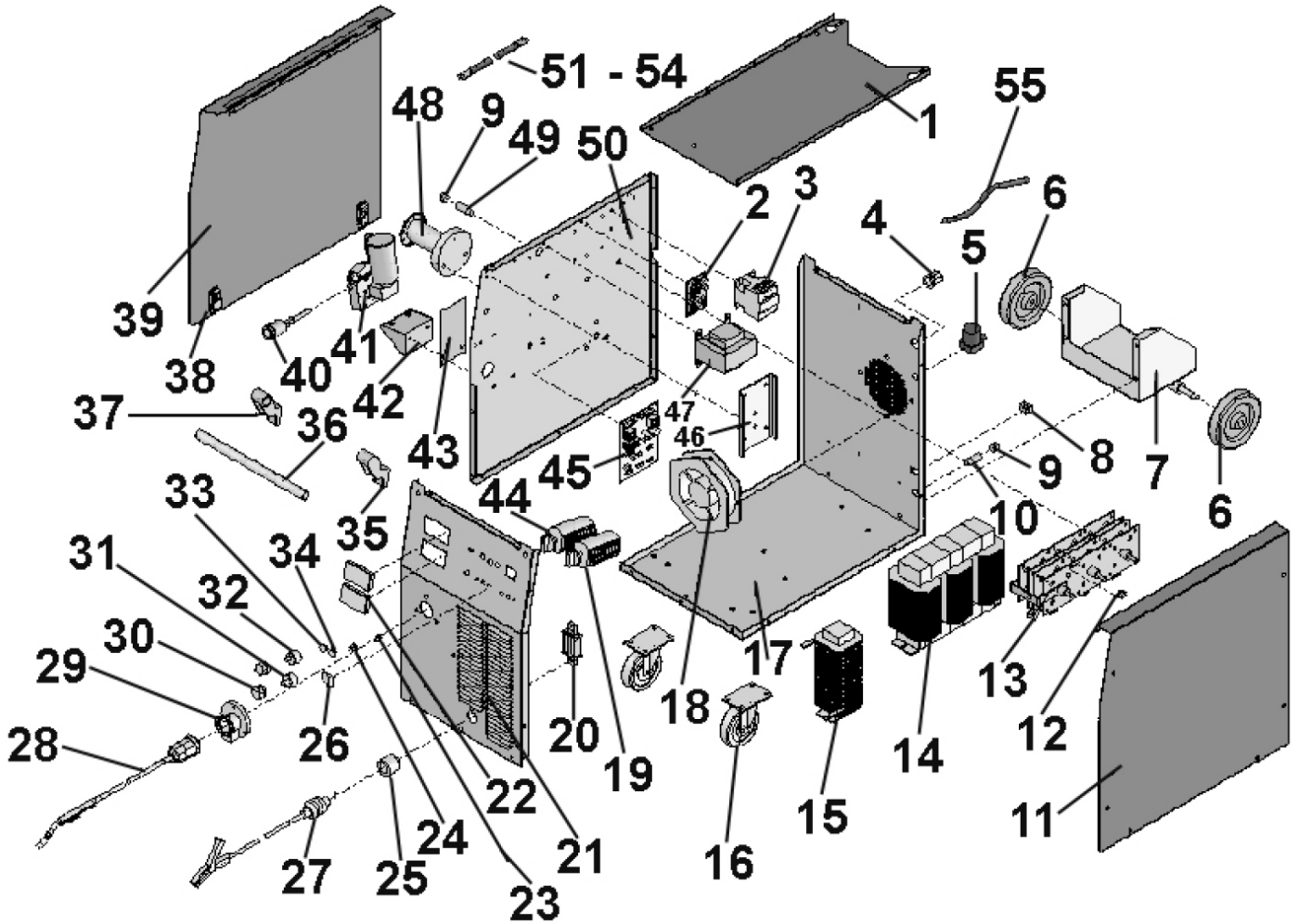


Parts Information:  
**Professional MIG Welder 300A 415V 3ph**  
 with Binzel® Euro Torch  
**Model No: POWERMIG3530**



| Item | Part No.     | Description                                |
|------|--------------|--|
| 1    | PMIG3530.01  | Top Cover                                  |
| 2    | PMIG3530.02  | Digital Display Board                      |
| 3    | PMIG3530.03  | AA Contactor                               |
| 4    | PMIG6025S.15 | Cable Gland                                |
| 5    | PMIG3530.05  | Electro-Valve                              |
| 6    | PMIG3530.06  | Wheel, Fixed (W/Bearings)(D:140 W:32 B:12) |
| 7    | PMIG3530.07  | Gas Cylinder Bracket                       |
| 8    | PMIG6035S.10 | Socket                                     |
| 9    | PMIG3530.09  | Fuse Holder                                |
| 10   | PMIG3530.10  | Fuse 8a                                    |

| Item | Part No.    | Description  |
|------|-------------|--|
| 11   | PMIG3530.11 | Right Side Panel                                   |
| 12   | PMIG3530.12 | Thermo-Relay                                       |
| 13   | PMIG3530.13 | Rectifier  |
| 14   | PMIG3530.14 | Transformer  |
| 15   | PMIG3530.15 | Reactance  |
| 16   | PMIG3530.16 | Wheel, Swivel Castor,4 Bolt (D:100 W:24 B:8 H:130) |
| 17   | PMIG3530.17 | Bottom Panel                                       |
| 18   | PMIG3530.18 | Fan  |
| 19   | PMIG3530.19 | Universal Selector                                 |

**NOTE:** It is our policy to continually improve products and as such we reserve the right to alter data, specifications and component parts without prior notice. There may be alternative versions of this product, please contact us should you require this information.

**IMPORTANT:** No liability is accepted for incorrect use of product. Spare parts must be fitted by a competent person

**WARRANTY:** Guarantee is 12 months from purchase date, proof of which will be required for any claim.



Parts Information:  
**Professional MIG Welder 300A 415V 3ph  
with Binzel® Euro Torch  
Model No: POWERMIG3530**

| Item | Part No.      | Description                               |
|------|---------------|---|
| 20   | PMIG6035S.41  | Shunt                                     |
| 21   | PMIG3530.21   | Front Panel                               |
| 22   | PMIG3530.22   | Digit Ammeter                             |
| 23   | PMIG3530.23   | Switch, On/Off Toggle 5A - 250V           |
| 24   | PMIG3530.24   | Grip                                      |
| 25   | PMIG3530.25   | Quick Socket 'Euro Type'                  |
| 26   | PMIG3530.26   | Switch, Green Rocker, C/w Cover (250V)    |
| 27   | PMIG3530.27   | Earth Clamp (C/w Cable)(l:3.8m d:12mm)    |
| 28   | M/MIG250.77   | Mig Torch 3mtr Euro Connector Binzel TB25 |
| 29   | PMIG3530.29   | Torch Holder                              |
| 30   | PMIG3530.30   | Potentiometer Knob                        |
| 31   | PMIG3530.31   | Potentiometer                             |
| 32   | SMIG180.V3-06 | Potentiometer                             |
| 33   | PMIG3530.33   | Indicator Light (Green)                   |
| 34   | PMIG3530.34   | Indicator Light (Yellow)                  |
| 35   | PMIG3530.35   | Handle Support, Right                     |
| 36   | PMIG3530.36   | Handle                                    |
| 37   | PMIG3530.37   | Handle Support, Left                      |
| 38   | SMIG275.14    | Door Lock                                 |
| 39   | PMIG3530.39   | Left Side Panel                           |
| 40   | PMIG3530.40   | Euro Type Quick Socket                    |

| Item | Part No.     | Description   |
|------|--------------|---|
| 41   | PMIG3530.41  | Drive Motor (Internal 24v)                                |
| 42   | PMIG3530.42  | Support Plate   |
| 43   | PMIG3530.43  | Insulation Plate  |
| 44   | PMIG3530.44  | Universal Selector  |
| 45   | PMIG3530.45  | Control Board   |
| 46   | PMIG3530.46  | Bracket Base Plate  |
| 47   | PMIG3530.47  | Control Transformer                                       |
| 48   | SMIG275.45   | Spool Holder  |
| 49   | PMIG6035S.17 | Fuse Glass 3amp 250v 6x30                                 |
| 50   | PMIG3530.50  | Middle Panel  |
| 51   | PMIG3530.51  | Secondary Cable(210mm)                                    |
| 52   | PMIG3530.52  | Connect Cable (A)   |
| 53   | PMIG3530.53  | Connect Cable (B)   |
| 54   | PMIG3530.54  | Connect Cable (C)   |
| 55   | MC4CX2.5     | Mains cable blk,4 core,2.5mm2                             |
| -    | MIG920       | Contact Tip 1.6mm TB25/36 Pack of 5 (Not Shown)           |
| --   | MIG923       | Contact Tip 1.6mm Aluminium TB25/36 Pack of 5 (Not Shown) |
| --   | MIG/T25      | MIG Torch 3m Euro Connector MB25 (Not Shown)              |

**NOTE:** It is our policy to continually improve products and as such we reserve the right to alter data, specifications and component parts without prior notice. There may be alternative versions of this product, please contact us should you require this information.

**IMPORTANT:** No liability is accepted for incorrect use of product. Spare parts must be fitted by a competent person

**WARRANTY:** Guarantee is 12 months from purchase date, proof of which will be required for any claim.

**Sealey Group**, Kempson Way, Suffolk Business Park, Bury St Edmunds, Suffolk. IP32 7AR



01284 757500



01284 703534



sales@sealey.co.uk



www.sealey.co.uk