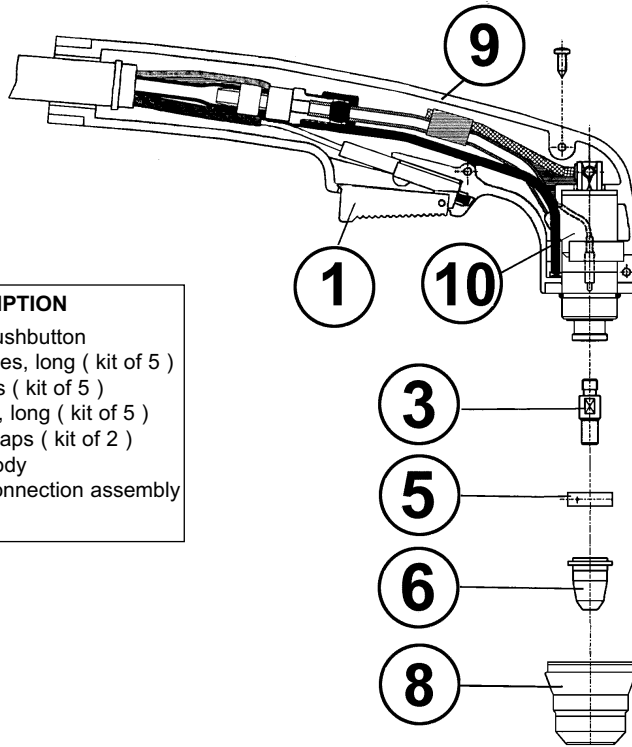
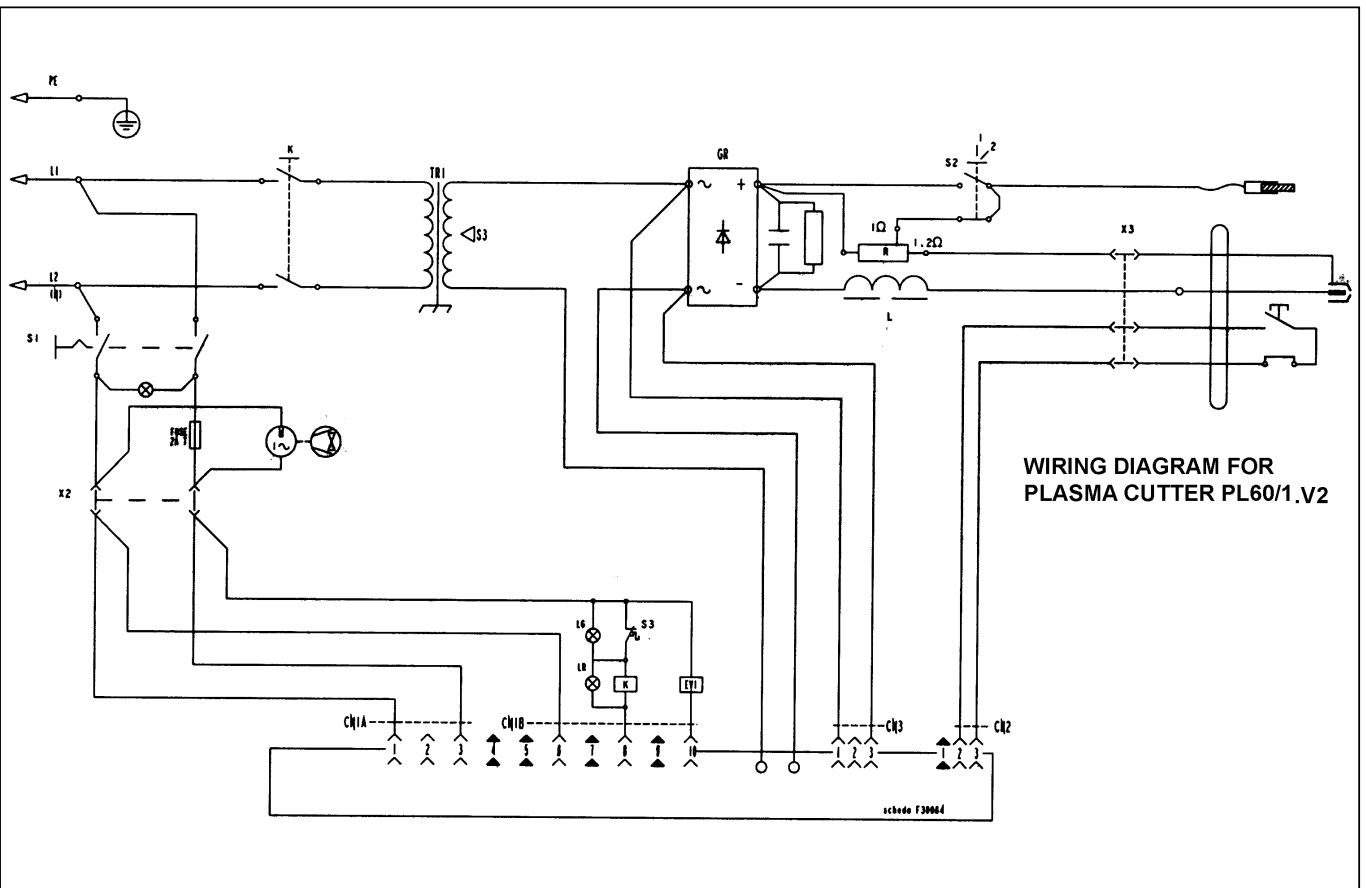


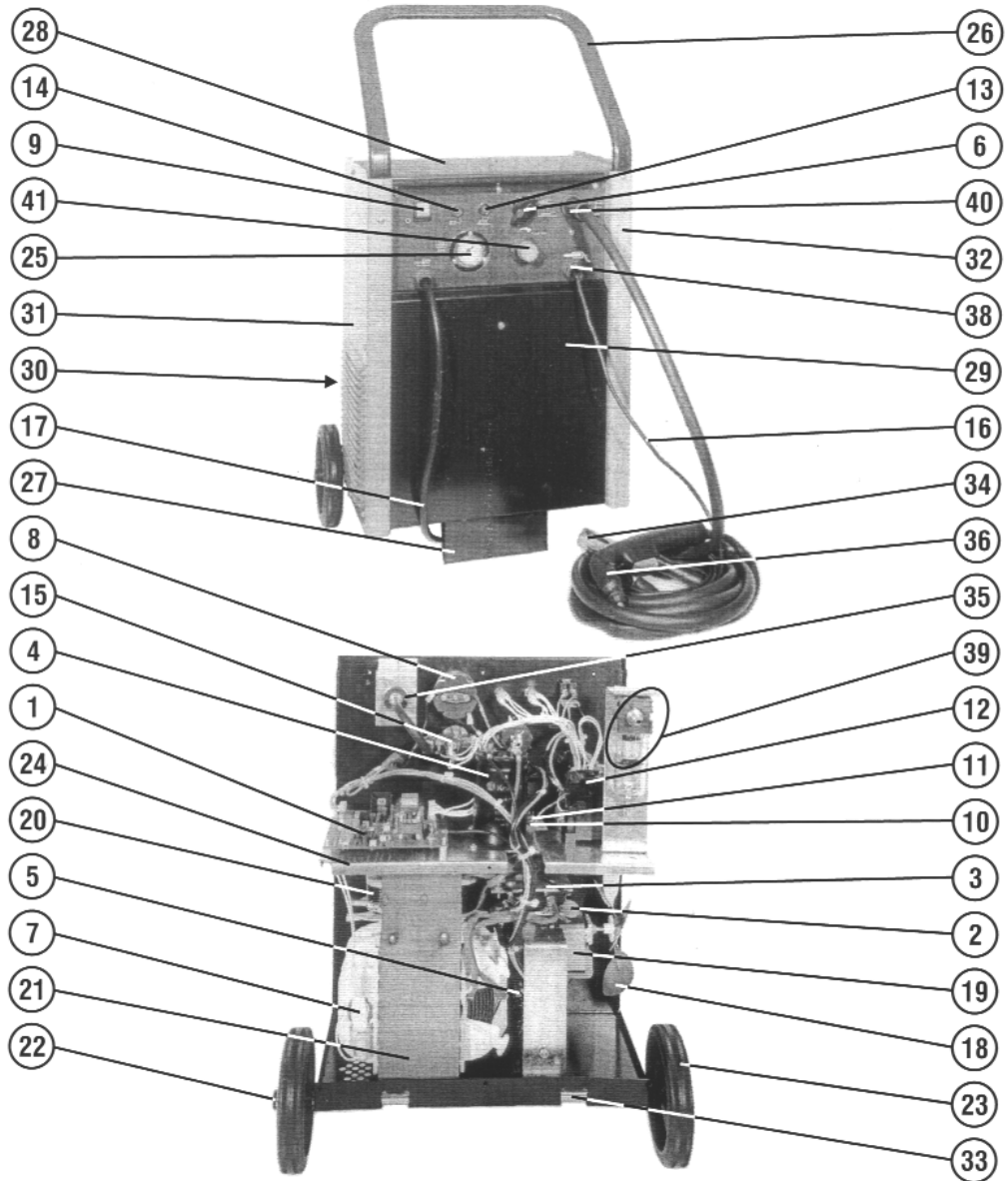
Issue: 1
Date: 251002



ITEM.	PART NO.	DESCRIPTION
1	120/722677	Torch pushbutton
3	120/802428	Electrodes, long (kit of 5)
5	120/802422	Diffusers (kit of 5)
6	120/802429	Nozzles, long (kit of 5)
8	120/802425	Safety caps (kit of 2)
9	120-802426	Torch body
10	120/742036	Torch connection assembly



Issue Date: 25/10/02
Issue No: 1



ITEM.	PART NO.	DESCRIPTION
1	120-112423	REGULATION CARD
2	120-112513	VARISTOR
3	120-112695	RECTIFIER
4	120-112854	CAPACITOR
5	120-112883	RESISTANCE
6	120-122058	SWITCH KNOB
7	120-122329	THERMOSTAT
8	120-122347	SWITCH
9	120-122381	SWITCH
10	120-122403	FUSE HOLDER
11	120-122433	FUSE 1A
12	120-122692	CONTACTOR
13	120-122910	PILOT LAMP
14	120-122707	YELLOW LIGHT
15	120-122850	ELECTROVALVE
16	120-123422	CABLE 6 MMQ 3 M
17	120-132190	MAINS CABLE 3G2.5 2 M
18	120-152111	FAN BLADE
19	120-152110	FAN MOTOR
20	120-164543	REACTANCE
21	120-164935	TRANSFORMER

ITEM.	PART NO.	DESCRIPTION
22	120-322102	WHEEL LOCKING RING
23	120-322198	FIXED WHEEL
24	120-482712	DIAPHRAGM
25	120-602022	MANOMETER
26	120-644284	HANDLE
27	120-644285	FOOT
28	120-644528	COVER
29	120-648694	FRONT PANEL
30	120-650046	BACK PANEL
31	120-650059	COVER
32	120-650060	LEFT SIDE
33	120-681147	WHEEL AXLE
34	120-712001	WORK CLAMP 150 A
35	120-722388	TORCH CONNECTION
36	120-742065	PLASMA TORCH 6 M 50 A
37	120-802143	MAGNETIC STRIP 1M
38	120-990046	KIT CABLE BUSHING + RING NUT
39	120-602040	AIR FILTER
40	120-322148	CABLE BUSHING
41	120-602019	AIR REGULATOR

