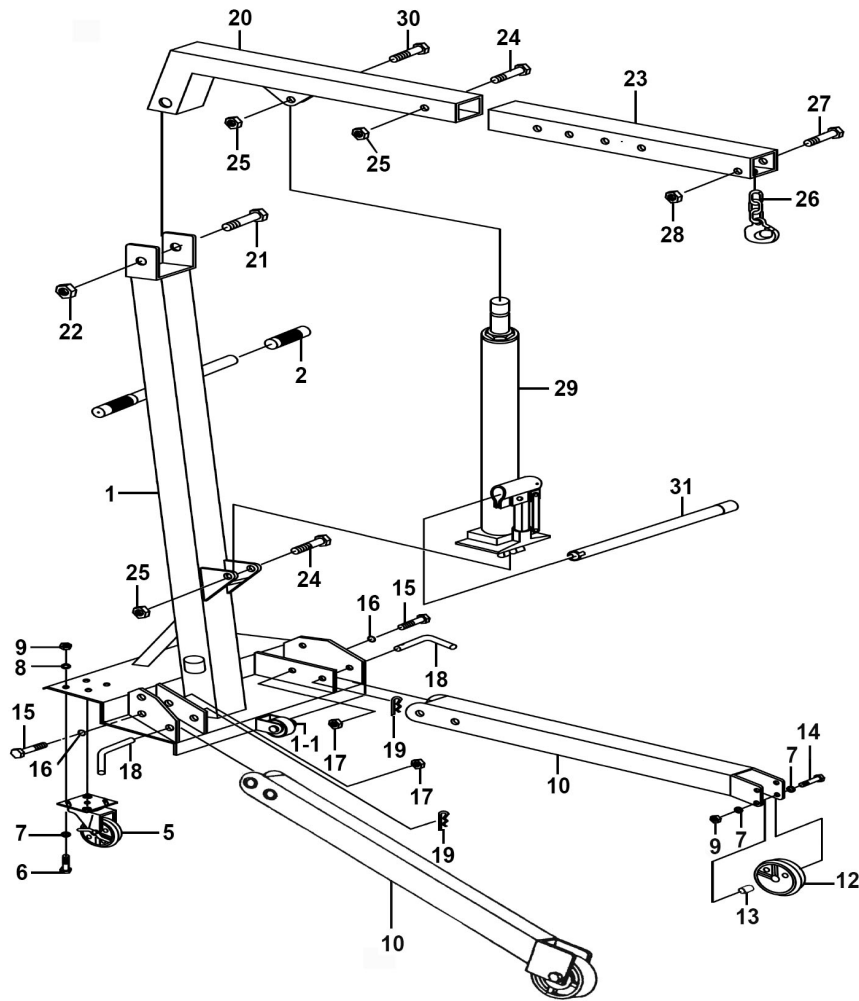


## Parts Information: Folding Engine Crane Yankee 1tonne Model No: PH10



Item	Part No.	Description
1	PH10/01	Main post
1-1	PH10/01-1	Wheel, fixed (D:40 W:17 B:10)
2	PH10/02	Grip
5	PH10/05	Swivel castor 125x42x9
6	SS1025.SB	Hex Head Set Screw M10 X 25 Black
7	FWM10.S	Flat Washer M10 Zinc
8	SWM10.SB	Spring Washer M10 Black
9	SN10.SB	Steel Nut M10 Black
10	PH10/10	Front leg
12	PH10/12A	Front wheel 146x36x15
13	PH10/13	Bushing
14	HHB1070.SB	Hex head bolt m10x70mm single black
15	PH10/15	Bolt m16x90
16	PH10/16	Washer m16 flat
17	SC10/17	Nut & washer (m16)
18	PH10/18	Lock pin
19	PH10/19	R-clip 3x50

Item	Part No.	Description
20	PH10/20	Boom
21	PH10/21	Bolt 3/4" x 4-5/8"
22	SN18.SB	Steel Nut M18 Black
23	PH10/23	Boom extension
24	PH10/24	Bolt 5/8" unc x 3-5/8"
25	SN58.UNCB	Steel Nut 5/8"UNC Black
26	PH10/26	Hook & chain
27	PH10/27	Bolt 1/2" unc x 3"
28	SN12.SB	Steel Nut M12 Black
29	PH10/29	Hydraulic unit (long ram jack)
30	PH10/30	Bolt 5/8" x 2-1/4"
31	PH10/31	Jack handle
--	PH10/RK	Repair kit (Not Shown)
--	PH10.29-01L	Seal large (taiwan version) (Not Shown)
--	PH10/29-1	Release valve (Not Shown)
--	PH10/03	Cotter pin 10x40 (cw small r-clip) (Not Shown)
--	SN6.S	Steel Nut M6 Zinc (Not Shown)

**NOTE:** It is our policy to continually improve products and as such we reserve the right to alter data, specifications and component parts without prior notice. There may be alternative versions of this product, please contact us should you require this information.

**IMPORTANT:** No liability is accepted for incorrect use of product. Spare parts must be fitted by a competent person

**WARRANTY:** Guarantee is 12 months from purchase date, proof of which will be required for any claim.