

Item	Part No.	Description	Qty
1	FUSN-ZM3001	Main Jib	1
2	FUSN-L01D0032	Axle for Main Job	1
3	FWM16.S	Flat Washer M16 Zinc	4
4	NLN16.S	Nyloc Nut M16 Zinc	4
5	FUSN-L06151	Handle Grip	2
6	FUSN-ZM1001	Main Post	1
7	FUSN-SL0190347	Pumping Handle	1
8	FUSN-L01D0033	Shaft Pin	1

Item	Part No.	Description	Qty
9	FUSN-L05100010	Shaft Clamp Ring	2
10	FUSN-L01D0022	Rear Wheel Plate Assembly	1
11	NLN12.S	Nyloc Nut M12 Zinc	2
12	FUSN-L03010145	Socket Cap Bolt	4
13	SWM12.S	Spring Washer M12 Zinc	4
14	FUSN-L06154	Wheel, Swivel Castor	2
15	FUSN-SL01D0036	Leg Pin	2
16	FUSN-ZM2005	Front Leg, Left Side	1

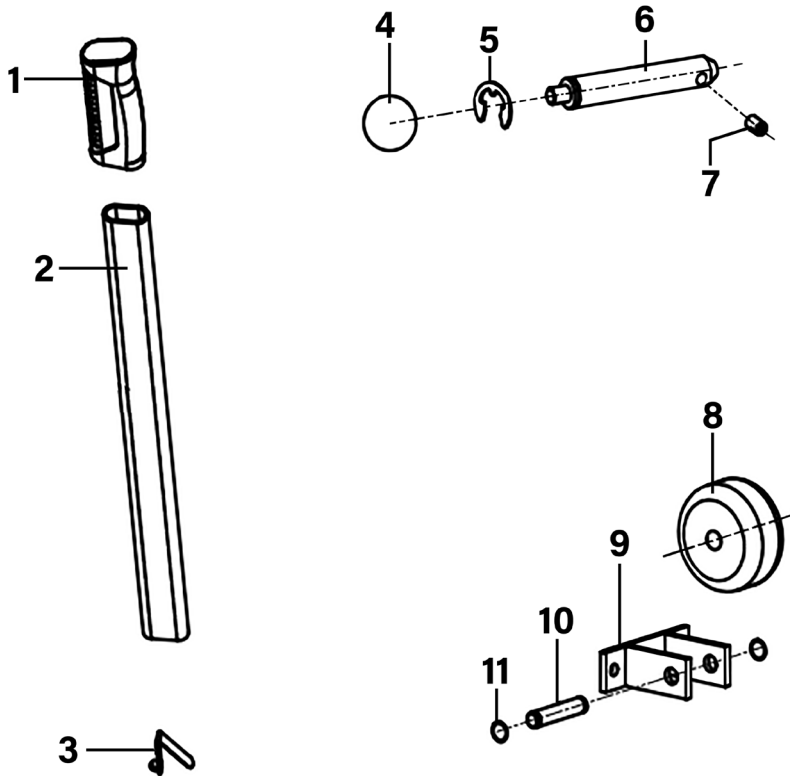
**NOTE:** It is our policy to continually improve products and as such we reserve the right to alter data, specifications and component parts without prior notice. There may be alternative versions of this product, please contact us should you require this information.

**IMPORTANT:** No liability is accepted for incorrect use of product. Spare parts must be fitted by a competent person

**WARRANTY:** Guarantee is 12 months from purchase date, proof of which will be required for any claim.

Item	Part No.	Description	Qty
17	NLN8.S	Nyloc Nut M8 Zinc	2
18	FUSN-L06153	Front Wheel	2
19	FUSN-L03010144	Wheel Fixing Bolt	2
20	FUSN-SL01D0039	Auxiliary Wheel Assembly	1
21	MSP816.S	Machine Screw Pan Head Phillips M8 x 16mm	2
22	FUSN-ZM2006	Front Leg, Right Side	1
23	FUSN-L01D0034	Rotating Shaft	1
24	GSM812.S	Grub Screw M8 X 12	1
25	FUSN-ZM0001	Hydraulic Ram Assembly	1
26	FUSN-L05100007	Spring Washer	2

Item	Part No.	Description	Qty
27	FUSN-L01D0038	Washer for Hook	2
28	FUSN-L20178	Hook	1
29	FUSN-L01D0037	Hook Shaft	1
30	FUSN-ZM3003	Extension Jib	1
31	FUSN-L01D0040	Gear Pin	1
32	FUSN-L05020077	Taper Spring	1
33	SS58.S	Hex Head Set Screw M5 X 8 Zinc	2
34	FUSN-L07C017	Jib Limit Plate	1
35	FUSN-L01D0031	Piston Rod Shaft	1
36	FUSN-L05100009	Shaft Clamp Ring	2



Item	Part No.	Description	Qty
1	FUSN-L06072	Handle Grip	1
2	FUSN-L0190347	Pumping Handle	1
3	FUSN-L03100015	V-Spring	1
4	FUSN-L06152	Knob, Plastic, Spherical	2
5	FUSN-L05100018	E-Clip	2
6	FUSN-L01D0036	Front Leg Latch	2

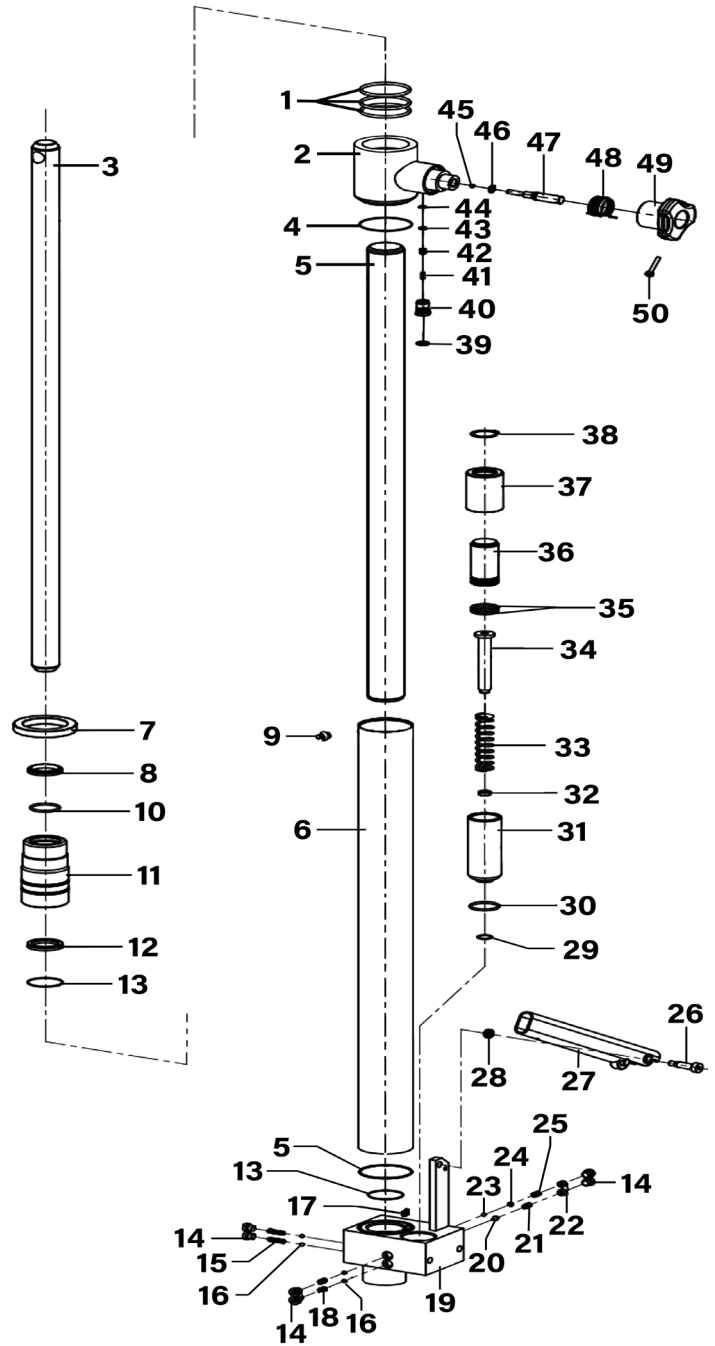
Item	Part No.	Description	Qty
7	FUSN-L03010090	Grub Screw M10 x 16	2
8	FUSN-L06033	Auxiliary Wheel	1
9	FUSN-L01D0039	Auxiliary Wheel Bracket	1
10	FUSN-L01D0035	Axle for Auxiliary Wheel	1
11	FUSN-L05100005	External Circlip	2

**NOTE:** It is our policy to continually improve products and as such we reserve the right to alter data, specifications and component parts without prior notice. There may be alternative versions of this product, please contact us should you require this information.

**IMPORTANT:** No liability is accepted for incorrect use of product. Spare parts must be fitted by a competent person

**WARRANTY:** Guarantee is 12 months from purchase date, proof of which will be required for any claim.

Item	Part No.	Description	Qty
1	FUSN-L02010090	O-Ring (Ø59.92 x 3.53)	3
2	FUSN-L01D0008	Pressure Relief Seat Assembly	1
3	FUSN-L01D0005	Piston Assembly	1
4	FUSN-L02010088	O-Ring (Ø65 x 1.8mm)	2
5	FUSN-L01D0004	Outer Sleeve Assembly	1
6	FUSN-L01D0006	Oil Tank	1
7	FUSN-L01C0007	Guide Ring (Ø89 x 18 x 15)	1
8	FUSN-L02050027	Dust-Proof Ring	1
9	FUSN-L0190032	Oil Plug Assembly	1
10	FUSN-L02010070	O-Ring (Ø34.59 x 2.62mm)	1
11	FUSN-L01C0008	Piston Rod Guide Sleeve	1
12	FUSN-L02030016	UN Seal	1
13	FUSN-L02010087	O-Ring	2
14	FUSN-L03010004	Oil Plug Screw (B)	6
15	FUSN-L05020009	Taper Spring	2
16	SB-6.0	Steel Ball 6.0mm	4
17	FUSN-L20154	Filter	2
18	FUSN-L05020112	Spring for Oil Plug	2
19	FUSN-L01D0001	Hydraulic Ram Base	1
20	FUSN-L0190157	Valve (Cone)	1
21	FUSN-L05020076	Low Pressure Regulating Screw	1
22	FUSN-L03010063	Pressure Regulating Screw	2
23	SB-5.5	Steel Ball 5.5mm	1
24	FUSN-L0180012	Steel Ball Holder	1
25	FUSN-L05020059	Pressure Regulating Spring	1
26	FUSN-L03010126	Handle Bolt	1
27	FUSN-L01D0009	Handle Socket	1
28	FUSN-L03020012	Hex Screw M8	1
29	FUSN-L02010091	O-Ring (Ø18.77 x 1.78mm)	1
30	FUSN-L02010092	O-Ring (Ø36.5 x 1.8mm)	1
31	FUSN-L01C0017	Plunger Bushing	1
32	FUSN-L02030014	Seal B3	1
33	FUSN-L05020106	Pump Return Spring (Large)	1
34	FUSN-L01C0018	Pump Plunger (Small)	1
35	FUSN-L02010065	X-Ring Seal (Ø29.82 x 2.62)	2
36	FUSN-L01C0019	Pump Plunger (Large)	1
37	FUSN-L06142	Dust-Proof Cover	1
38	FUSN-L05100013	External Circlip	1
39	FUSN-L02010066	O-Ring (Ø13.5 x 1.8mm)	1
40	FUSN-L01C0014	Pressure Relief Fixed Seat	1
41	FUSN-L05020105	Pressure Relief Spring (Secondary)	1
42	FUSN-L01B0154	Secondary Relief Seat	1



Item	Part No.	Description	Qty
43	FUSN-L20106	Filter	1
44	FUSN-L05100021	External Circlip	1
45	SB-6.4	Steel ball 6.4mm	1
46	FUSN-L02010078	O-Ring (Ø9.75 x 1.78)	1
47	FUSN-L01C0016	Pressure Relief Rod	1
48	FUSN-L05020089	Torsion Spring	1
49	FUSN-L06122	Release Knob	1
50	FUSN-L03010094	Grub Screw	1

**NOTE:** It is our policy to continually improve products and as such we reserve the right to alter data, specifications and component parts without prior notice. There may be alternative versions of this product, please contact us should you require this information.

**IMPORTANT:** No liability is accepted for incorrect use of product. Spare parts must be fitted by a competent person

**WARRANTY:** Guarantee is 12 months from purchase date, proof of which will be required for any claim.