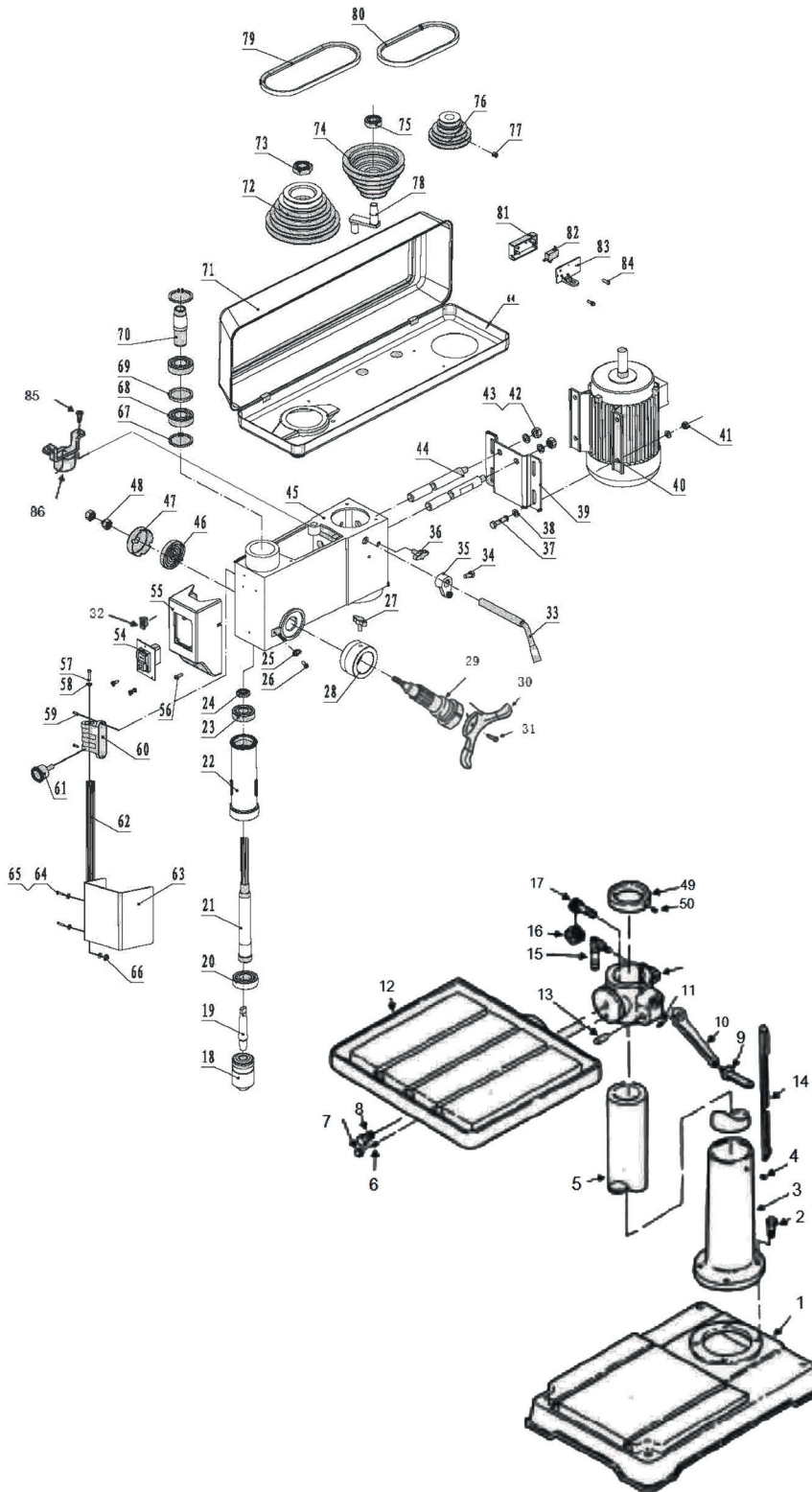




Parts Information:  
**Pillar Drill Floor 12-Speed 1710mm Height  
230V  
Model No: PDM260F.V2**



**NOTE:** It is our policy to continually improve products and as such we reserve the right to alter data, specifications and component parts without prior notice.

**IMPORTANT:** No liability is accepted for incorrect use of product.

**WARRANTY:** Guarantee is 12 months from purchase date, proof of which will be required for any claim.

**Sealey Group**, Kempson Way, Suffolk Business Park, Bury St Edmunds, Suffolk. IP32 7AR



01284 757500



01284 703534



sales@sealey.co.uk



www.sealey.co.uk



Parts Information:  
**Pillar Drill Floor 12-Speed 1710mm Height  
 230V  
 Model No: PDM260F.V2**

Item	Part No.	Description
1	PDM260FV2-01	Base
2	PDM260FV2-02	Screw Hex Head M12x1.75-40
3	PDM260FV2-03	Support Column
4	PDM260FV2-04	Screw-Hex Socket Set M10x1.5-12
5	PDM260FV2-05	Column Tube
6	PDM260FV2-06	Table Lock Pin
7	SN8.S	Steel Nut M8 Black (single)
8	PDM260FV2-08	Screw Hex Head M20x2.5-50
9	PDM260FV2-09	Handle for Crank
10	PDM260FV2-10	Crank (c/w Set Screw)
11	PDM260FV2-11	Table Support w/Indicator
12	PDM260FV2-12	Table
13	PDM260FV2-13	Gear Pin
14	PDM260FV2-14	Rack
15	PDM260FV2-15	Locking Handle
16	PDM260FV2-16	Helical Gear
17	PDM260FV2-17	Worm Elevation
18	PDM260FV2-18	Chuck
19	PDM260FV2-19	Arbor
20	B/6206ZZ	Bearing 6206ZZ
21	PDM260FV2-21	Spindle
22	PDM260FV2-22	Tube Quill
23	B/6204ZZ	Bearing 6204ZZ
24	PDM260FV2-24	Lock Nut
25	PDM260FV2-25	Pointer
26	PDM260FV2-26	Pane Head Screw
27	PDM260FV2-27	Lock Depth Screw
28	PDM260FV2-28	Depth Stop Ring w/Scale
29	PDM260FV2-29	Hub
30	PDM260FV2-30	Handle
31	SCB820.SB	Socket Head Cap Screw M8x20 Black
32	PDM260FV2-32	Lamp Switch
33	PDM260FV2-33	Tensioning Handle
34	PDM260FV2-34	
35	PDM260FV2-35	Adjusting Lever
36	PDM260FV2-36	Motor Adjusting Knob
37	SS825.SB	Hex Head Set Screw M8x25mm Single Black
38	FWM8.SB	Flat Washer M8 Black (single)
39	PDM260FV2-39	Motor Mount
40	PDM260FV2-40	Motor
41	SN8.SB	Steel Nut M8 Black (single)
42	SN8.SB	Steel Nut M8 Black (single)

Item	Part No.	Description
43	SWM8.SB	Spring Washer M8 Black (single)
44	PDM260FV2-44	Motor Bracket Support
45	PDM260FV2-45	Head w/Pointer and Trim
46	PDM260FV2-46	Torsion Spring
47	PDM260FV2-47	Spring Cap
48	SN10.SB	Steel Nut M10 Black (single)
49	PDM260FV2-49	Rack Collar
50	GSM610.S	Grub Screw M6x10 (single)
54	PDM260FV2-54	Switch
55	PDM260FV2-55	Switch Box
56	PDM260FV2-56	Screw Pan Head M24x1.4-8
57	PDM260FV2-57	Hex Screw
58	PDM260FV2-58	Washer
59	PDM260FV2-59	Screw Pan Head
60	PDM260FV2-60	Micro Switch Assembly
61	PDM260FV2-61	Lock Button
62	PDM260FV2-62	Chuck Guard Rod (300mm)
63	PDM260FV2-63	Chuck Guard
64	PDM260FV2-64	Washer
65	PDM260FV2-65	Screw Pan Head
66	PDM260FV2-66	Lock Nut
67	PDM260FV2-67	Retaining Ring
68	B/6206ZZ	Bearing 6206ZZ
69	PDM260FV2-69	Bearing Spacer
70	PDM260FV2-70	Pulley Insert
71	PDM260FV2-71	Pulley Guard
72	PDM260FV2-72	Pulley Spindle
73	PDM260FV2-73	Pulley Nut
74	PDM260FV2-74	Centre Pulley
75	B/6202ZZ	Bearing 6202ZZ
76	PDM260FV2-76	Motor Pulley
77	PDM260FV2-77	Set Screw M8x1.5-12
78	PDM260FV2-78	Idler Pivot
79	V/M25	V-Belt (Id-630) M25
80	V/M26	V-Belt (Id-650) M26
81	PDM260FV2-81	Micro switch cover
82	PDM260FV2-82	Micro switch
83	PDM260FV2-83	Micro switch cover
84	PDM260FV2-84	Self-tapping screw
85	PDM260FV2-85	Pan Head Screw
86	PDM260FV2-86	Lamp socket

**NOTE:** It is our policy to continually improve products and as such we reserve the right to alter data, specifications and component parts without prior notice.

**IMPORTANT:** No liability is accepted for incorrect use of product.

**WARRANTY:** Guarantee is 12 months from purchase date, proof of which will be required for any claim.

**Sealey Group**, Kempson Way, Suffolk Business Park, Bury St Edmunds, Suffolk. IP32 7AR



01284 757500



01284 703534



sales@sealey.co.uk



www.sealey.co.uk