

fig.1

Item	Part No.	Description
1	GSM610.S	Grub screw M6 x 10mm
2	PDM170F-1-02	Collar, Rack
3	PDM260F-1-18	Gear, Helical
4	PDM170F-1-04	Crank
6	PDM170F-1-06	Table
7	PDM240F-1-07	Clamp, Table
8	PDM170F-1-08	Screw Hex M16x20-35mm
9	PDM170F-1-09	Arm, Table (w/Scale)
10	PDM170F-1-10	Base

Item	Part No.	Description
11	PDM170F-1-11	Support, Column
12	SS1040.S	Hex Head Set Screw M10 x 40mm
13	GSM1012.S	Grub Screw M10 x 12mm
14	PDM170F-1-14	Column
15	PDM170F-1-15	Rack
17	PDM170F-1-17	Support, Table (w/Scale)
18	PDM155B-1-18	Worm Elevation
19	PDM260F-1-16	Gear Pin

NOTE: It is our policy to continually improve products and as such we reserve the right to alter data, specifications and component parts without prior notice. There may be alternative versions of this product, please contact us should you require this information.

IMPORTANT: No liability is accepted for incorrect use of product. Spare parts must be fitted by a competent person

WARRANTY: Guarantee is 12 months from purchase date, proof of which will be required for any claim.

Parts Information:
**Pillar Drill Floor 16-Speed 1610mm Height
 230V**
Model No: PDM170F

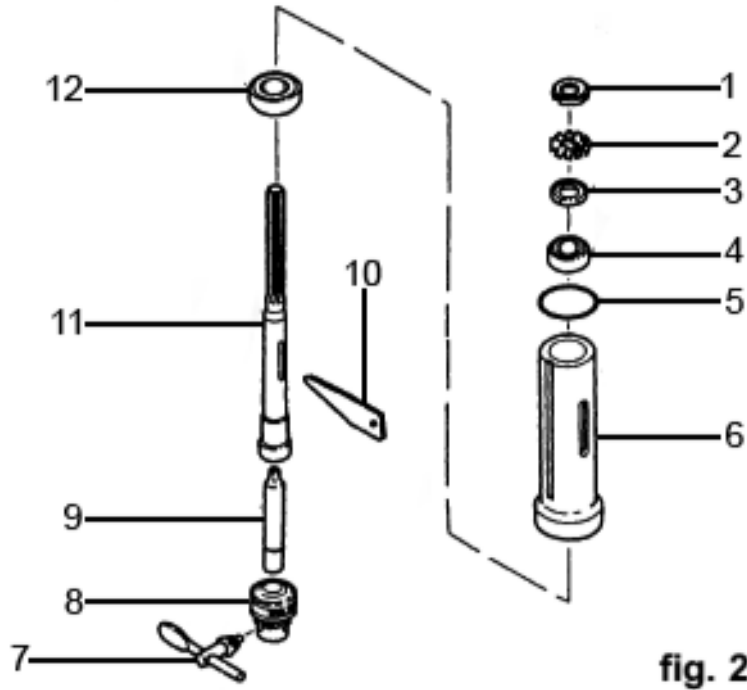


fig. 2

Item	Part No.	Description
1	PDM170F-2-01	Locking Nut
2	PDM170F-2-02	Locking Ring
3	PDM170F-2-03	Circlip
4	B/6201-2RS	Bearing
5	PDM170F-2-05	Washer, Rubber
6	PDM170F-2-06	Tube Quill

Item	Part No.	Description
7	GDM92B/44	Chuck Key
8	PDM170F-2-08	Chuck
9	PDM170F-2-09	Arbor
10	PDM170F-2-10	Key Drift
11	PDM170F-2-11	Spindle
12	B/6204-2RS	Bearing

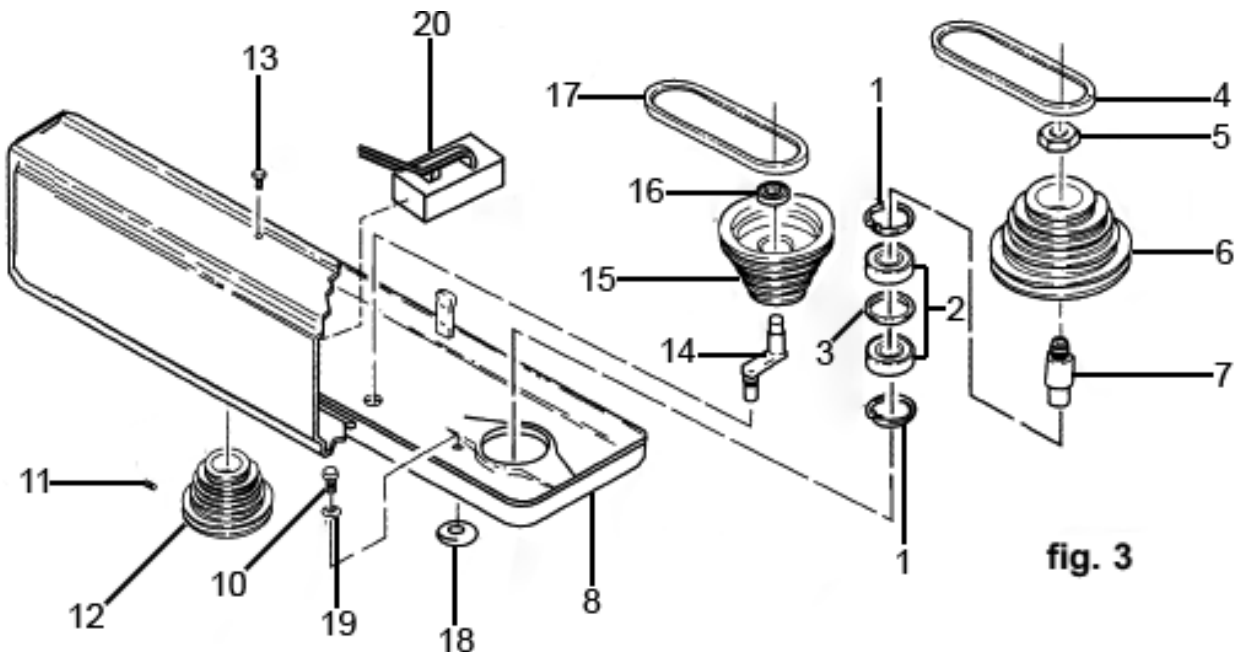


fig. 3

NOTE: It is our policy to continually improve products and as such we reserve the right to alter data, specifications and component parts without prior notice. There may be alternative versions of this product, please contact us should you require this information.

IMPORTANT: No liability is accepted for incorrect use of product. Spare parts must be fitted by a competent person

WARRANTY: Guarantee is 12 months from purchase date, proof of which will be required for any claim.



Parts Information:
**Pillar Drill Floor 16-Speed 1610mm Height
 230V**
Model No: PDM170F

Item	Part No.	Description
1	RE231V3-06	Circlip
2	B/6203-2RS	Bearing
3	PDM170F-3-03	Spacer, Bearing
4	V/M24	V-Belt
5	PDM170F-3-05	Half Nut, Pulley
6	PDM170F-3-06	Spindle, Pulley
7	PDM170F-3-07	Insert, Pulley
8	PDM170F-3-08	Guard, Pulley
10	PDM260F-3-10	Screw Rd Hd Washer M6 x 1.0-16mm
11	GSM815.S	Grub Screw M8 x 15mm

Item	Part No.	Description
12	PDM170F-3-11	Pulley, Motor
13	MSP512.SB	Machine Screw Pan Head Phillips M5 x 12mm Black
14	PDM240F-3-14	Idler Pivot
15	PDM170F-3-15	Pulley, Centre
16	B/6202ZZ	Bearing
17	V/M25	V-Belt
18	PDM155B-3-18	Washer, Foam
19	PDM170F-3-19	Ext Lock Washer M16
20	PDM.MS	Micro Switch

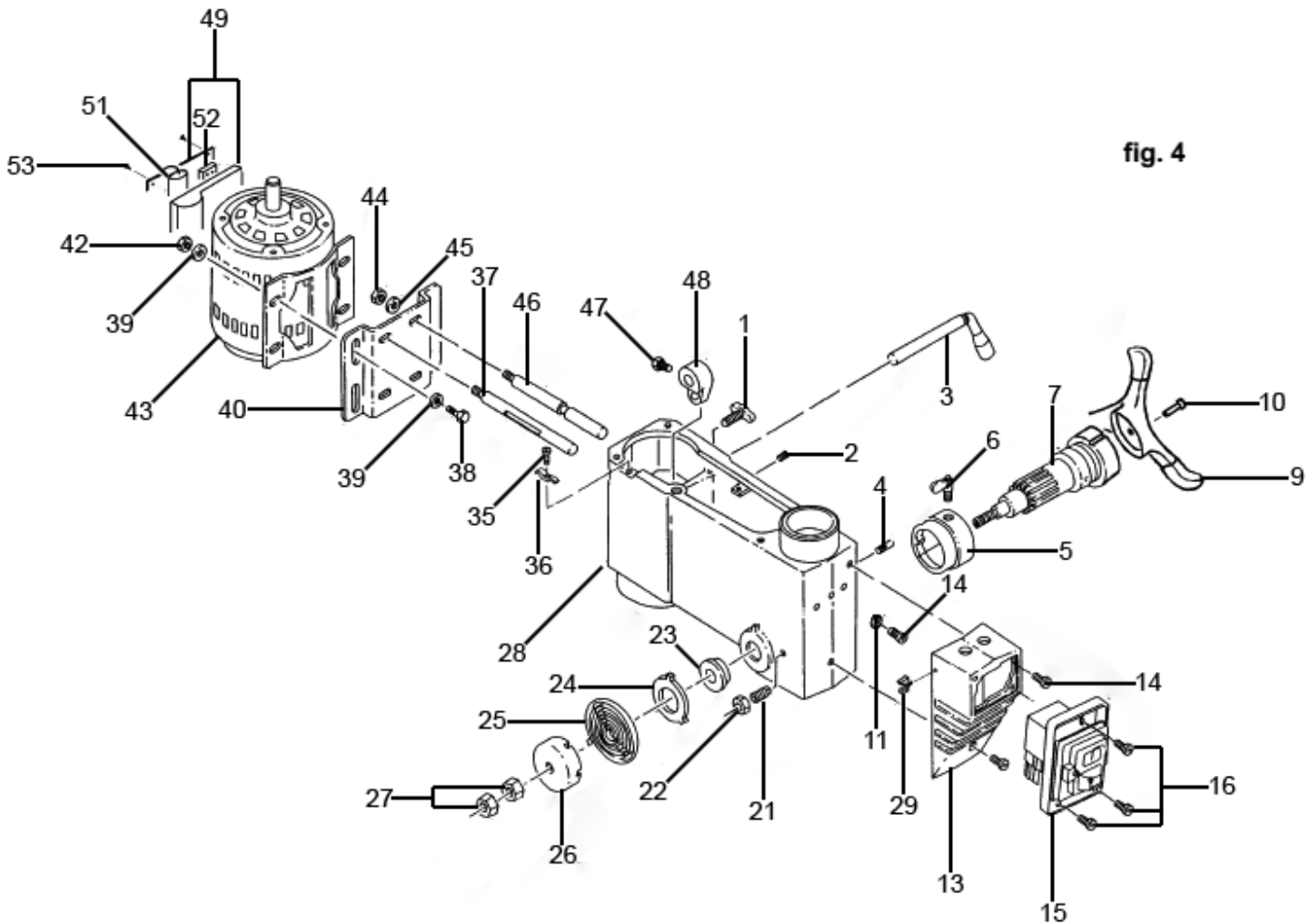


fig. 4

NOTE: It is our policy to continually improve products and as such we reserve the right to alter data, specifications and component parts without prior notice. There may be alternative versions of this product, please contact us should you require this information.

IMPORTANT: No liability is accepted for incorrect use of product. Spare parts must be fitted by a competent person

WARRANTY: Guarantee is 12 months from purchase date, proof of which will be required for any claim.

Sealey Group, Kempson Way, Suffolk Business Park, Bury St Edmunds, Suffolk. IP32 7AR



01284 757500



01284 703534



sales@sealey.co.uk



www.sealey.co.uk



Parts Information:
**Pillar Drill Floor 16-Speed 1610mm Height
230V
Model No: PDM170F**

Item	Part No.	Description
1	PDM170F-4-01	Adjustment Knob, Motor
2	GSM1012.S	Grub Screw M10 x 12mm
3	PDM170F-4-03	Belt, Tension Handle
4	PDM170F-4-04	Pin, Stop
5	PDM170F-4-05	Depth Stop Ring
6	PDM155B-4-06	Lock Depth Screw
7	PDM170F-4-07	Hub
9	PDM170F-4-09	Handle
10	SCB820.SB	Socket Cap Bolt M8 x 20mm Black
11	JSW.0001	Ext Tooth Washer M5
13	PDM170F-4-13	Housing, Switch
14	MSP58.SB	Machine Screw Pan Head Phillips M5 x 8mm Black
15	PDM170F-4-15	Switch, Power (c/w Cover)
16	PDM260F-4-29	Screw, Pan Head H24 x 1.4-8mm
21	PDM170F-4-21	Set Screw, Special M10 x 1.5-27mm
22	PDM170F-4-22	Hex Nut M10 x 1.5-27mm
23	PDM170F-4-23	Seat, Spring
24	PDM170F-4-24	Retainer, Spring
25	PDM170F-4-25	Torsion Spring
26	PDM170F-4-26	Cap, Spring
27	PDM170F-4-27	Half Nut, Fine Pitch M12 x 1.5mm

Item	Part No.	Description
28	PDM170F-4-28	Head
29	PDM170F-4-29	Clip, Chuck Key
35	PDM170F-4-35	Screw
36	PDM155B-4-36	Cord Clamp
37	PDM170F-4-37	Support, Motor Bracket (A)
38	SS825.SB	Hex Head Set Screw M8 X 25 Black
39	PDM155B-4-39	Washer
40	PDM170F-4-40	Mount, Motor
42	SN8.SB	Steel Nut M8 Black
43	PDM125B-4-43	Motor
44	PDM170F-4-44	Hex Nut M12 x 1.75mm
45	PDM170F-4-45	Lock Washer 1/2"
46	PDM170F-4-46	Support, Motor Bracket (B)
47	PDM170F-4-47	Screw Hex Hd M8 x 1.25-16mm
48	PDM260F-4-02	Adjusting Lever
49	PDM170F-4-49	Terminal Box
51	C/100-250	Capacitor
52	PDM155B-4-52	Terminal Block
53	MSP410.SB	Machine Screw Pan Head Phillips M4 x 10mm Black
--	DPG95	Drill Press Guard (Not Shown)

NOTE: It is our policy to continually improve products and as such we reserve the right to alter data, specifications and component parts without prior notice. There may be alternative versions of this product, please contact us should you require this information.

IMPORTANT: No liability is accepted for incorrect use of product. Spare parts must be fitted by a competent person

WARRANTY: Guarantee is 12 months from purchase date, proof of which will be required for any claim.

Sealey Group, Kempson Way, Suffolk Business Park, Bury St Edmunds, Suffolk. IP32 7AR



01284 757500



01284 703534



sales@sealey.co.uk



www.sealey.co.uk