

fig.1

Item	Part No.	Description
1	GSM610.S	Grub Screw M6 x 10mm
2	PDM155B-1-02	Rack, Collar
3	PDM260F-1-18	Gear, Helical
4	PDM170F-1-04	Crank
6	PDM155B-1-06	Table
7	PDM240F-1-07	Clamp, Table
8	PDM170F-1-08	Screw Hex M16 x 20-35mm
9	PDM155B-1-09	Arm, Table
10	PDM155B-1-10	Base

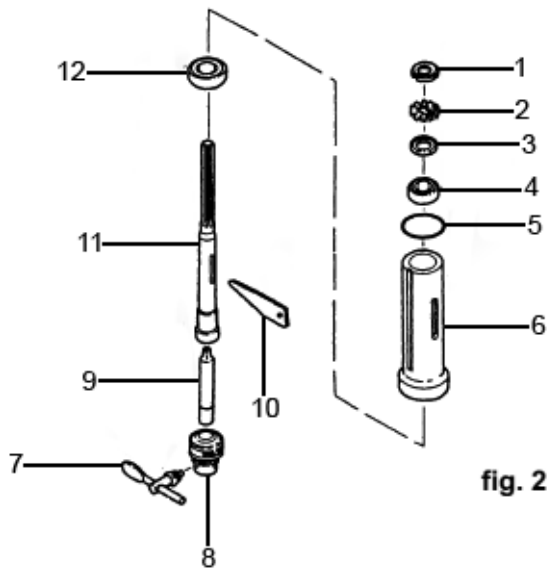
Item	Part No.	Description
11	PDM155B-1-11	Support, Column
12	SS1040.S	Hex Head Set Screw M10 x 40mm
13	GSM1012.S	Grub Screw M10 x 12mm
14	PDM155B-1-14	Column
15	PDM125B-1-15	Rack
17	PDM155B-1-17	Support, Table (w/Scale)
18	PDM155B-1-18	Worm Elevation
19	PDM260F-1-16	Gear Pin

NOTE: It is our policy to continually improve products and as such we reserve the right to alter data, specifications and component parts without prior notice. There may be alternative versions of this product, please contact us should you require this information.

IMPORTANT: No liability is accepted for incorrect use of product. Spare parts must be fitted by a competent person

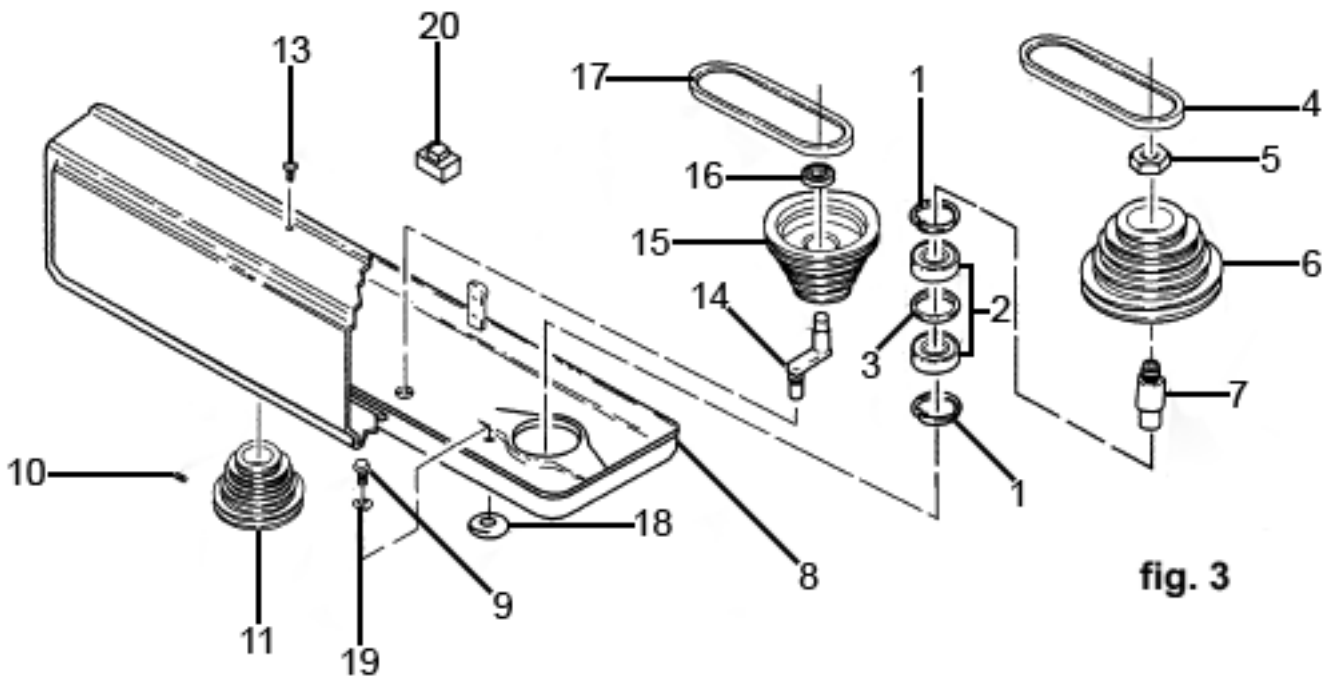
WARRANTY: Guarantee is 12 months from purchase date, proof of which will be required for any claim.

Parts Information:
**Pillar Drill Bench 16-Speed 1050mm Height
 230V**
Model No: PDM155B



Item	Part No.	Description
1	PDM170F-2-01	Nut, Locking
2	PDM170F-2-02	Ring Locking
3	PDM240F-2-03	Seal Washer, Metal
4	B/6203ZZ	Bearing
5	PDM155B-2-05	Washer, Rubber
6	PDM155B-2-06	Tube Quill

Item	Part No.	Description
7	GDM92B/44	Key, Chuck
8	PDM170F-2-08	Chuck
9	PDM170F-2-09	Arbor
10	PDM170F-2-10	Key Drift
11	PDM155B-2-11	Spindle
12	B/6204ZZ	Bearing



NOTE: It is our policy to continually improve products and as such we reserve the right to alter data, specifications and component parts without prior notice. There may be alternative versions of this product, please contact us should you require this information.

IMPORTANT: No liability is accepted for incorrect use of product. Spare parts must be fitted by a competent person

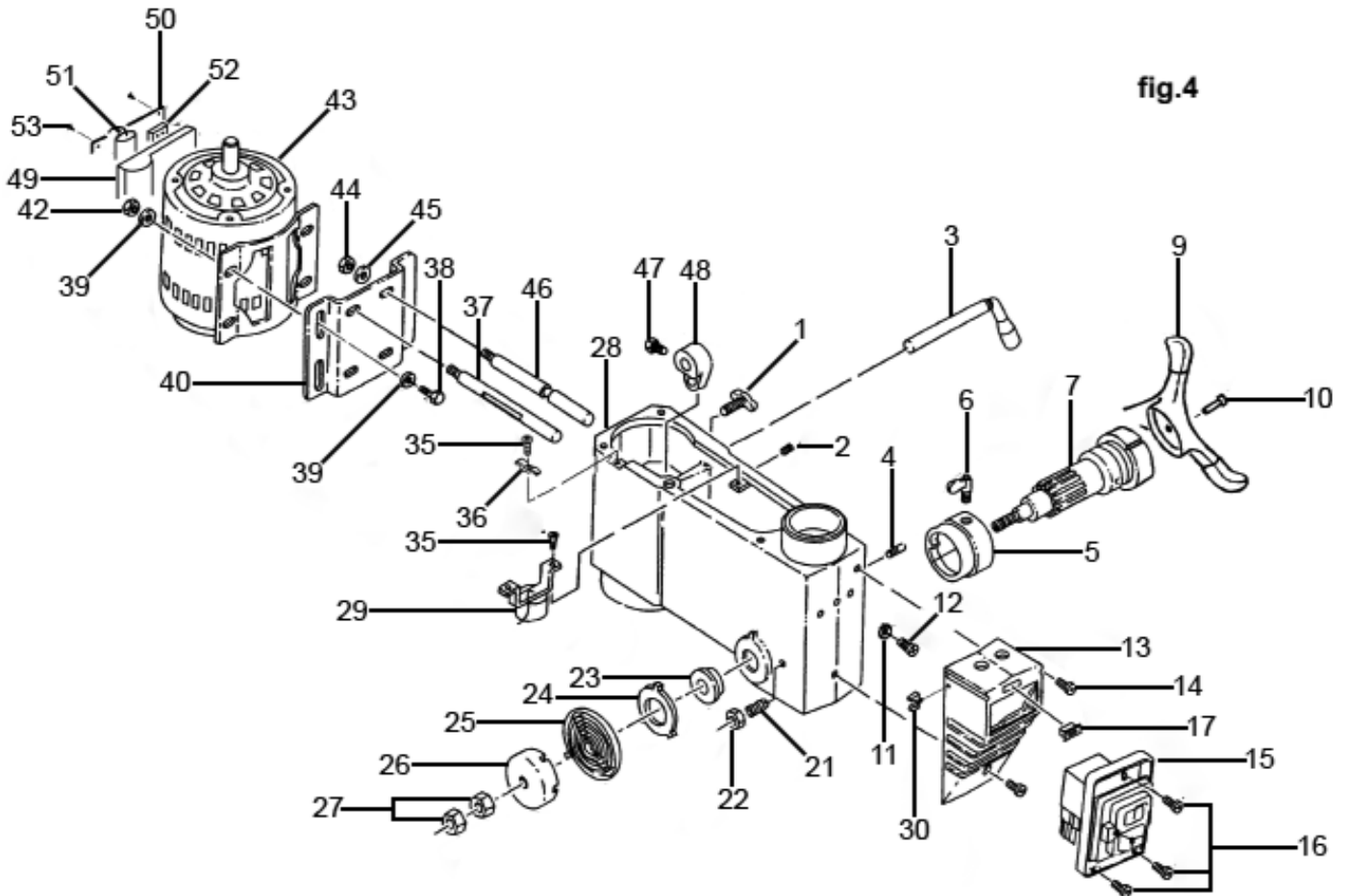
WARRANTY: Guarantee is 12 months from purchase date, proof of which will be required for any claim.



Parts Information:
**Pillar Drill Bench 16-Speed 1050mm Height
 230V**
Model No: PDM155B

Item	Part No.	Description
1	PDM155B-3-01	Retaining Ring
2	B/6204ZZ	Bearing
3	PDM155B-3-03	Spacer, Bearing
4	V/M24	V-Belt
5	PDM240F-3-05	Nut, Pulley
6	PDM155B-3-06	Pulley, Spindle
7	PDM155B-3-07	Insert, Pulley
8	PDM155B-3-08	Guard, Pulley
9	PDM260F-3-10	Screw Round Head Washer M6 x 1.0-16mm
10	GSM815.S	Grub Screw M8 x 15mm

Item	Part No.	Description
11	PDM170F-3-11	Pulley, Motor
13	MSP512.SB	Machine Screw Pan Head Phillips M5 x 12mm Black
14	PDM240F-3-14	Idler Pivot
15	PDM170F-3-15	Pulley, Centre
16	B/6202ZZ	Bearing
17	PDM155B-3-17	V Belt
18	PDM155B-3-18	Washer, Foam
19	PDM155B-3-19	Lock Washer M16
20	PDM.MS	Micro Switch



NOTE: It is our policy to continually improve products and as such we reserve the right to alter data, specifications and component parts without prior notice. There may be alternative versions of this product, please contact us should you require this information.

IMPORTANT: No liability is accepted for incorrect use of product. Spare parts must be fitted by a competent person

WARRANTY: Guarantee is 12 months from purchase date, proof of which will be required for any claim.

Sealey Group, Kempson Way, Suffolk Business Park, Bury St Edmunds, Suffolk. IP32 7AR



01284 757500



01284 703534



sales@sealey.co.uk



www.sealey.co.uk



Parts Information:
**Pillar Drill Bench 16-Speed 1050mm Height
 230V
 Model No: PDM155B**

Item	Part No.	Description
1	PDM170F-4-01	Adjustment Knob, Motor
2	GSM1012.S	Grub Screw M10 x 12mm
3	PDM170F-4-03	Handle, Belt Tension
4	PDM155B-4-04	Pin-Stop
5	PDM155B-4-05D	Depth Stop
6	PDM155B-4-06	Screw, Lock Depth
7	PDM155B-4-07	Hub
9	PDM155B-4-09	Handle
10	SCB820.SB	Socket Cap Bolt M8 x 20mm Black
11	PDM155B-4-11	Ext Tooth Washer M5, Black
12	MSP58.SB	Machine Screw Pan Head Phillips M5 x 8mm Black
13	PDM155B-4-13	Housing, Power Switch
14	MSP516.SB	Pan Head Machine Screw M5 x 16 Black
15	PDM170F-4-15	Switch, Power (c/w Cover)
16	PDM260F-4-29	Screw Pan Head M24 x 1.4-8mm
17	PDM155B-4-17	Light Switch, Power Rocker
21	PDM155B-4-21	Threaded Bolt M3 x 15mm
22	SN10.SB	Steel Nut M10 Black
23	PDM170F-4-23	Seat, Spring
24	PDM170F-4-24	Retainer, Spring
25	PDM155B-4-25	Torsion Spring
26	PDM170F-4-26	Cap, Spring
27	SN12.SB	Steel Nut M12 Black
28	PDM155B-4-28	Head

Item	Part No.	Description
29	PDM260F-4-48	Socket, Bulb
30	PDM170F-4-29	Clip, Chuck Key
35	MSP612.SB	Machine Screw Pan Head Phillips M6 x 12mm Black
36	PDM155B-4-36	Clamp, Cord
37	PDM155B-4-37	Motor Bracket Support (A)
38	SS825.SB	Hex Head Set Screw M8 x 25mm Black
39	PDM155B-4-39	Washer
40	PDM170F-4-40	Mount, Motor
42	SN8.SB	Steel Nut M8 Black
43	PDM125B-4-43	Motor
45	PDM170F-4-45	Lock Washer 1/2"
46	PDM155B-4-46	Motor Bracket Support (B)
47	PDM170F-4-47	Screw Hex Hd M8 x 1.25-16mm
48	PDM260F-4-02	Lever, Adjusting
49	PDM155B-4-49	Terminal Box
50	PDM155B-4-50	Cover, Terminal Box
51	PDM155B-4-51	Capacitor
52	PDM155B-4-52	Terminal Block
53	MSP410.SB	Machine Screw Pan Head Phillips M4 x 10mm Black
--	PDM260F-4-21	Depth Stop Ring (Not Shown)
--	PDM155B-4-29C	Cover, Light (Not Shown)
--	DPG99	Drill Press Guard (Not Shown)
--	PDM155B-4-54	Spacer (Shown)

NOTE: It is our policy to continually improve products and as such we reserve the right to alter data, specifications and component parts without prior notice. There may be alternative versions of this product, please contact us should you require this information.

IMPORTANT: No liability is accepted for incorrect use of product. Spare parts must be fitted by a competent person

WARRANTY: Guarantee is 12 months from purchase date, proof of which will be required for any claim.

Sealey Group, Kempson Way, Suffolk Business Park, Bury St Edmunds, Suffolk. IP32 7AR



01284 757500



01284 703534



sales@sealey.co.uk



www.sealey.co.uk