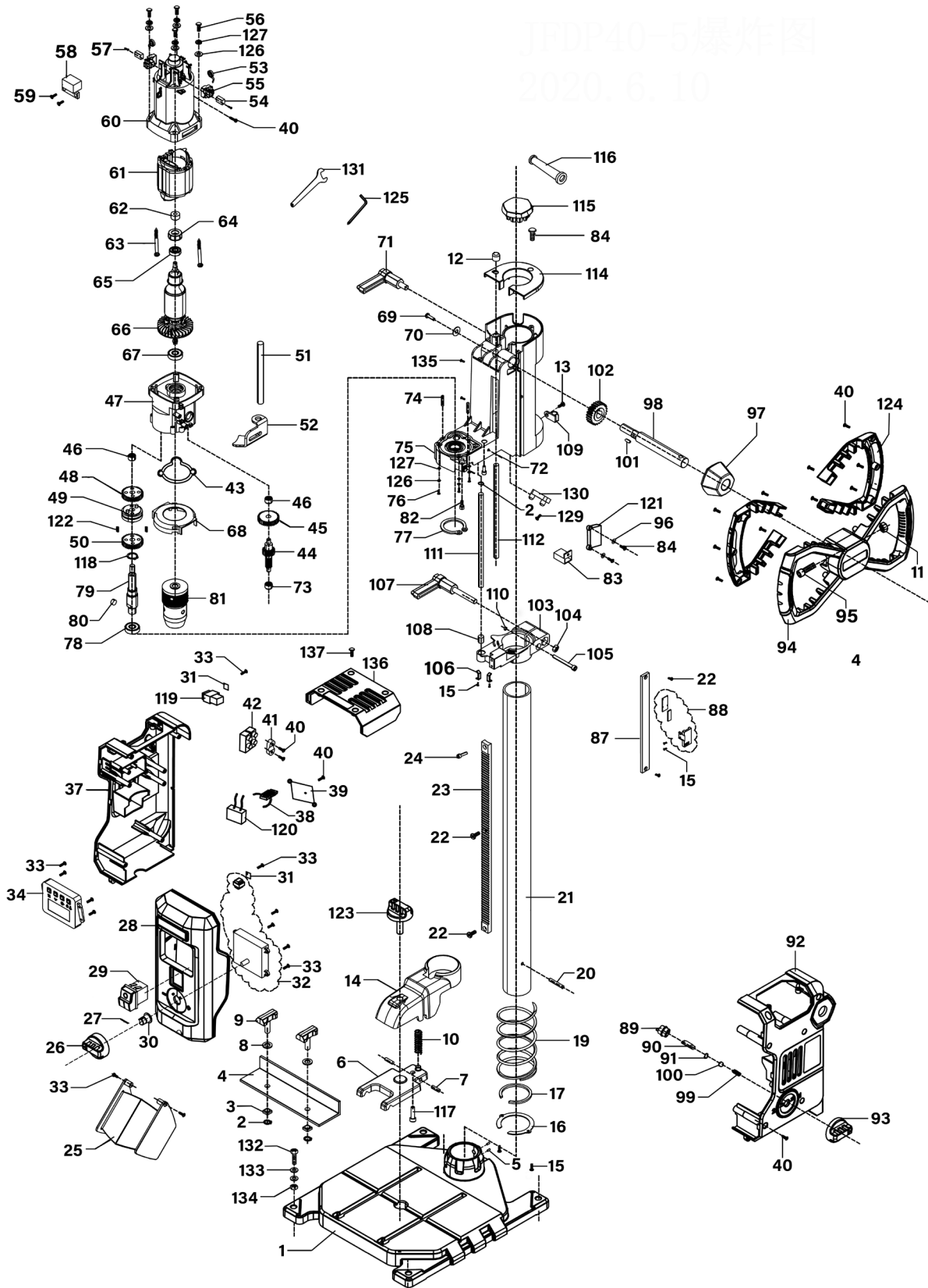


Parts Information: Bench Pillar Drill with Digital Display & Laser Guide 710W Model No: PDM10B



NOTE: It is our policy to continually improve products and as such we reserve the right to alter data, specifications and component parts without prior notice. There may be alternative versions of this product, please contact us should you require this information.

IMPORTANT: No liability is accepted for incorrect use of product. Spare parts must be fitted by a competent person

WARRANTY: Guarantee is 12 months from purchase date, proof of which will be required for any claim.



Parts Information:
**Bench Pillar Drill with Digital Display &
 Laser Guide 710W**
Model No: PDM10B

| Item | Part No. | Description |
|------|-----------|---|
| 1 | PDM10B-01 | Aluminium Base |
| 2 | PDM10B-02 | Split Washer |
| 3 | PDM10B-03 | Square Nut M8 |
| 4 | PDM10B-04 | Guide Plate |
| 5 | PDM10B-05 | Base Screw M8x8 |
| 6 | PDM10B-06 | Splint |
| 7 | PDM10B-07 | Splint Locating Pin |
| 8 | PDM10B-08 | Washer (Ø9 x Ø18 x 1.2) |
| 9 | PDM10B-09 | Splint Tightening Knob |
| 10 | PDM10B-10 | Splint Spring |
| 11 | SN6.S | Steel Nut M6 Zinc |
| 12 | PDM10B-12 | Locking Key |
| 13 | MSP410.S | Machine Screw Pan Head Phillips M4 X 10mm |
| 14 | PDM10B-14 | Positioning Locking Base |
| 15 | MSP48.S | Machine Screw Pan Head Phillips M4 X 8 mm |
| 16 | PDM10B-16 | Pressing Plate Ring |
| 17 | PDM10B-17 | Split Washer |
| 19 | PDM10B-19 | Column Spring |
| 20 | PDM10B-20 | Locating Pin for Column |
| 21 | PDM10B-21 | Column |
| 22 | SCB48.SB | Socket Cap Bolt M4 x 8mm Black |
| 23 | PDM10B-23 | Vertical Rack |
| 24 | SCB48.SB | Socket Cap Bolt M4 x 8mm Black |
| 25 | PDM10B-25 | Protection Guard |
| 26 | PDM10B-26 | Electronic Speed Control Knob |
| 27 | PDM10B-27 | Spring Plate |
| 28 | PDM10B-28 | Front Cover |
| 29 | PDM10B-29 | Main Switch |
| 30 | PDM10B-30 | Speed Adjustable Knob Sleeve |
| 31 | PDM10B-31 | Lead Fixed Plate |
| 32 | PDM10B-32 | Electronic Speed Control |
| 33 | PDM10B-33 | Pan Head Tapping Screw ST2.9 x 10 |
| 34 | PDM10B-34 | LCD Display |
| 37 | PDM10B-37 | Side Casing, Left |
| 38 | PDM10B-38 | Inductance / Inductance |
| 39 | PDM10B-39 | Inductance Press Plate |
| 40 | PDM10B-40 | Pan Head Tapping Screw ST4 x 12 |
| 41 | PDM10B-41 | Cable Grip |
| 42 | PDM10B-42 | Wire Terminal Block |
| 43 | PDM10B-43 | Seal Gasket |
| 44 | PDM10B-44 | Middle Shaft Gearing |
| 45 | PDM10B-45 | Gear (Large) |
| 46 | B/HK0808 | Needle bearing hk0808 |

| Item | Part No. | Description |
|------|-----------|---|
| 47 | PDM10B-47 | Gearbox |
| 48 | PDM10B-48 | Gear (High Speed) |
| 49 | PDM10B-49 | Clutch Gear Assembly |
| 50 | PDM10B-50 | Gear (Low Speed) |
| 51 | PDM10B-51 | Support Pin |
| 52 | PDM10B-52 | Gear Shifter Plate |
| 53 | PDM10B-53 | Carbon Brush Spring |
| 54 | PDM10B-54 | Carbon Brush |
| 55 | PDM10B-55 | Carbon Brush Holder |
| 56 | MSP530.S | Machine Screw Pan Head Phillips M5 X 30mm |
| 57 | PDM10B-57 | Pan Head Tapping Screw ST2.9 x 8 |
| 58 | PDM10B-58 | Sensor |
| 59 | PDM10B-59 | Pan Head Tapping Screw ST3 x 6 |
| 60 | PDM10B-60 | Housing for Stator |
| 61 | PDM10B-61 | Stator |
| 62 | PDM10B-62 | Magnetic Ring |
| 63 | PDM10B-63 | Pan Head Tapping Screw ST3.9 x 60 |
| 64 | PDM10B-64 | Bearing Sleeve |
| 65 | B/607ZZ | Bearing 607zz |
| 66 | PDM10B-66 | Rotor |
| 67 | B/609ZZ | Bearing 609zz |
| 68 | PDM10B-68 | Air Flow Guard |
| 69 | MSP610.S | Machine Screw Pan Head Phillips M6 X 10mm |
| 70 | PDM10B-70 | Washer (Ø16 x Ø6.4 x 1) |
| 71 | PDM10B-71 | Locking Handle Knob |
| 72 | SCB45.SB | Socket Cap Bolt M4 x 5mm Black |
| 73 | PDM10B-73 | Oil Bearing (6 x Ø10 x 8) |
| 74 | PDM10B-74 | Gearbox Locating Pin Ø5 x 14 |
| 75 | PDM10B-75 | Top Support Case |
| 76 | MSP518.S | Machine Screw Pan Head Phillips M5 x 18mm |
| 77 | PDM10B-77 | External Circlip |
| 78 | B/6002ZZ | Bearing 6002zz |
| 79 | PDM10B-79 | Output Shaft |
| 80 | PDM10B-80 | Magnetic Key Ø6 |
| 81 | PDM10B-81 | Drill Chuck (1/2"-20UNF) |
| 82 | PDM10B-82 | Laser Head |
| 83 | PDM10B-83 | Speed Transmitter |
| 84 | MSP412.S | Machine Screw Pan Head Phillips M4 X 12mm |
| 87 | PDM10B-87 | Caliper |
| 88 | PDM10B-88 | Holder for Circuit Board Caliper |
| 89 | PDM10B-89 | Speed Control Knob (Inner) |
| 90 | PDM10B-90 | Speed Control Knob Pin |
| 91 | PDM10B-91 | Shaft Ring Ø12 |

NOTE: It is our policy to continually improve products and as such we reserve the right to alter data, specifications and component parts without prior notice. There may be alternative versions of this product, please contact us should you require this information.

IMPORTANT: No liability is accepted for incorrect use of product. Spare parts must be fitted by a competent person

WARRANTY: Guarantee is 12 months from purchase date, proof of which will be required for any claim.

Sealey Group, Kempson Way, Suffolk Business Park, Bury St Edmunds, Suffolk. IP32 7AR



01284 757500



sales@sealey.co.uk



www.sealey.co.uk



Parts Information:
Product description if required
Model No: PDM10B

| Item | Part No. | Description |
|------|------------|------------------------------------|
| 92 | PDM10B-92 | Side Casing, Right |
| 93 | PDM10B-93 | Speed Control Knob |
| 94 | PDM10B-94 | Handwheel |
| 95 | PDM10B-95 | Socket Head Screw M6 |
| 96 | FWM4.S | Flat Washer M4 |
| 97 | PDM10B-97 | Handwheel Cushion |
| 98 | PDM10B-98 | Lift Shaft Pin |
| 99 | PDM10B-99 | Spring |
| 100 | SB-4.0 | Steel Ball 4.0mm |
| 101 | PDM10B-101 | Flat Key (4x4x10) |
| 102 | PDM10B-102 | Lift Shaft Gear |
| 103 | PDM10B-103 | Fixed Base for Column Top |
| 104 | SN8.S | Steel Nut M8 Zinc |
| 105 | SS645.S | Hex Head Set Screw M6 X 45 Zinc |
| 106 | PDM10B-106 | Spring Plate |
| 107 | PDM10B-107 | Locking Handle Knob for Fixed Base |
| 108 | PDM10B-108 | Locating Bearing |
| 109 | PDM10B-109 | Strain Relief Clamp |
| 110 | SN6.S | Steel Nut M6 Zinc |
| 111 | PDM10B-111 | Support Locating Shaft for Bracket |
| 112 | PDM10B-112 | Sliding Bar for Bracket Adjustment |
| 114 | PDM10B-114 | Support Top Cover |

| Item | Part No. | Description |
|------|------------|---|
| 115 | PDM10B-115 | Stand Column Cover |
| 116 | PDM10B-116 | Cable Sleeve |
| 117 | PDM10B-117 | Cylindrical Head Socket Set Screw M6x30 |
| 118 | PDM10B-118 | External Circlip |
| 119 | PDM10B-119 | Buckle for Locking Wire |
| 120 | PDM10B-120 | Capacitor 0.1uF |
| 121 | PDM10B-121 | Holder for PCB |
| 122 | PDM10B-122 | Key for Clutch Gear Assembly |
| 123 | PDM10B-123 | Locking Knob for Positioning Base |
| 124 | PDM10B-124 | Handwheel Cover |
| 125 | PDM10B-125 | Hex Wrench |
| 126 | SWM5.S | Spring Washer M5 Zinc |
| 127 | FWM5.S | Flat Washer M5 Zinc |
| 129 | PDM10B-129 | Pan Head Tapping Screw ST4 x 8 |
| 130 | PDM10B-130 | LED Lamp |
| 131 | PDM10B-131 | Open-End Wrench |
| 132 | SS850.S | Hex Head Set Screw M8 X 50 Zinc |
| 133 | FWM8.S | Flat Washer M8 Zinc |
| 134 | SN8.S | Steel Nut M8 Zinc |
| 135 | PDM10B-135 | Pan Head Tapping Screw ST4 x 14 |
| 136 | PDM10B-136 | Carbon Brush Cover |
| 137 | PDM10B-129 | Pan Head Tapping Screw ST4 x 8 |

NOTE: It is our policy to continually improve products and as such we reserve the right to alter data, specifications and component parts without prior notice. There may be alternative versions of this product, please contact us should you require this information.

IMPORTANT: No liability is accepted for incorrect use of product. Spare parts must be fitted by a competent person

WARRANTY: Guarantee is 12 months from purchase date, proof of which will be required for any claim.

Sealey Group, Kempson Way, Suffolk Business Park, Bury St Edmunds, Suffolk. IP32 7AR



01284 757500



sales@sealey.co.uk



www.sealey.co.uk