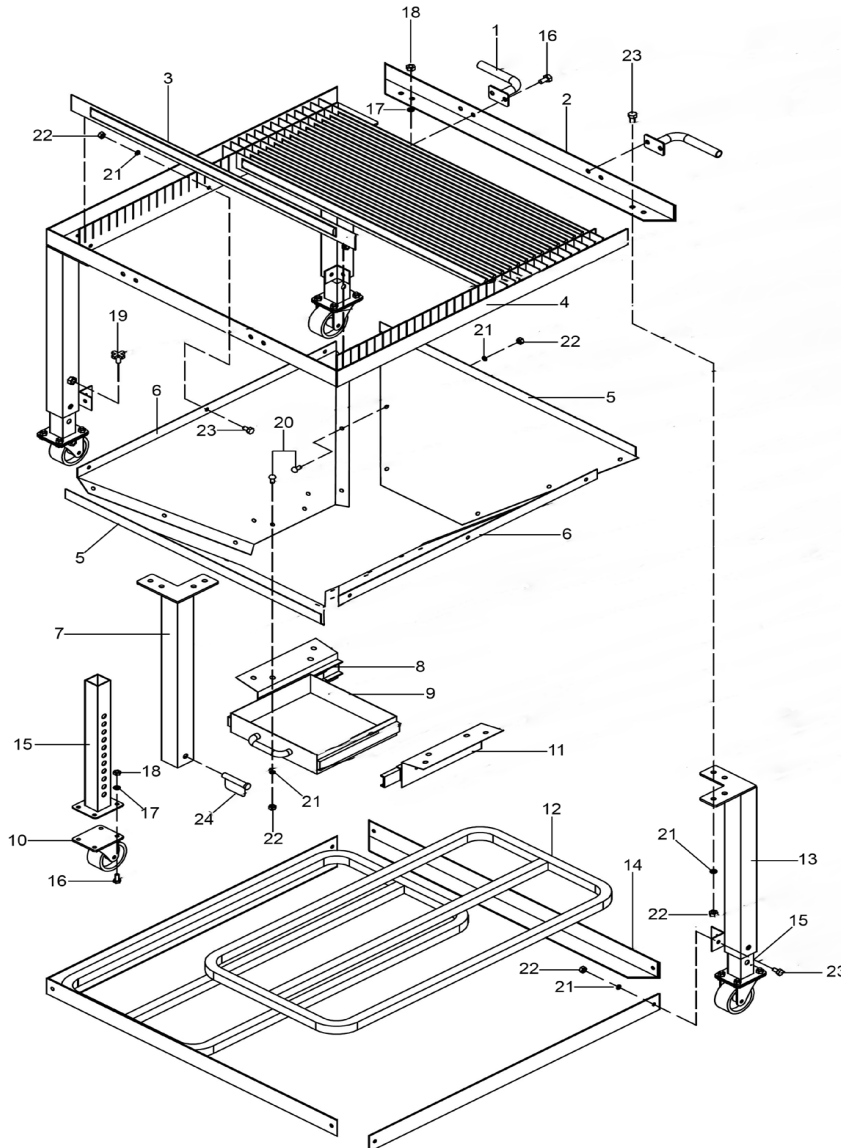


## Parts Information: Plasma Cutting Table/Workbench - Adjustable Height with Castor Wheels Model No: PCT2



Item	Part No.	Description
1	PCT2.01	Removable Side Handle
2	PCT2.02	Main Beam (A)
3	PCT2RS	Replacement Slats- Pack of 10
4	PCT2.04	Main Beam (B)
5	PCT2.05	Funnel Side Plate (A)
6	PCT2.06	Funnel Side Plate (B)
7	PCT2.07	Foot Support (A)
8	PCT2.08	Drawer Support (A)
9	PCT2.09	Drawer
10	PCT2.10	Lockable Castor
11	PCT2.11	Drawer Support (B)
12	PCT2.12	Platform Base
13	PCT2.13	Foot Support (B)

Item	Part No.	Description
14	PCT2.14	Support Beam
15	PCT2.15	Foot Link
16	SS1025.S	Hex Head Set Screw M10 X 25 Zinc
17	SWM10.S	Spring Washer M10 Zinc
18	SN10.S	Steel Nut M10 Zinc
19	SS1040.S	Hex Head Set Screw M10 X 40 Zinc
20	PCT2.20	Button Head Screw M8 X 25
21	SWM8.S	Spring Washer M8 Zinc
22	SN8.S	Steel Nut M8 Zinc
23	SS830.S	Hex Head Set Screw M8 X 30 Zinc
24	PCT2.24	Foot Support Pin
--	PCT2-FK	Fixing Kit for PCT2 (Not Shown)

**NOTE:** It is our policy to continually improve products and as such we reserve the right to alter data, specifications and component parts without prior notice. There may be alternative versions of this product, please contact us should you require this information.

**IMPORTANT:** No liability is accepted for incorrect use of product. Spare parts must be fitted by a competent person

**WARRANTY:** Guarantee is 12 months from purchase date, proof of which will be required for any claim.