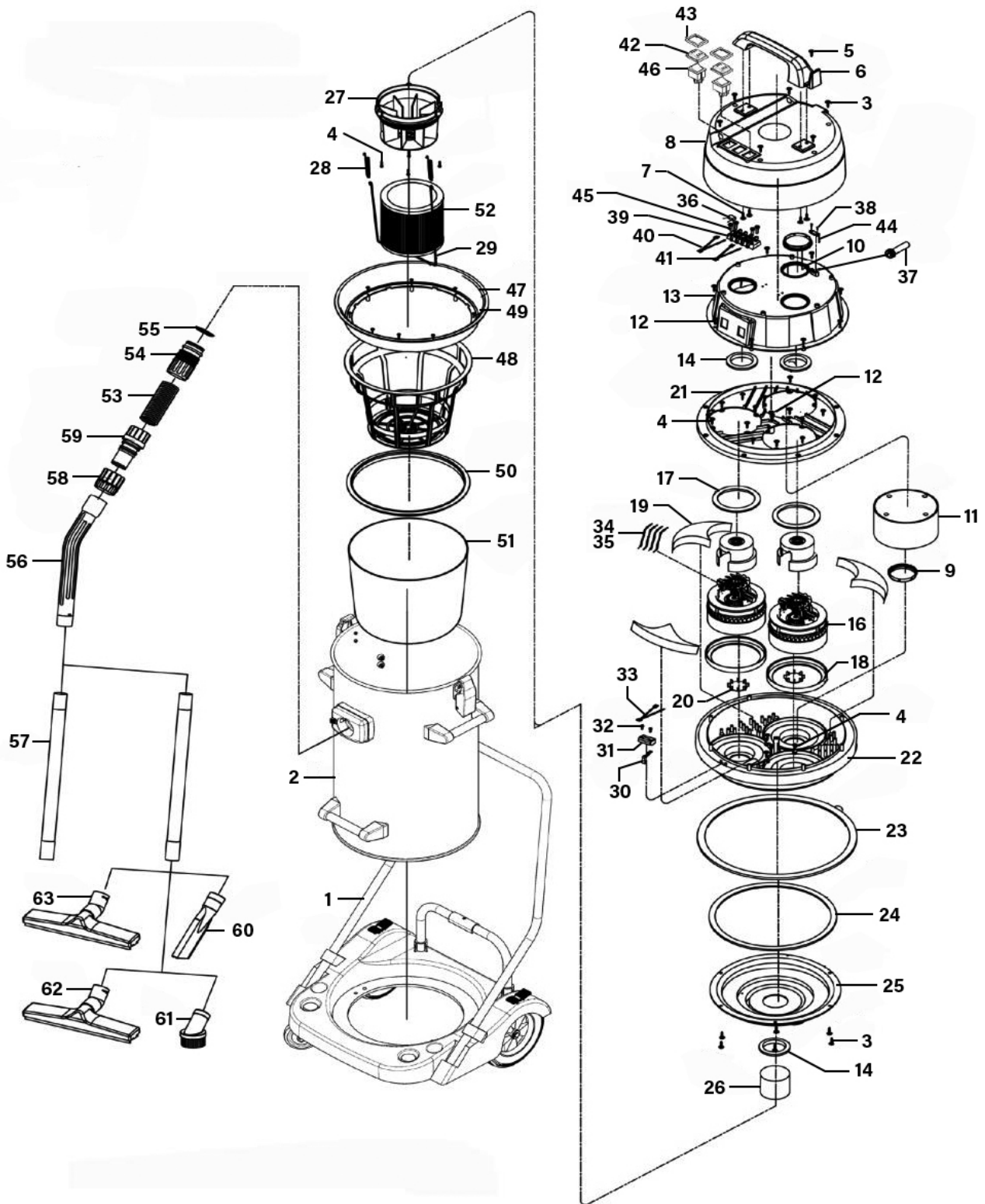




Parts Information:
**Vacuum Cleaner Industrial Wet & Dry 77L
Stainless Steel Drum with Swivel Emptying
2400WV
Model No: PC477**



NOTE: It is our policy to continually improve products and as such we reserve the right to alter data, specifications and component parts without prior notice. There may be alternative versions of this product, please contact us should you require this information.

IMPORTANT: No liability is accepted for incorrect use of product. Spare parts must be fitted by a competent person

WARRANTY: Guarantee is 12 months from purchase date, proof of which will be required for any claim.

Sealey Group, Kempson Way, Suffolk Business Park, Bury St Edmunds, Suffolk. IP32 7AR



01284 757500



01284 703534



sales@sealey.co.uk



www.sealey.co.uk



Parts Information:
**Vacuum Cleaner Industrial Wet & Dry 77L
 Stainless Steel Drum with Swivel Emptying
 2400WV
 Model No: PC477**

Item	Part No.	Description
1	PC477.01	Trolley Ass'y
2	PC477.02	Tank Ass'y
3	PC477.04-1	RD Head S/t Screw M5X15 Black
4	PC477.04-2	RD Head S/t Screw M4.8 X 20 Black
5	PC477.04-3	RD Head S/t Screw M5X63 Black
6	PC477.04-4	Handle
7	PC477.04-5	Screw
8	PC477.04-6	Top Housing
9	PC477.04-7	Blocker
10	PC477.04-8	Upper Blocker
11	PC477.04-9	Blanking Cap
12	PC477.04-10	RD Head S/t Screw M5X30 Black
13	PC477.04-11	Middle Cover
14	PC477.04-12	Gasket
16	PC477.03-22	Motor 1200W
17	PC477.04-15	Foam Gasket
18	PC477.04-16	Gasket
19	PC477.04-17	Foam Filter
20	PC477.04-18	Blanking Plate
21	PC477.04-19	Base
22	PC477.04-20	Motor Base
23	PC477.04-21	Gasket
24	PC477.04-22	Gasket
25	PC477.04-23	Bottom Base
26	PC477.04-25	Float
27	PC477.04-26	Float Frame
28	PC477.04-27	Spring
29	PC477.04-29	Hook
30	PC477.04-30	Plate
31	PC477.04-31	Plate
32	PC477.04-32	Screw (M3x8)
33	PC477.04-33	Wire

Item	Part No.	Description
34	PC477.05-11	Wire
35	PC477.05-12	Wire
36	PC477.05-13	Capacitor (0.1uf)
37	PC477.05-2	Cord Holder
38	PC477.05-4	Screw
39	PC477.05-5	Terminal Block
40	PC477.05-6	Wire
41	PC477.05-7	Wire
42	PC477.05-8	Transparent Cover
43	PC477.05-9	Transparent Cover Frame
44	PC455.03-27	Plate
45	PC455.03-44	Screw (M4x16)
46	PC455.03-48	Switch
47	PC477.03-1	Frame Holder
48	PC477.03-2	Frame Assembly
49	PC477.03-2A	Frame Only
50	PC477.03-3	Screw (M4x18)
51	PC477.CF	Cloth Filter Assembly
52	PC477.PF	Cartridge Filter
53	PC455.05-1	Hose 3m
54	PC455.05-2	Connector
55	PC455.05-3	Seal
56	PC455.05-4	Elbow Connector
57	PC455.05-5	Tube Extension (2Pcs)
58	PC455.05-6	Connector
59	PC455.05-7	Connector
60	PC455.05-8	Crevice Tool
61	PC455.05-9	Round Brush
62	PC477.07	Brush Nozzle Complete
63	PC477.08	Squeegee Nozzle Complete
--	PC477AK1	Front Mounted Squeegee (Not Shown)
--	PC477.04	Top Head Assembly (Not Shown)

NOTE: It is our policy to continually improve products and as such we reserve the right to alter data, specifications and component parts without prior notice. There may be alternative versions of this product, please contact us should you require this information.

IMPORTANT: No liability is accepted for incorrect use of product. Spare parts must be fitted by a competent person

WARRANTY: Guarantee is 12 months from purchase date, proof of which will be required for any claim.

Sealey Group, Kempson Way, Suffolk Business Park, Bury St Edmunds, Suffolk. IP32 7AR



01284 757500



01284 703534



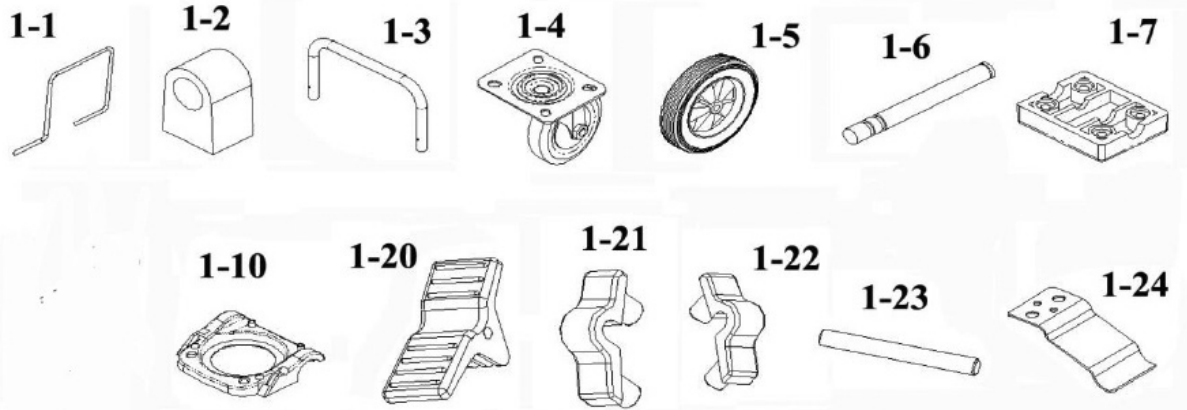
sales@sealey.co.uk



www.sealey.co.uk

Parts Information:
**Vacuum Cleaner Industrial Wet & Dry 77L
 Stainless Steel Drum with Swivel Emptying
 2400WV
 Model No: PC477**

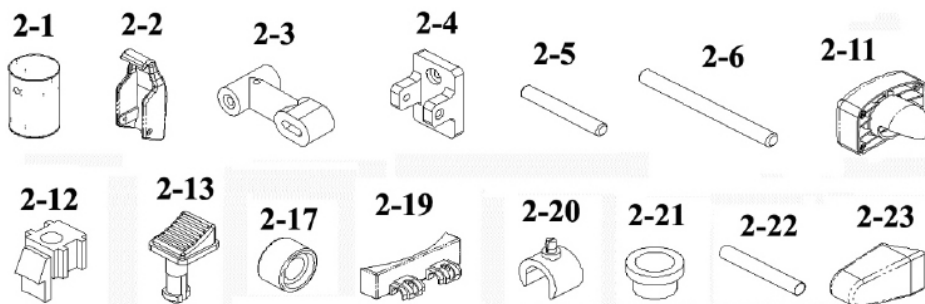
TROLLEY PARTS



Item	Part No.	Description
1.1	PC477.01-1	Handle
1.2	PC477.01-2	Holder
1.3	PC477.01-5	Support Handle
1.4	PC455.01-4	Wheel, Castor (78x9x24x101)
1.5	PC477.01-10	Fixed Wheel 240X45X12
1.6	PC477.01-11	Shaft
1.7	PC455.01-7	Plate

Item	Part No.	Description
1.1 0	PC477.01-17	Trolley Base
1.2 0	PC455.01-20	Pedal
1.21	PC455.01-21	Holder (Left)
1.22	PC455.01-22	Holder (Right)
1.23	PC455.01-23	Pin
1.24	PC477.01-23	Brake Plate

Tank Parts



Item	Part No.	Description
2.1	PC477.02	Tank Ass'y
2.2	PC455.02-2	Tank Clip
2.3	PC455.02-3	Holder
2.4	PC455.02-4	Base
2.5	PC455.02-5	Pin (Short)
2.6	PC455.02-6	Pin (Long)
2.11	PC455.02-11	Suction Coupler
2.12	PC455.02-12	Holder

Item	Part No.	Description
2.13	PC455.02-13	Button
2.17	PC455.02-17	Holder
2.19	PC455.02-19	Clip
2.2	PC455.02-20	Fixed Holder
2.21	PC455.02-21	Knob
2.22	PC455.02-22	Handle
2.23	PC455.02-23	Handle Holder

NOTE: It is our policy to continually improve products and as such we reserve the right to alter data, specifications and component parts without prior notice. There may be alternative versions of this product, please contact us should you require this information.

IMPORTANT: No liability is accepted for incorrect use of product. Spare parts must be fitted by a competent person

WARRANTY: Guarantee is 12 months from purchase date, proof of which will be required for any claim.