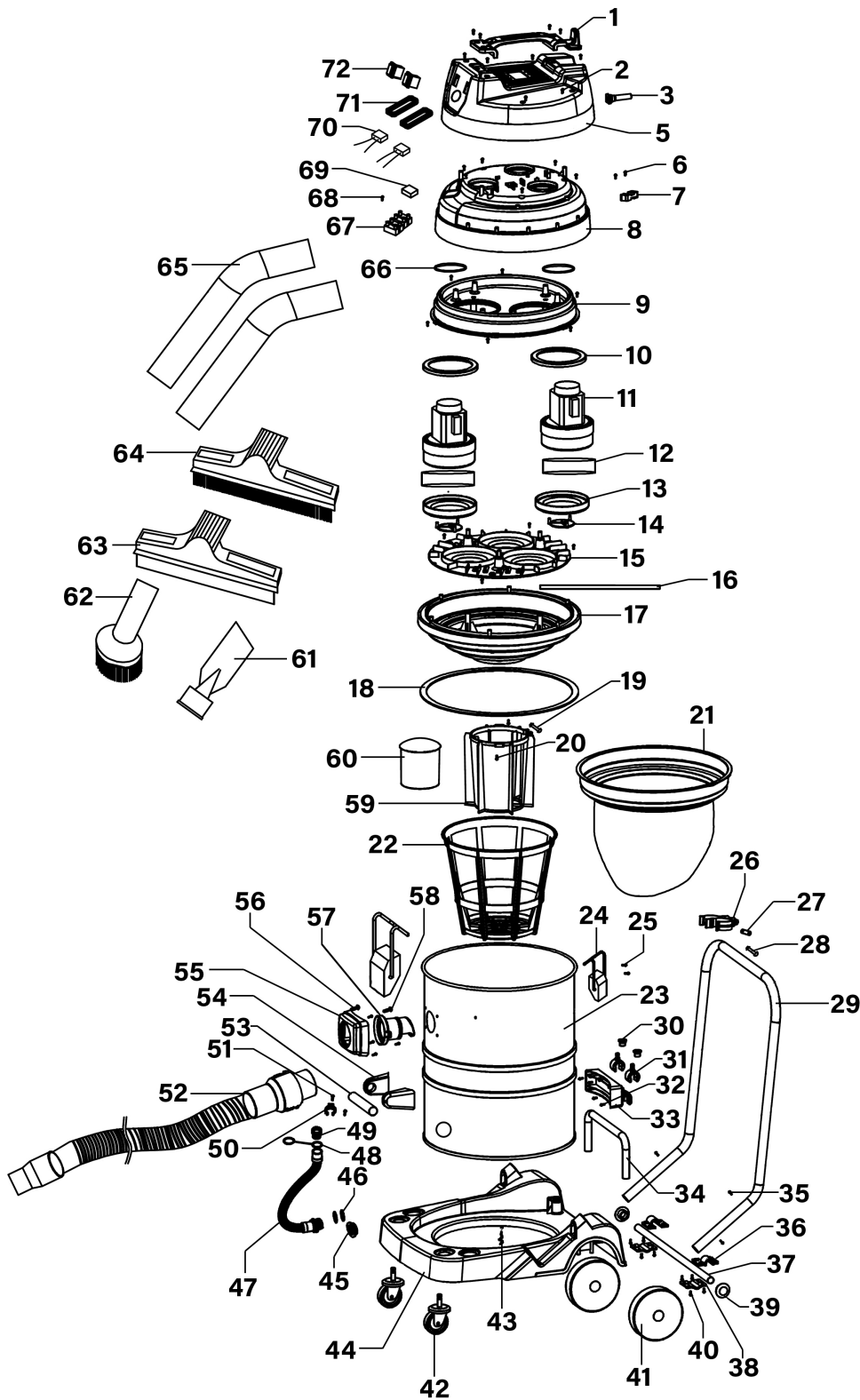




Parts Information:
Vacuum Cleaner Wet & Dry 60L Stainless
Drum 2400W/230V
Model No: PC460.V2



NOTE: It is our policy to continually improve products and as such we reserve the right to alter data, specifications and component parts without prior notice. There may be alternative versions of this product, please contact us should you require this information.

IMPORTANT: No liability is accepted for incorrect use of product. Spare parts must be fitted by a competent person

WARRANTY: Guarantee is 12 months from purchase date, proof of which will be required for any claim.

Sealey Group, Kempson Way, Suffolk Business Park, Bury St Edmunds, Suffolk. IP32 7AR



01284 757500



sales@sealey.co.uk



www.sealey.co.uk



Parts Information:
**Vacuum Cleaner Wet & Dry 60L Stainless
Drum 2400W/230V
Model No: PC460.V2**

Item	Part No.	Description
1	PC460-V2-01	Top Handle
2	DAS150TV3-42	Rd Head S/T Screw M4 X 20
3	PC460-V2-03	Cable Sleeve
5	PC460-V2-05	Top Cover
6	CP1801V3-13	Rd Head S/T Screw M3 X 20 Black
7	PC460-V2-07	Wire Grip
8	PC460-V2-08	Middle Cover
9	PC460-V2-09	Middle Cover Base
10	PC460-V2-10	Upper Gasket
11	PC460-V2-11	Motor
12	PC460-V2-12	Air Outlet Filter
13	PC460-V2-13	Lower Gasket
14	PC460-V2-14	Air Direction Plate
15	PC460-V2-15	Motor Base
16	PC460-V2-16	Gasket Seal
17	PC460-V2-17	Bottom Base
18	PC460-V2-18	Bottom Base Seal
19	MSP535.S	Machine Screw Pan Head Phillips M5 x 35mm
20	DAS150TV3-42	Rd Head S/T Screw M4 X 20
21	PC460CFV2	Cloth Filter
22	PC460-V2-22	Basket Frame
23	PC460-V2-23	Stainless Steel Tank
24	PC460-V2-24	Tank Clip
25	PC460-V2-25	Rivet
26	PC460-V2-26	Buckle
27	PC460-V2-27	Support Pin
28	PC460-V2-28	Screw M4 x 35
29	PC460-V2-29	Trolley Handle
30	PC460-V2-30	Location Button
31	PC460-V2-31	Turnover Board
32	DAS150TV3-42	Rd Head S/T Screw M4 X 20
33	PC460-V2-33	Turnover Support Shelf
34	PC460-V2-34	Support Handle
35	PC460-V2-35	Rivet
36	PC460-V2-36	Axle Support (Upper)
37	PC460-V2-37	Wheel Axle

Item	Part No.	Description
38	PC460-V2-38	Axle Support (Lower)
39	PC460-V2-39	Wheel Axle Retainer
40	DAS150TV3-42	Rd Head S/T Screw M4 X 20
41	PC460-V2-41	Fixed Wheel
42	PC460-V2-42	Castor Wheel
43	PC460-V2-43	Chain (Small)
44	PC460-V2-44	Trolley Base
45	PC460-V2-45	Drainage Nut
46	PC460-V2-46	Drainage Hose Seal
47	PC460-V2-47	Drainage Hose
48	PC460-V2-48	Drainage Hose Connection Ring
49	PC460-V2-49	Outlet Block
50	PC460-V2-50	Drainage Hose Clip
51	SG2303V2-37	Rd Head S/T Screw M4 X 10
52	PC460-V2-52	Vacuum Hose
53	PC460-V2-53	Handle Pin
54	PC460-V2-54	Handle Pin Holder
55	PC460-V2-55	Hose Inlet Base (Front)
56	PC300SDAV3103	Rd Head S/T Screw M4 X 16
57	PC460-V2-57	Hose Inlet Base (Rear)
58	SG115V2-36	Rd Head S/T Screw M4 X 12
59	PC460-V2-59	Float Basket
60	PC460-V2-60	Safety Valve
61	PC460-V2-61	Crevice Nozzle
62	PC460-V2-62	Round Brush
63	PC460-V2-63	Squeegee Nozzle
64	PC460-V2-64	Brush Nozzle
65	PC460-V2-65	Tube Extension
66	PC460-V2-66	Seal Ring (for Middle Cover Base)
67	PC460-V2-67	Terminal Block
68	PC460-V2-68	Screw
69	PC460-V2-69	Rubber Block
70	PC460-V2-70	Capacitor
71	PC460-V2-71	Inductance
72	PC460-V2-72	Power Switch
--	PC460CBV2	Cloth Bag (Not Shown)

NOTE: It is our policy to continually improve products and as such we reserve the right to alter data, specifications and component parts without prior notice. There may be alternative versions of this product, please contact us should you require this information.

IMPORTANT: No liability is accepted for incorrect use of product. Spare parts must be fitted by a competent person

WARRANTY: Guarantee is 12 months from purchase date, proof of which will be required for any claim.

Sealey Group, Kempson Way, Suffolk Business Park, Bury St Edmunds, Suffolk. IP32 7AR



01284 757500



sales@sealey.co.uk



www.sealey.co.uk