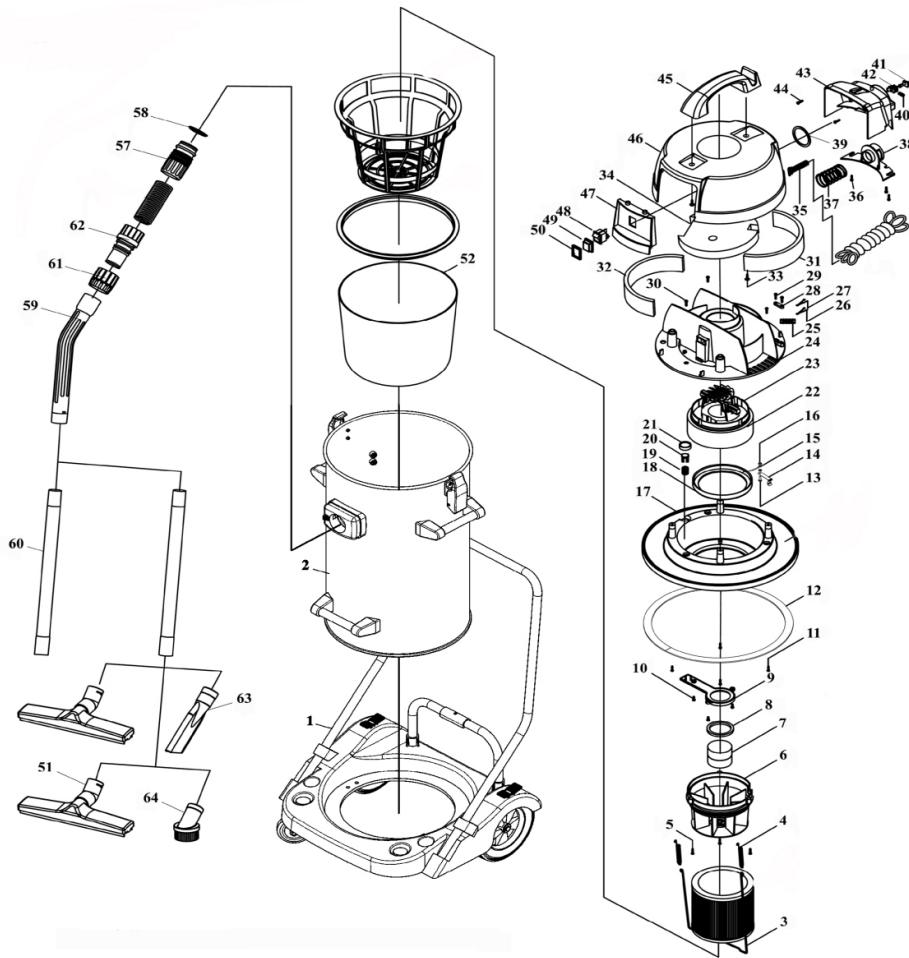
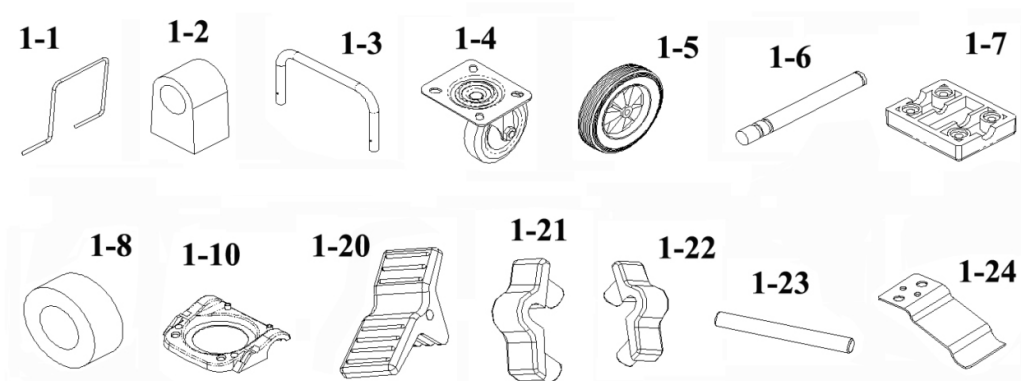




Parts Information:
**Industrial Wet & Dry Vacuum Cleaner 55ltr
Stainless Drum 120
Model No: PC455**



TROLLEY PARTS



NOTE: It is our policy to continually improve products and as such we reserve the right to alter data, specifications and component parts without prior notice.

IMPORTANT: No liability is accepted for incorrect use of product.

WARRANTY: Guarantee is 12 months from purchase date, proof of which will be required for any claim.

Sealey Group, Kempson Way, Suffolk Business Park, Bury St Edmunds, Suffolk. IP32 7AR



01284 757500



01284 703534



sales@sealey.co.uk

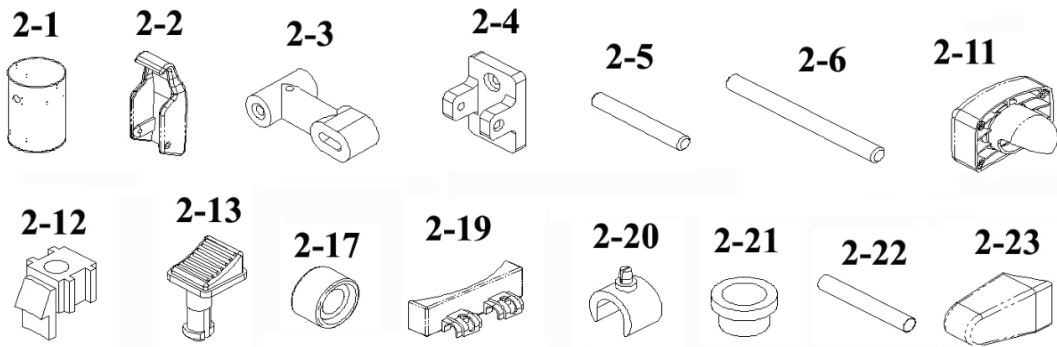


www.sealey.co.uk



Parts Information:
**Industrial Wet & Dry Vacuum Cleaner 55ltr
Stainless Drum 120
Model No: PC455**

TANK PARTS



NOTE: It is our policy to continually improve products and as such we reserve the right to alter data, specifications and component parts without prior notice.

IMPORTANT: No liability is accepted for incorrect use of product.

WARRANTY: Guarantee is 12 months from purchase date, proof of which will be required for any claim.

Sealey Group, Kempson Way, Suffolk Business Park, Bury St Edmunds, Suffolk. IP32 7AR



01284 757500



01284 703534



sales@sealey.co.uk



www.sealey.co.uk



Parts Information:
**Industrial Wet & Dry Vacuum Cleaner 55ltr
Stainless Drum 120
Model No: PC455**

Item	Part No.	Description
1	PC455.01	Trolley ass'y
2	PC455.02	Tank ass'y
3	PC455.03-1	Hook
4	PC455.03-3	Hook
5	PC455.03-4	Screw
6	PC455.03-5	Frame
7	PC455.03-6	Float
8	PC455.03-7	Gasket
9	PC455.03-8	Holder
10	PC455.03-9	Screw (m4x10)
11	PC455.03-10	Screw (m4x18)
12	PC455.03-11	Seal
13	PC455.03-12	Screw
14	PC455.03-13	Plate
15	PC455.03-14	Wire
16	PC455.03-15	Nut
17	PC455.03-16	Motor base
18	PC455.03-17	Gasket
19	PC455.03-18	Spring
20	PC455.03-19	Clip
21	PC455.03-20	Plug
22	PC455.03-21	Sponge
23	PC455.03-22	"Motor (Internal 1100w) / Motor (Internal 1100w) "
24	PC455.03-23	Middle motor base
25	PC455.03-24	Terminal block
26	PC455.03-25	Wire "a"
27	PC455.03-26	Wire "b"
28	PC455.03-27	Plate
29	PC455.03-28	Screw (3.5x12) / Screw (3.5x12)
30	MSP520.S	Machine screw pan head phillips m5x20mm (single)

Item	Part No.	Description
31	PC455.03-30	Sponge "c"
32	PC455.03-31	Sponge "b"
33	PC455.03-32	Screw (1/4" x 15)
34	PC455.03-33	Sponge "a"
35	PC455.03-35	Cord holder
36	PC455.03-36	Screw (m4x16)
37	PC455.03-37	Spring
38	PC455.03-38	Holder
39	PC455.03-39	Gasket
40	PC455.03-40	Spring
41	PC455.03-41	Button
42	PC455.03-42	Holder
43	PC455.03-43	Holder
44	PC455.03-44	Screw (m4x16)
45	PC455.03-45	Handle
46	PC455.03-46	Top cover
47	PC455.03-47	Front cover
48	PC455.03-48	Switch
49	PC455.03-49	Transparent cover
50	PC455.03-50	Transparent cover
51	PC477.07	Brush nozzle complete
52	PC455.CF	Cloth filter for pc455
--	PC455.PF	Cartridge filter for pc455 (NOT SHOWN)
--	PC455.05-1	Hose 3m (NOT SHOWN)
57	PC455.05-2	Connector
58	PC455.05-3	Seal
59	PC455.05-4	Elbow connector
60	PC455.05-5	Tube extension (2pcs)
61	PC455.05-6	Connector
62	PC455.05-7	Connector
63	PC455.05-8	Crevice tool
64	PC455.05-9	Round brush
--	PC455.03-11	Seal (NOT SHOWN)

NOTE: It is our policy to continually improve products and as such we reserve the right to alter data, specifications and component parts without prior notice.

IMPORTANT: No liability is accepted for incorrect use of product.

WARRANTY: Guarantee is 12 months from purchase date, proof of which will be required for any claim.

Sealey Group, Kempson Way, Suffolk Business Park, Bury St Edmunds, Suffolk. IP32 7AR



01284 757500



01284 703534



sales@sealey.co.uk



www.sealey.co.uk



Parts Information:
**Industrial Wet & Dry Vacuum Cleaner 55ltr
Stainless Drum 120
Model No: PC455**

Item	Part No.	Description
1.1	PC455.01-1	Handle
1.2	PC455.01-2	Holder
1.3	PC455.01-3	Support handle
1.4	PC455.01-4	Wheel, castor (78x9x24x101)
1.5	PC455.01-5	Fixed wheel
1.6	PC455.01-6	Shaft
1.7	PC455.01-7	Plate

Item	Part No.	Description
1.8	PC455.01-8	Holder
1.10	PC455.01-10	Trolley base
1.20	PC455.01-20	Pedal
1.21	PC455.01-21	Holder (left)
1.22	PC455.01-22	Holder (right)
1.23	PC455.01-23	Pin
1.24	PC455.01-24	Brake plate

Item	Part No.	Description
2.1	PC455.02-1	Tank
2.2	PC455.02-2	Tank clip
2.3	PC455.02-3	Holder
2.4	PC455.02-4	Base
2.5	PC455.02-5	Pin (short)
2.6	PC455.02-6	Pin (long)
2.11	PC455.02-11	Suction coupler
2.12	PC455.02-12	Holder

Item	Part No.	Description
2.13	PC455.02-13	Button
2.17	PC455.02-17	Holder
2.19	PC455.02-19	Clip
2.20	PC455.02-20	Fixed holder
2.21	PC455.02-21	Knob
2.22	PC455.02-22	Handle
2.23	PC455.02-23	Handle holder

NOTE: It is our policy to continually improve products and as such we reserve the right to alter data, specifications and component parts without prior notice.

IMPORTANT: No liability is accepted for incorrect use of product.

WARRANTY: Guarantee is 12 months from purchase date, proof of which will be required for any claim.

Sealey Group, Kempson Way, Suffolk Business Park, Bury St Edmunds, Suffolk. IP32 7AR



01284 757500



01284 703534



sales@sealey.co.uk



www.sealey.co.uk