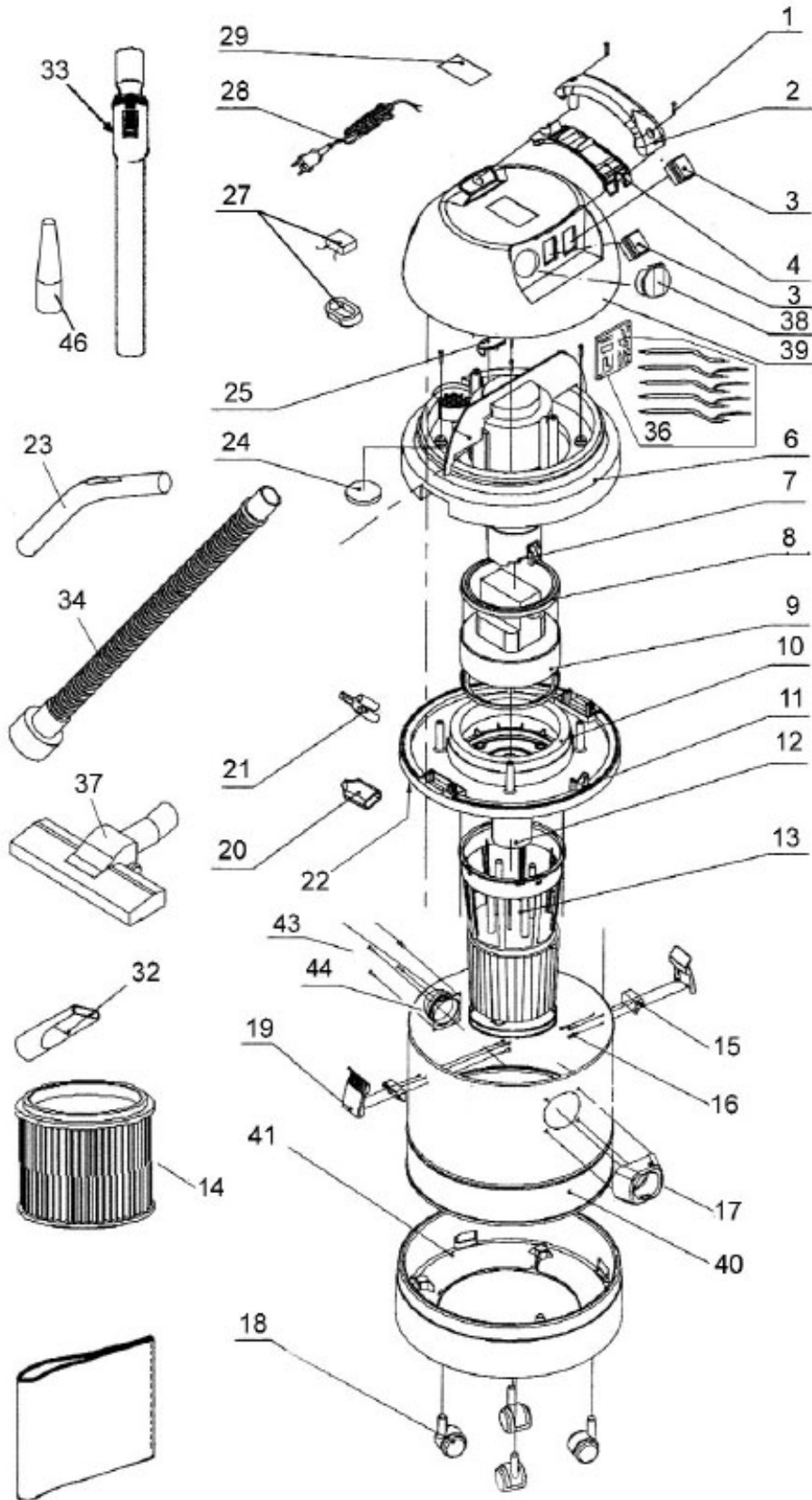


Parts Information:
Vacuum Cleaner Industrial 30ltr
1400W/230V Stainless Bin Auto Start
Model No: PC300SDAUTO.V2



NOTE: It is our policy to continually improve products and as such we reserve the right to alter data, specifications and component parts without prior notice. There may be alternative versions of this product, please contact us should you require this information.

IMPORTANT: No liability is accepted for incorrect use of product. Spare parts must be fitted by a competent person

WARRANTY: Guarantee is 12 months from purchase date, proof of which will be required for any claim.



Parts Information:
**Vacuum Cleaner Industrial 30ltr
 1400W/230V Stainless Bin Auto Start
 Model No: PC300SDAUTO.V2**

Item	Part No.	Description
1	PC200.01	Screw
2	PC200.02	Upper Handle
3	PC200.03	Switch, On/Off Rocker C/w Cover (20a/125v)
4	PC200.04	Lower Handle
6	PC200SDA.06	Middle Cover
7	PC200.07	Baffle
8	PC200.08	Sealed Ring
9	PC200SD.09	Motor (Internal 230v 1400w)
10	PC200.10	Foam Ring
11	PC200.11	Lower Cover
12	PC200.12	Waterproof Cup
13	PC200.13	Basket
14	PC200CF	Cartridge Filter For PC200 & PC200SD
15	PC200SDV3-24	Hook Base
16	PC200SD.16	Screws
17	PC200SD.17	Hose Base
18	PC200.18	Wheel, Swivel Castor, Single Bolt (D:37 W:27 H:44)
19	PC310.06	Bin Clip
20	PC200.20	Socket
21	PC200.21	Wire Plug
22	PC200SDA.22	Sealing Ring For Lower Cover
23	PC310.A05	Elbow Tool (Eir Flow Regulator)

Item	Part No.	Description
24	PC200.24	Filter
25	PC200.25	Clip
27	PC200.27	Capacitor 15uf 250x275v 2x0.5
28	MC3CX1.0	Mains Cable Blk, 3 Core, 1.0mm ²
29	PC200SD.29	Label
32	PC200.32	Narrow Nozzle
33	PC300SD.V3-53	Telescopic Stainless Tube
34	PC200SD.34	Soft Outlet Tube
36	PC200SDA.36	PCB Set
37	PC200SD.37	Combo Nozzle
38	PC200SD.38	Socket
39	PC200SD.39	Upper Cover
40	PC300SD.18	Tank 30ltr
41	PC200SD.20	Base
43	PC200SD.43	Screw
44	PC200SD.22	Hose Base
46	DFS/AK10	Vacuum/Dust-Free Tool Adaptor
--	PC200FF10	Foam Filter for PC200 & PC300 Series (Pack of 10) (Not Shown)
--	PC200.14	Foam Filter (Single) (Not Shown)
--	VACHOSE5M	Vacuum Hose 5m (Not Shown)
--	PC300PB5	Dust Collection Bag for PC300 Series (Pack of 5) (Not Shown)
--	PC200SD.45	Cable Sleeve (Not Shown)

NOTE: It is our policy to continually improve products and as such we reserve the right to alter data, specifications and component parts without prior notice. There may be alternative versions of this product, please contact us should you require this information.

IMPORTANT: No liability is accepted for incorrect use of product. Spare parts must be fitted by a competent person

WARRANTY: Guarantee is 12 months from purchase date, proof of which will be required for any claim.

Sealey Group, Kempson Way, Suffolk Business Park, Bury St Edmunds, Suffolk. IP32 7AR



01284 757500



01284 703534



sales@sealey.co.uk



www.sealey.co.uk