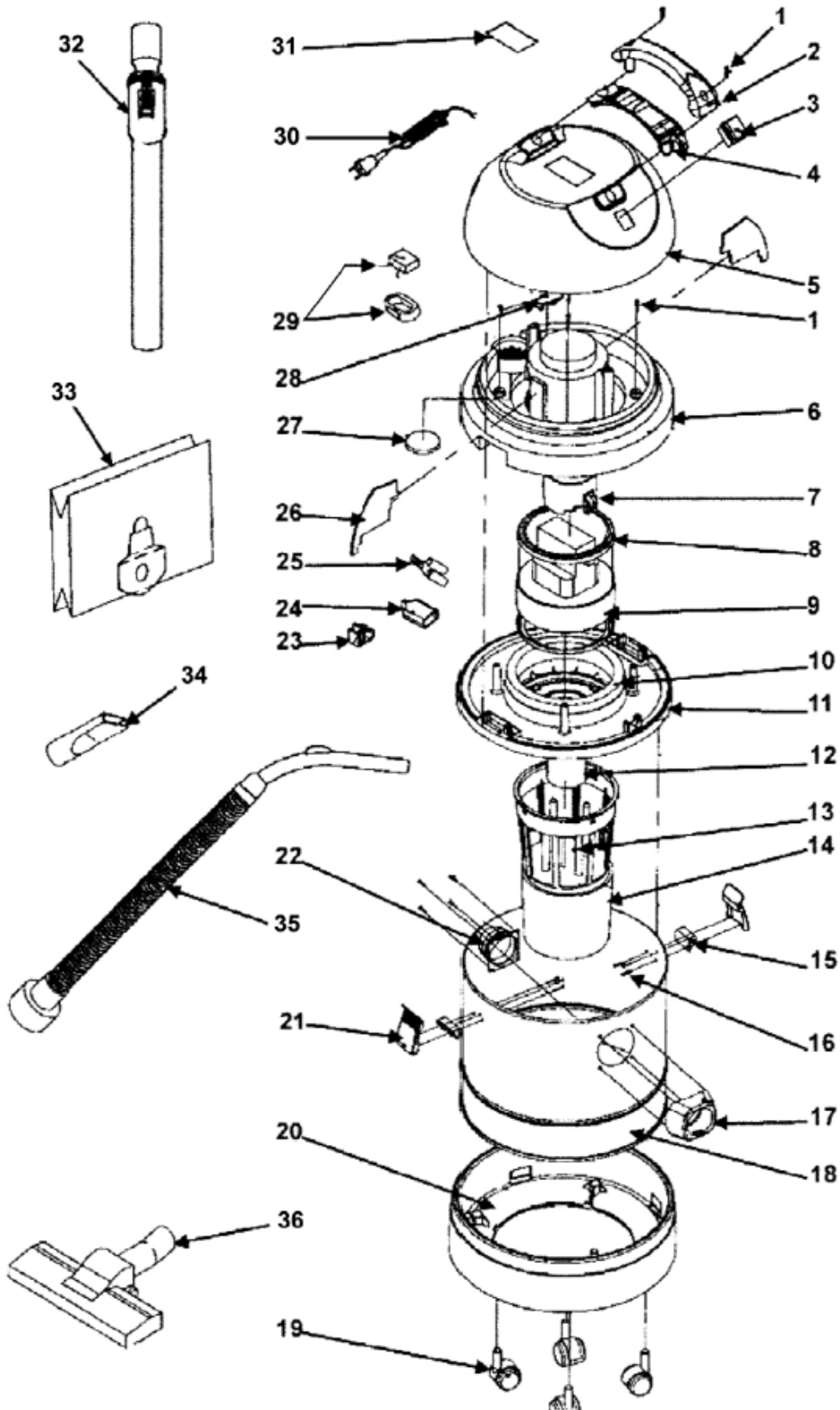




Parts Information:  
Vacuum Cleaner Industrial 30L  
1400W/230V Stainless Drum  
Model No: PC300SD



**NOTE:** It is our policy to continually improve products and as such we reserve the right to alter data, specifications and component parts without prior notice. There may be alternative versions of this product, please contact us should you require this information.

**IMPORTANT:** No liability is accepted for incorrect use of product. Spare parts must be fitted by a competent person

**WARRANTY:** Guarantee is 12 months from purchase date, proof of which will be required for any claim.

Sealey Group, Kempson Way, Suffolk Business Park, Bury St Edmunds, Suffolk. IP32 7AR



01284 757500



01284 703534



sales@sealey.co.uk



www.sealey.co.uk



Parts Information:  
**Vacuum Cleaner Industrial 30L**  
**1400W/230V Stainless Drum**  
**Model No: PC300SD**

| Item | Part No.      | Description  |
|------|---------------|--|
| 1    | PC200.01      | Screw  |
| 2    | PC200.02      | Upper Handle                                       |
| 3    | PC200.03      | Switch, On/Off Rocker C/w Cover (20a/125v)         |
| 4    | PC200.04      | Lower Handle                                       |
| 5    | PC200.05      | Upper Cover  |
| 6    | PC200.06      | Middle Cover                                       |
| 7    | PC200.07      | Baffle   |
| 8    | PC200.08      | Sealed Ring  |
| 9    | PC200.09      | Motor (Internal 230v 1250w)                        |
| 10   | PC200.10      | Foam Ring  |
| 11   | PC200.11      | Lower Cover  |
| 12   | PC200.12      | Waterproof Cup                                     |
| 13   | PC200.13      | Basket   |
| 14   | PC200.14      | Foam Filter (Single)                               |
| 15   | PC200SD.V3-24 | Hook Base  |
| 16   | PC200SD.16    | Screws   |
| 17   | PC200SD.17    | Hose Base  |
| 18   | PC300SD.18    | Tank 30ltr   |
| 19   | PC200.18      | Wheel, Swivel Castor, Single Bolt (D:37 W:27 H:44) |
| 20   | PC200SD.20    | Base   |

| Item | Part No.      | Description   |
|------|---------------|---|
| 21   | PC310.06      | Bin Clip  |
| 22   | PC200SD.22    | Hose Base   |
| 23   | PC200.22      | Wire Slot   |
| 24   | PC200.20      | Socket  |
| 25   | PC200.21      | Wire Plug   |
| 26   | PC200.23      | Board   |
| 27   | PC200.24      | Filter  |
| 28   | PC200.25      | Clip  |
| 29   | PC200.27      | Capacitor 15uf 250x275v 2x0.5                               |
| 30   | MC3CX1.0      | Mains Cable Blk, 3 Core, 1.0mm <sup>2</sup>                 |
| 31   | PC200SD.32    | Label   |
| 32   | PC300SD.V3-53 | Telescopic Stainless Tube                                   |
| 33   | PC300PB5      | Dust Collection Bag for PC300 Series Pack of 5              |
| 34   | PC200.32      | Narrow Nozzle   |
| 35   | PC200SD.36    | Inlet Suction Hose W/Adjustable Flow Switch                 |
| 36   | PC200SD.37    | Combo Nozzle  |
| --   | PC200CF       | Cartridge filter for pc200 & pc200sd (Not Shown)            |
| --   | VACHOSE5M     | Vacuum Hose 5m (Not Shown)                                  |
| --   | PC200FF10     | Foam Filter for PC200 & PC300 Series Pack of 10 (Not Shown) |

**NOTE:** It is our policy to continually improve products and as such we reserve the right to alter data, specifications and component parts without prior notice. There may be alternative versions of this product, please contact us should you require this information.

**IMPORTANT:** No liability is accepted for incorrect use of product. Spare parts must be fitted by a competent person

**WARRANTY:** Guarantee is 12 months from purchase date, proof of which will be required for any claim.

**Sealey Group**, Kempson Way, Suffolk Business Park, Bury St Edmunds, Suffolk. IP32 7AR



01284 757500



01284 703534



sales@sealey.co.uk



www.sealey.co.uk