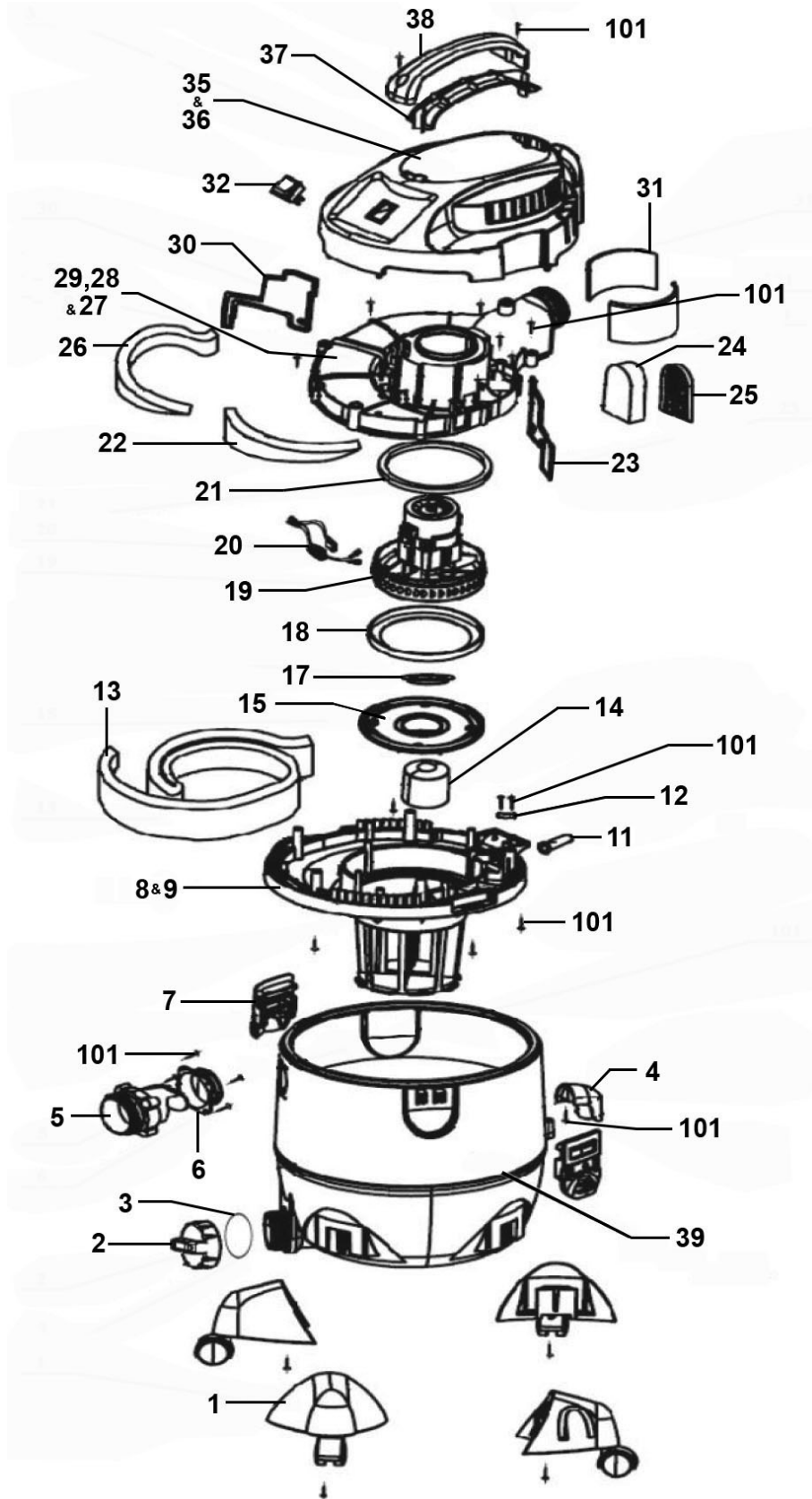




Parts Information:
Vacuum Cleaner Wet & Dry 30L
1400W/230V
Model No: PC300



NOTE: It is our policy to continually improve products and as such we reserve the right to alter data, specifications and component parts without prior notice. There may be alternative versions of this product, please contact us should you require this information.

IMPORTANT: No liability is accepted for incorrect use of product. Spare parts must be fitted by a competent person

WARRANTY: Guarantee is 12 months from purchase date, proof of which will be required for any claim.

Sealey Group, Kempson Way, Suffolk Business Park, Bury St Edmunds, Suffolk. IP32 7AR



01284 757500



01284 703534



sales@sealey.co.uk



www.sealey.co.uk

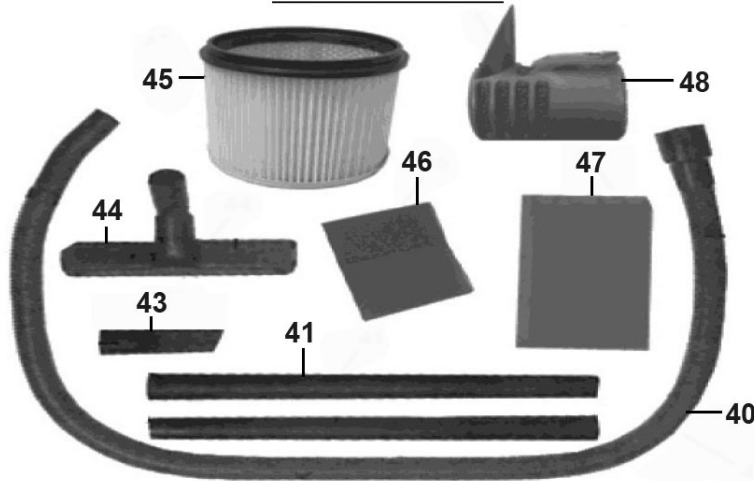


Parts Information:
Vacuum Cleaner Wet & Dry 30L
1400W/230V
Model No: PC300

Item	Part No.	Description
1	PC300.01	Wheel, Swivel Castor (W/Bracket)(D:40 W:36 H:148)
2	PC300.02	Waterspout Cover
3	PC300.03	Drain Inlet Seal
4	PC300.04	Cord Hook
5	PC300.05	Hose Inlet
6	PC300.06	Hose Inlet Base
7	PC300SD.V3-12	Bin Clip
8	PC300.08	Lower Cover
9	PC300.09	Foam Ring (Two Needed Per Machine)
11	PC300SD.V3-41	Cable Sleeve
12	PC300.12	Cord Clamp
13	PC300.13	Silencer Foam
14	PC300SD.V3-16	Float
15	PC300SD.V3-17	Tray
16	PC300.16	Seal Ring
17	PC300SD.V3-18	Plastic Fence
18	PC300SD.V3-19	Seal Ring
19	PC300SDAV3.20	Motor (Internal 230v 1400w)
20	PC300SD.V3-21	Capacitor & Inductance 250/275v 40cm
21	PC300SD.V3-22	Seal Ring

Item	Part No.	Description
22	PC300SD.V3-23	Silencer Foam(31cm)
23	PC300SD.V3-24	Air Block Board
24	PC300SD.V3-39	Foam Filter
25	PC300SD.V3-38	Filter Cover
26	PC300SD.V3-25	Silencer Foam(42cm)
27	PC300.27	Air Outlet
28	PC300SD.V3-27	Damping Bar
29	PC300SD.V3-28	Seal
30	PC300SD.V3-29	Air Block Board
31	PC300.31	Silencer Foam
32	PC460.09	Switch, On/Off Rocker (Red) C/w Cover 12a/250v
33	PC300SD.V3-33	Upper Cover
34	PC300SD.V3-34	Silencer Foam
35	PC300.35	Name Plate
36	PC300.36	Label
37	PC300.37	Lower Handle
38	PC300.38	Upper Handle
39	PC300.39	Tank
101	SG101.V2-27	Rd Head S/T Screw M3.8 X 14

ACCESSORIES



Item	Part No.	Description
40	PC300.A01	Hose 1.5m
41	PC300.A02	Plastic Tube (2Pcs)
43	PC300SD.V3-54	Crevice Tool
44	PC300.A04	Floor Nozzle
45	PC200CFL	Locking Cartridge Filter for PC200 & PC300 Series

Item	Part No.	Description
46	PC200FF10	Foam Filter for PC200 & PC300 Series Pack of 10
47	PC300PB5	Dust Collection Bag for PC300 Series Pack of 5
48	PC300SD.V3-57	Noise Diffuser Muffler
--	PC200.14	Foam Filter (Single) (Not Shown)
--	PC200CFF	Cartridge Filter for Fine Dust for PC200 & PC300 Series (Not Shown)

NOTE: It is our policy to continually improve products and as such we reserve the right to alter data, specifications and component parts without prior notice. There may be alternative versions of this product, please contact us should you require this information.

IMPORTANT: No liability is accepted for incorrect use of product. Spare parts must be fitted by a competent person

WARRANTY: Guarantee is 12 months from purchase date, proof of which will be required for any claim.

Sealey Group, Kempson Way, Suffolk Business Park, Bury St Edmunds, Suffolk. IP32 7AR



01284 757500



01284 703534



sales@sealey.co.uk



www.sealey.co.uk