

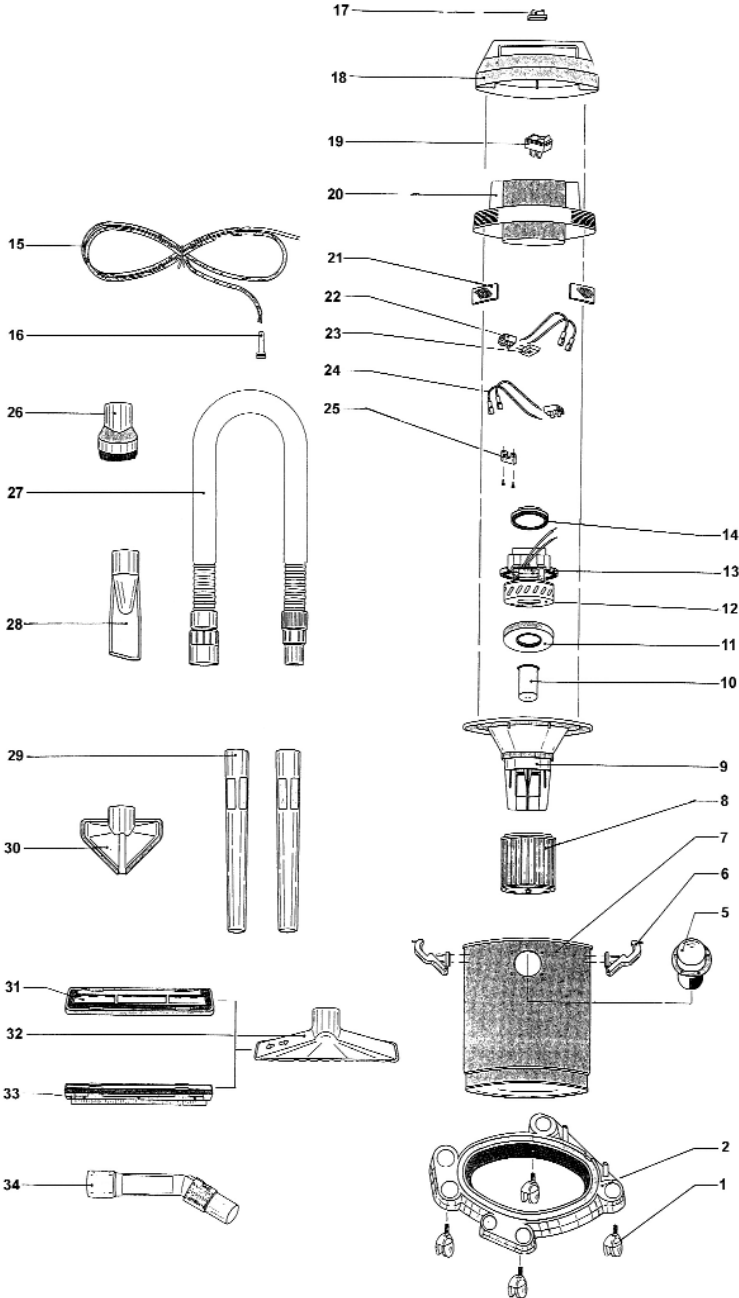


PARTS LIST FOR:

WET & DRY VACUUM CLEANERS

Models: **PC220 & PC230**

Issue No: 1
Date: 050104



Item	Part No.	Description
1	186/30085BOX	Castor Wheel
2	186/01002BOA	Base
5	186/50079BOA	Hose Inlet
6	186/01016BOU	Bin Clip
7	186/10039BKM	Bin, Stainless Steel, 20 litre (PC220)
7	186/10038BGM	Bin, Stainless Steel, 30 litre (PC230)
8	VAC/92/DL	Cartridge Filter
9	186/50063BOU	Motor Cover, Lower c/w Float Cage
10	186/50077BOV	Float
11	186/70032BON	Motor Gasket, Lower
12	186/20007BOX	Motor
13	186/70033BON	Motor Gasket, Middle
14	186/70030BON	Motor Gasket, Upper
16	186/50036ZON	Cable Sleeve
17	186/70018BON	Cover, Switch
18	186/50186B6U	Motor Cover, Upper
19	186/80037BOX	Switch
20	186/50200BOA	Motor Cover, Middle
21	186/83102B6N	Filter Grille
22	186/80030ZOI	Cable Block
23	186/80021BOX	Noise Filter
24	186/80097BOV	Cable Connection
25	186/50078ZOX	Cable Grip
26	186/50081BOA	Curtain Brush
27	186/01317BON	Hose Complete, 1.5m x 45mm
28	186/50080BON	Crevice Tool
29	186/50091BON	Extension Tube
30	186/50089BOA	Triangular Nozzle
31	186/50085BON	Brush Adaptor
32	186/60277BON	Floor Nozzle
33	186/60278BON	Liquids Adaptor
34	186/50093BOA	Elbow

Spare Dust Collection Bags 186/83140BOK Packet of 5
 Bin/Lid Gasket 186/70017B5N
 Foam Filter 186/83035BHB



Sole UK Distributor,
 Sealey Group,
 Bury St. Edmunds, Suffolk.

01284 757500
 01284 703534

sales@sealey.co.uk www.sealey.co.uk