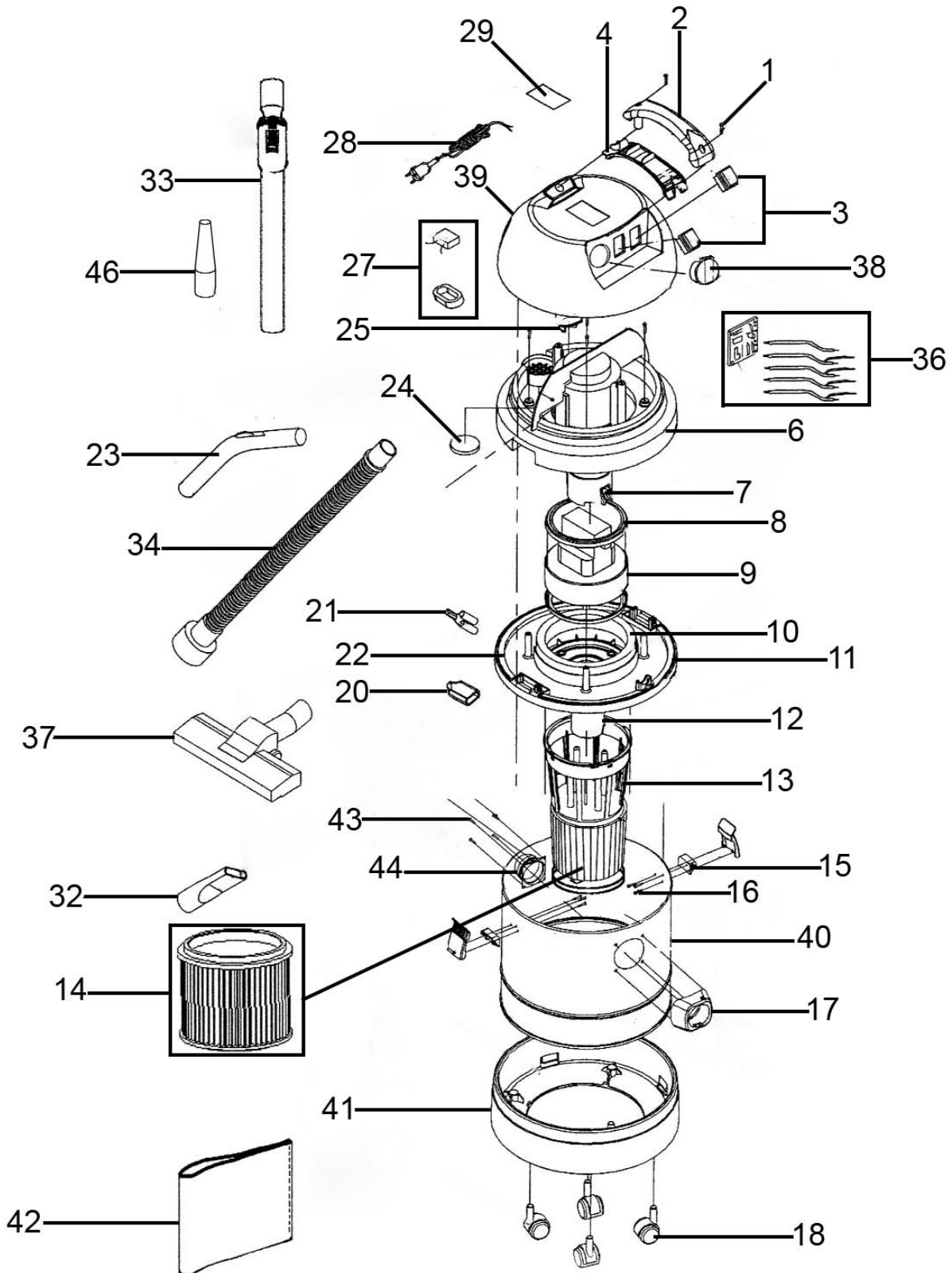




Parts Information:
Vacuum Cleaner Industrial 20ltr
1400W/230V Stainless Bin Auto Start
Model No: PC200SDAUTO.V2



NOTE: It is our policy to continually improve products and as such we reserve the right to alter data, specifications and component parts without prior notice. There may be alternative versions of this product, please contact us should you require this information.

IMPORTANT: No liability is accepted for incorrect use of product. Spare parts must be fitted by a competent person

WARRANTY: Guarantee is 12 months from purchase date, proof of which will be required for any claim.

Sealey Group, Kempson Way, Suffolk Business Park, Bury St Edmunds, Suffolk. IP32 7AR



01284 757500



01284 703534



sales@sealey.co.uk



www.sealey.co.uk



Parts Information:
**Vacuum Cleaner Industrial 20ltr
1400W/230V Stainless Bin Auto Start
Model No: PC200SDAUTO.V2**

Item	Part No.	Description
1	PC200.01	Screw
2	PC200.02	Upper Handle
3	PC200.03	switch, Power Rocker (c/w Cover)
4	PC200.04	Handle, Lower
6	PC200SDA.06	Cover, Middle
7	PC200.07	Baffle
8	PC200.08	Sealed Ring
9	PC200.09	Motor
10	PC200.10	Foam Ring
11	PC200.11	Cover, Lower
12	PC200.12	Waterproof Cup
13	PC200.13	Basket
14	PC200CF	Cartridge Filter
15	PC200SD.V3-24	Base, Hook
16	PC200SD.16	Screws
17	PC200SD.17	Base, Hose
18	PC200.18	Wheel, Swivel Castor
20	PC200.20	Socket
21	PC200.21	Wire plug
22	PC200SDA.22	Sealing Ring, Lower Cover
23	PC310.A05	Elbow (c/w Flow Regulator)
24	PC200.24	Filter

Item	Part No.	Description
25	PC200.25	Clip
27	PC200.27	Capacitor
28	MC3CX1.0	Mains Cable
29	PC200SD.29	Label
32	PC200.32	Nozzle, Narrow
33	PC300SD.V3-53	Stainless Tube, Telescopic
34	PC200SD.34	Outlet Tube
36	PC200SDA.36	PCB
37	PC200SD.37	Combo Nozzle
38	PC200SD.38	Socket
39	PC200SD.39	Cover, Upper
40	PC200SD.18	Tank
41	PC200SD.20	Base
42	PC200.14	Foam Filter
43	PC200SD.43	Screw
44	PC200SD.22	Base, Hose
46	DFS/AK10	Adaptor
--	PC310.06	Bin Clip (Not Shown)
--	PC200FF10	Foam Filter (Pack of 10)(Not Shown)
--	PC200SD.45	Cable Sleeve (Not Shown)
--	PC200PB5	Dust Collection Bag (Pack of 5)(Not Shown)
--	VACHOSE5M	Hose (Not Shown)

NOTE: It is our policy to continually improve products and as such we reserve the right to alter data, specifications and component parts without prior notice. There may be alternative versions of this product, please contact us should you require this information.

IMPORTANT: No liability is accepted for incorrect use of product. Spare parts must be fitted by a competent person

WARRANTY: Guarantee is 12 months from purchase date, proof of which will be required for any claim.

Sealey Group, Kempson Way, Suffolk Business Park, Bury St Edmunds, Suffolk. IP32 7AR



01284 757500



01284 703534



sales@sealey.co.uk



www.sealey.co.uk