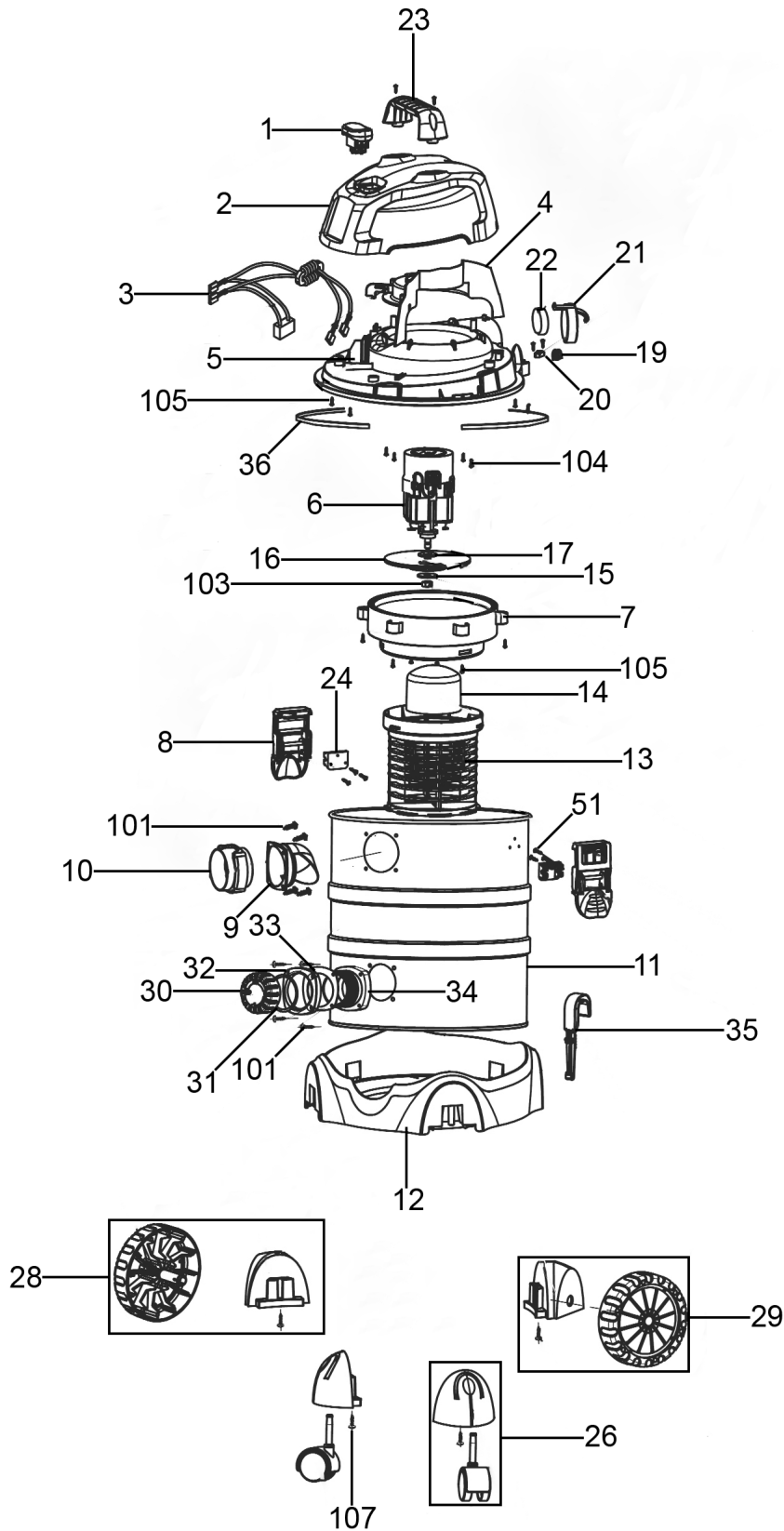




Parts Information:
Vacuum Cleaner Industrial Wet & Dry 20L
1250W/230V Stainless Drum
Model No: PC200SD.V3



NOTE: It is our policy to continually improve products and as such we reserve the right to alter data, specifications and component parts without prior notice. There may be alternative versions of this product, please contact us should you require this information.

IMPORTANT: No liability is accepted for incorrect use of product. Spare parts must be fitted by a competent person

WARRANTY: Guarantee is 12 months from purchase date, proof of which will be required for any claim.

Sealey Group, Kempson Way, Suffolk Business Park, Bury St Edmunds, Suffolk. IP32 7AR



01284 757500



01284 703534



sales@sealey.co.uk



www.sealey.co.uk



Parts Information:
**Vacuum Cleaner Industrial Wet & Dry 20L
1250W/230V Stainless Drum
Model No: PC200SD.V3**

Item	Part No.	Description
1	PC200SD.V3-01	Switch, Power Rocker (c/w Cover)
2	PC200SD.V3-02	Cover, Upper
3	PC200SD.V3-03	Inductance Set
4	PC200SD.V3-04	Air Outlet
5	PC200SD.V3-05	Cover, Lower
6	PC200SD.V3-06	Motor
7	PC200SD.V3-07	Tray
8	PC310.06	Bin Clip
9	PC200SD.V3-09	Base, Hose Inlet
10	PC200SD.V3-10	Hose Inlet
11	PC200SD.V3-11	Tank
12	PC200SD.V3-12	Base
13	PC200SD.V3-13	Basket
14	PC200SD.V3-14	Float
15	PC200SD.V3-15	Board
16	PC200SD.V3-16	Fan Set
17	PC200SD.V3-17	Lipped Washer
19	PC200SD.V3-19	Cord Sleeve
20	PC200SD.V3-20	Cord Clamp
21	PC200SD.V3-21	Cover, Filter

Item	Part No.	Description
22	PC200SD.V3-22	Foam Filter
23	PC200SD.V3-23	Handle
24	PC200SD.V3-24	Base, Hook
26	PC200SD.V3-26	Wheel, Swivel Castor
28	PC200SD.V3-28	Wheel Assembly, Left
29	PC200SD.V3-29	Wheel Assembly, Right
30	PC200SD.V3-30	Cover, Waterspout
31	PC200SD.V3-31	Drain Inlet
32	PC200SD.V3-32	Waterspout Seat
33	PC200SD.V3-33	Seal Ring
34	PC200SD.V3-34	Waterspout
35	PC200SD.V3-35	Cord Hook
36	PC200SD.V3-36	Foam Ring
51	PC300SD.V3-51	Rd Head S/T Screw M3.5 x 8mm
101	PC200SD.V3.101	Rd Head S/T Screw M3.9 x 14mm
103	NLN6.SB	Nyloc Nut M6, Black
104	PC200SD.V3.104	Rd Head S/T Screw Flat End M4 x 12mm
105	PC200SD.V3.105	Rd Head S/T Screw Flange Head M4 x 16mm
107	PC200SD.V3.107	Rd Head S/T Screw Flanged Head Flat End M4 x 12mm

NOTE: It is our policy to continually improve products and as such we reserve the right to alter data, specifications and component parts without prior notice. There may be alternative versions of this product, please contact us should you require this information.

IMPORTANT: No liability is accepted for incorrect use of product. Spare parts must be fitted by a competent person

WARRANTY: Guarantee is 12 months from purchase date, proof of which will be required for any claim.

Sealey Group, Kempson Way, Suffolk Business Park, Bury St Edmunds, Suffolk. IP32 7AR



01284 757500



01284 703534

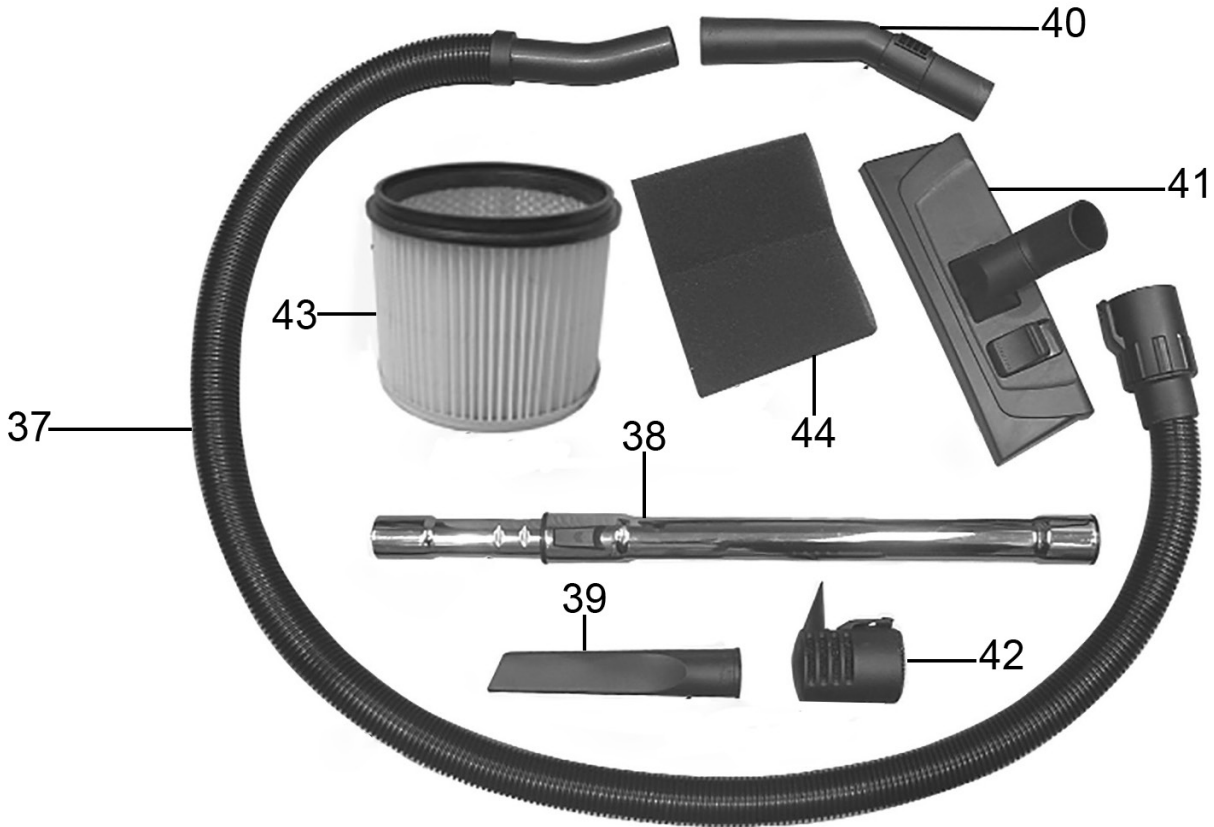


sales@sealey.co.uk



www.sealey.co.uk

ACCESSORIES



Item	Part No.	Description
37	PC200SD.V3-37	Hose
38	PC300SD.V3-53	Stainless Tube, Telescopic
39	PC300SD.V3-54	Crevice Tool
40	PC310.A05	Elbow Tool
41	PC300SD.V3-56	Combo Brush
42	PC200SD.V3-42	Muffler, Noise Diffuser

Item	Part No.	Description
43	PC200CFL	Locking Cartridge Filter
44	PC200.14	Foam Filter
--	PC200CFF	Cartridge Filter, Fine Dust (Not Shown)
--	PC200FF10	Foam Filter (Pack of 10)(Not Shown)
--	PC200PB5	Dust Collection Bag (Pack of 5)(Not Shown)

NOTE: It is our policy to continually improve products and as such we reserve the right to alter data, specifications and component parts without prior notice. There may be alternative versions of this product, please contact us should you require this information.

IMPORTANT: No liability is accepted for incorrect use of product. Spare parts must be fitted by a competent person

WARRANTY: Guarantee is 12 months from purchase date, proof of which will be required for any claim.