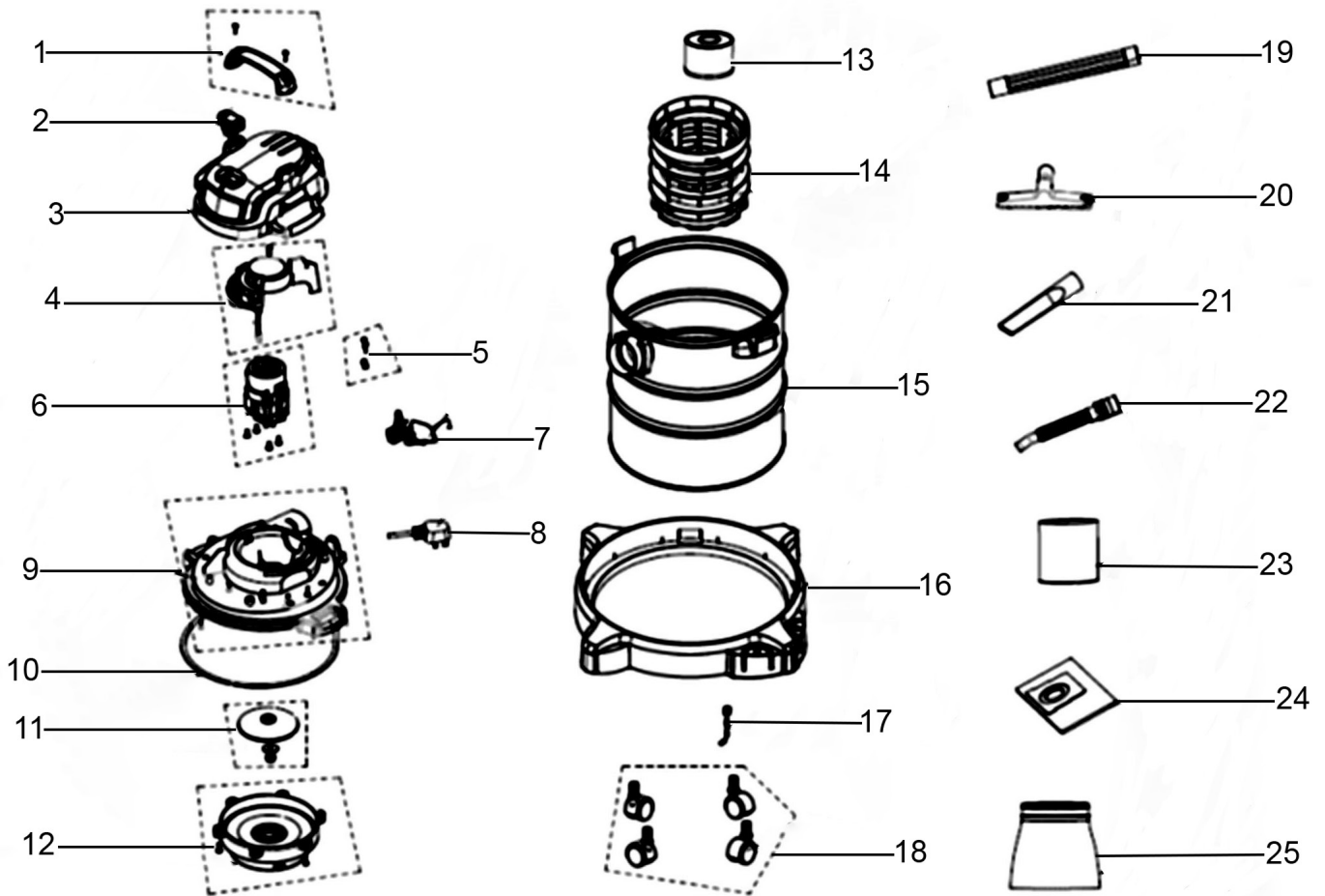


Parts Information:
Vacuum Cleaner Wet & Dry 20ltr 1250W
Stainless Drum
Model No: PC195SD



Item	Part No.	Description
1	PC195SD.01	Handle, Top
2	PC200SD.V3-01	Switch, Power Rocker
3	PC195SD.03	Cover, Upper
4	PC195SD.04	Connection, Blower
5	PC200SD.V3-20	Cord Clamp
6	PC195SD.06	Motor
7	PC195SD.07	Inductance
8	PC195SD.08	Cable (c/w Plug)
9	PC195SD.09	Cover, Lower
10	PC195SD.10	Seal, Lower Cover
11	PC195SD.11	Impeller
12	PC195SD.12	Water Tray
13	PC195SD.13	Floating Cup
14	PC195SD.14	Basket, Filter

Item	Part No.	Description
15	PC195SD.15	Tank
16	PC195SD.16	Base
17	PC195SD.17	Chain
18	PC195SD.18	Wheel, Swivel Castor
19	PC200.V3-31	Extension Tubes (Set of 3)
20	PC200.V3-33	Floor Brush
21	PC300SD.V3-54	Crevice Tool
22	PC200SD.V3-37	Hose
23	PC200FF10	Foam Filter
24	PC200PB5	Dust Collection Bag (Pack of 5)
25	PC200CF	Cartridge Filter
--	PC200.14	Foam Filter (Not Shown)
--	VAC/02	Cloth Filter (Not Shown)

NOTE: It is our policy to continually improve products and as such we reserve the right to alter data, specifications and component parts without prior notice. There may be alternative versions of this product, please contact us should you require this information.

IMPORTANT: No liability is accepted for incorrect use of product. Spare parts must be fitted by a competent person

WARRANTY: Guarantee is 12 months from purchase date, proof of which will be required for any claim.