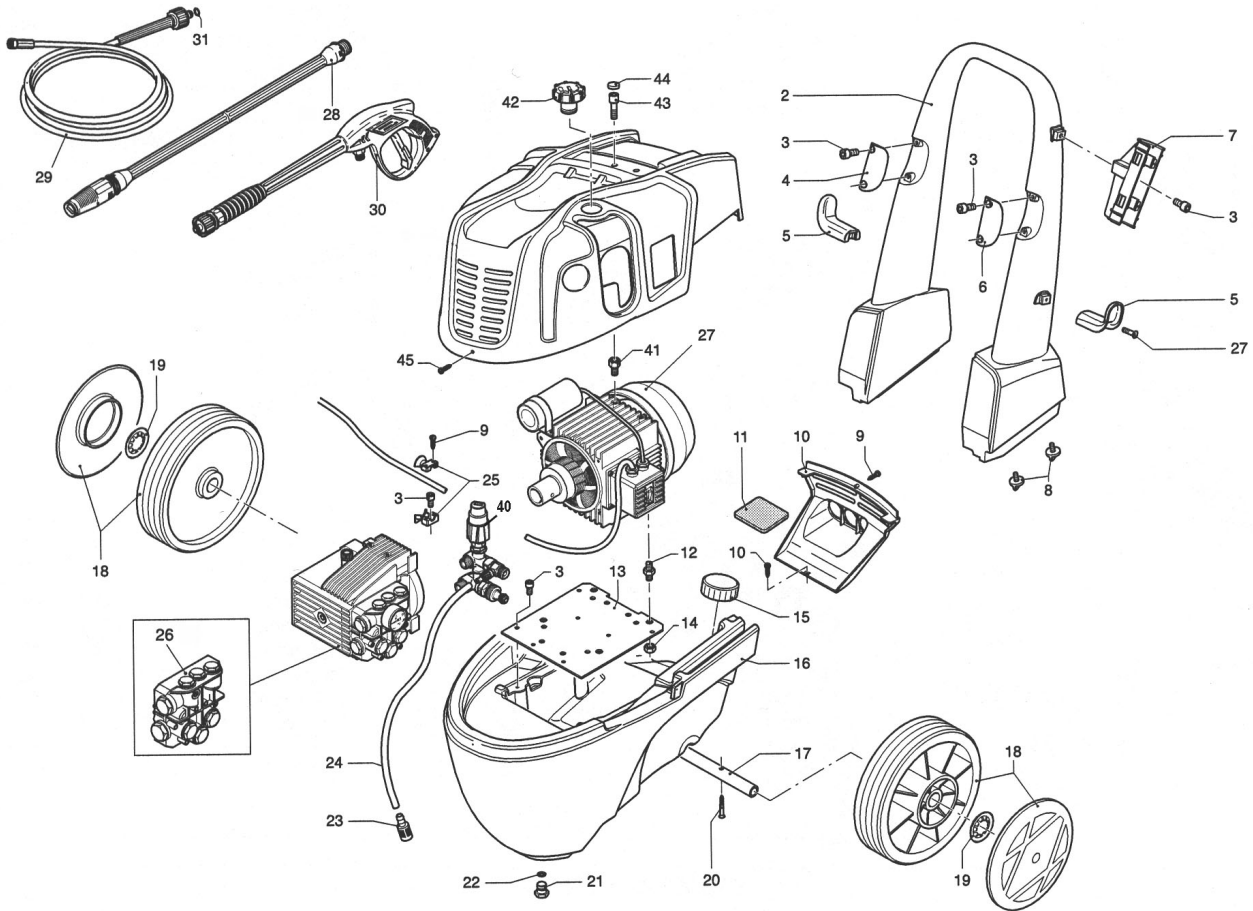


Parts Information:
**Pressure Washer 1850psi with Trolley &
 TSS 11ltr/min 230V
 Model No: PC1853.V2**



Item	Part No.	Description
2	181.2360020	Handle
3	SCB510.SB	Socket Head Cap Screw m5x10 Black
4	181.2360300	SX Handle Plug
5	181.2360090	Hook
6	181.2360170	DX Handle Plug
7	181.2360100	Support
8	181.2360270	Handle Knob
9	181.2000110	Screw
10	181.2360040	Rear Casing
11	181.2360370	Gasket
12	181.2360240	Stud Bolt
13	181.2360050	Plate
14	SN8.S	Steel Nut M8 Zinc Din934 (Single)
15	181.91680930	Tank Plug
16	181.2360010	Trolley Base
17	181.2360070	Trolley Axle
18	181.1201290	Wheel And Cover
19	181.380620	Washer

Item	Part No.	Description
20	181.1470220	Screw
21	181/1682420	Plug
22	BS107	O-Ring 5.23x2.62
23	181.2000230	Detergent Suction Filter
24	181.1270960	Detergent Hose
25	181.2360110	Cable Clip
26	181.1269267	Pump Head Assembly
27	181.4476	Electric Motor (Internal)
28	181.40114	Head And Lance (Yellow Dot)
29	181.1271530	Hose(M22/14mm M-Gun End 12mm F) 8M Long
30	181.40925	Gun
31	181.2000570	O-Ring
40	181.9141	TSS Ass'y(PC1853.V2&PC2003.V2)
41	181.2360660	Stud Bolt
42	181.2500310	Knob
43	SCB812.S	Socket Cap Bolt Zinc m8x12
44	181/1270910	Cap
45	181/2100300	RD Head S/T Screw 4.8 x 16 Black

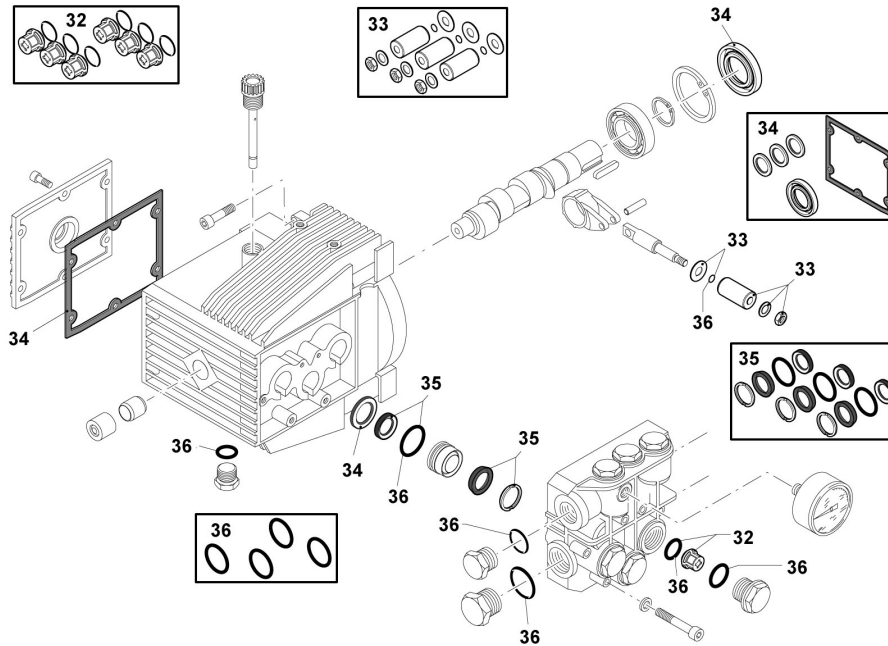
NOTE: It is our policy to continually improve products and as such we reserve the right to alter data, specifications and component parts without prior notice.

IMPORTANT: No liability is accepted for incorrect use of product.

WARRANTY: Guarantee is 12 months from purchase date, proof of which will be required for any claim.

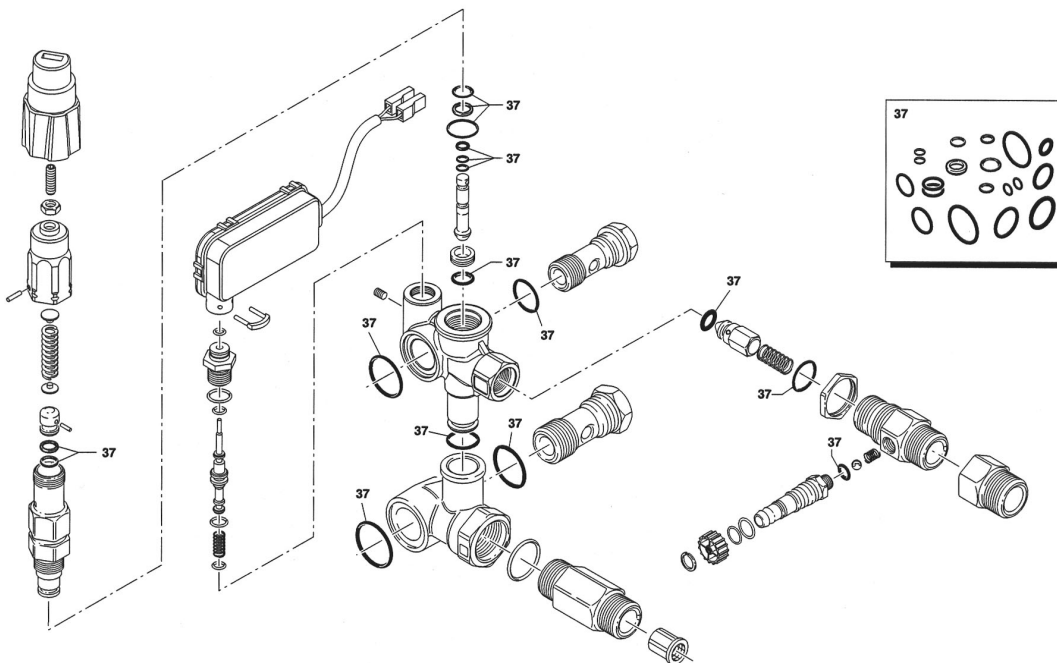


Parts Information:
**Pressure Washer 1850psi with Trolley &
 TSS 11ltr/min 230V
 Model No: PC1853.V2**



Item	Part No.	Description
32	181/KIT 1864	Valve Kit
33	181.2628	Piston Kit
34	181/KIT 1865	Oil Seal Kit

Item	Part No.	Description
35	181/KIT 1866	Seal Kit
36	181/KIT 2040	O-Ring Kit



Item	Part No.	Description
37	181.2812	O-Ring Kit
--	181/3232	Pressure Gauge 3500psi, 40mm od, Rear Fitting (NOT SHOWN)

Item	Part No.	Description
--	181/1260151	Distancer (NOT SHOWN)
--	181.2360620	Upper Casing (Blue) (NOT SHOWN)
--	HRK2003	Hose Reel Kit (NOT SHOWN)

NOTE: It is our policy to continually improve products and as such we reserve the right to alter data, specifications and component parts without prior notice.

IMPORTANT: No liability is accepted for incorrect use of product.

WARRANTY: Guarantee is 12 months from purchase date, proof of which will be required for any claim.

Sealey Group, Kempson Way, Suffolk Business Park, Bury St Edmunds, Suffolk. IP32 7AR



01284 757500



01284 703534



sales@sealey.co.uk



www.sealey.co.uk