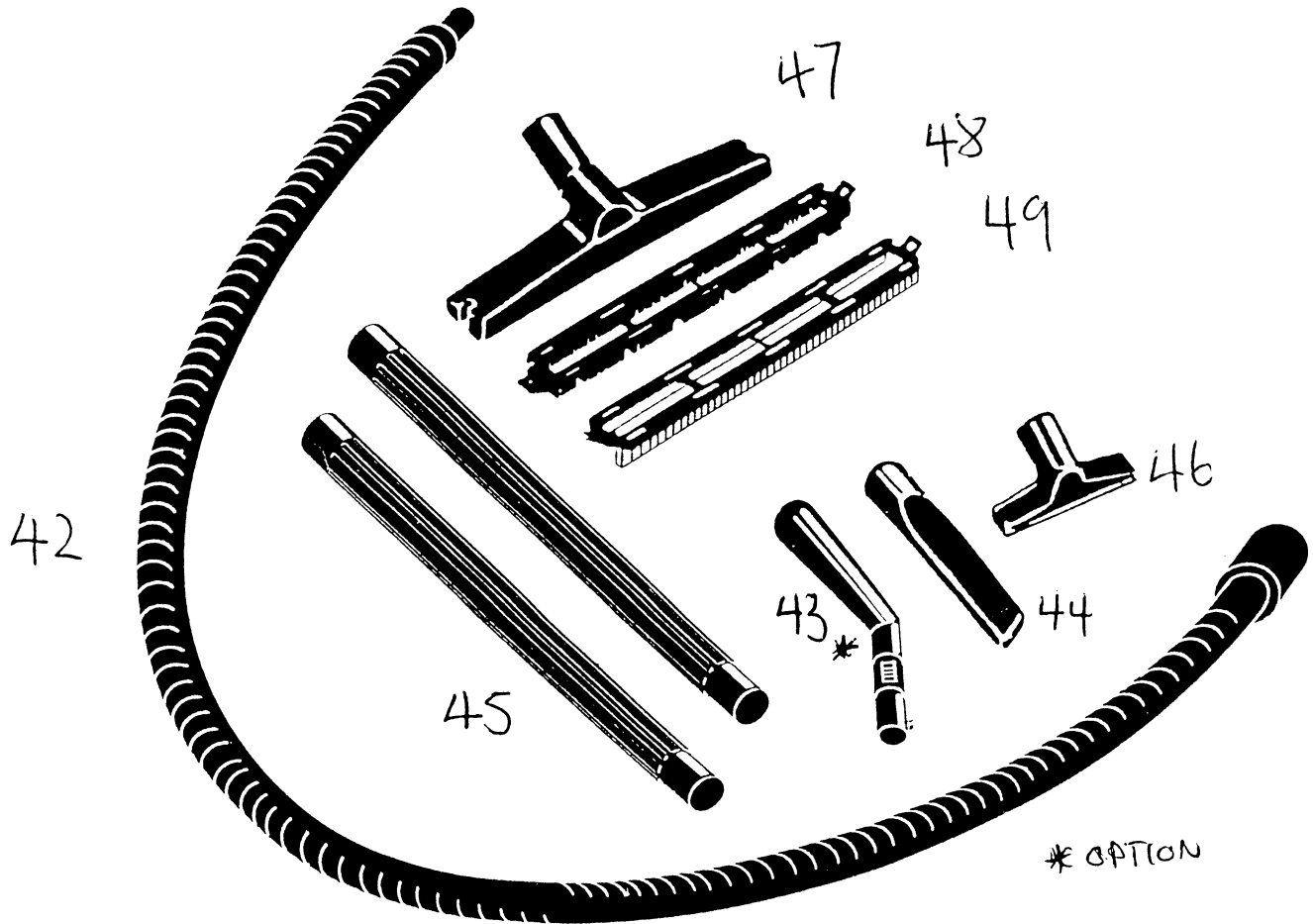
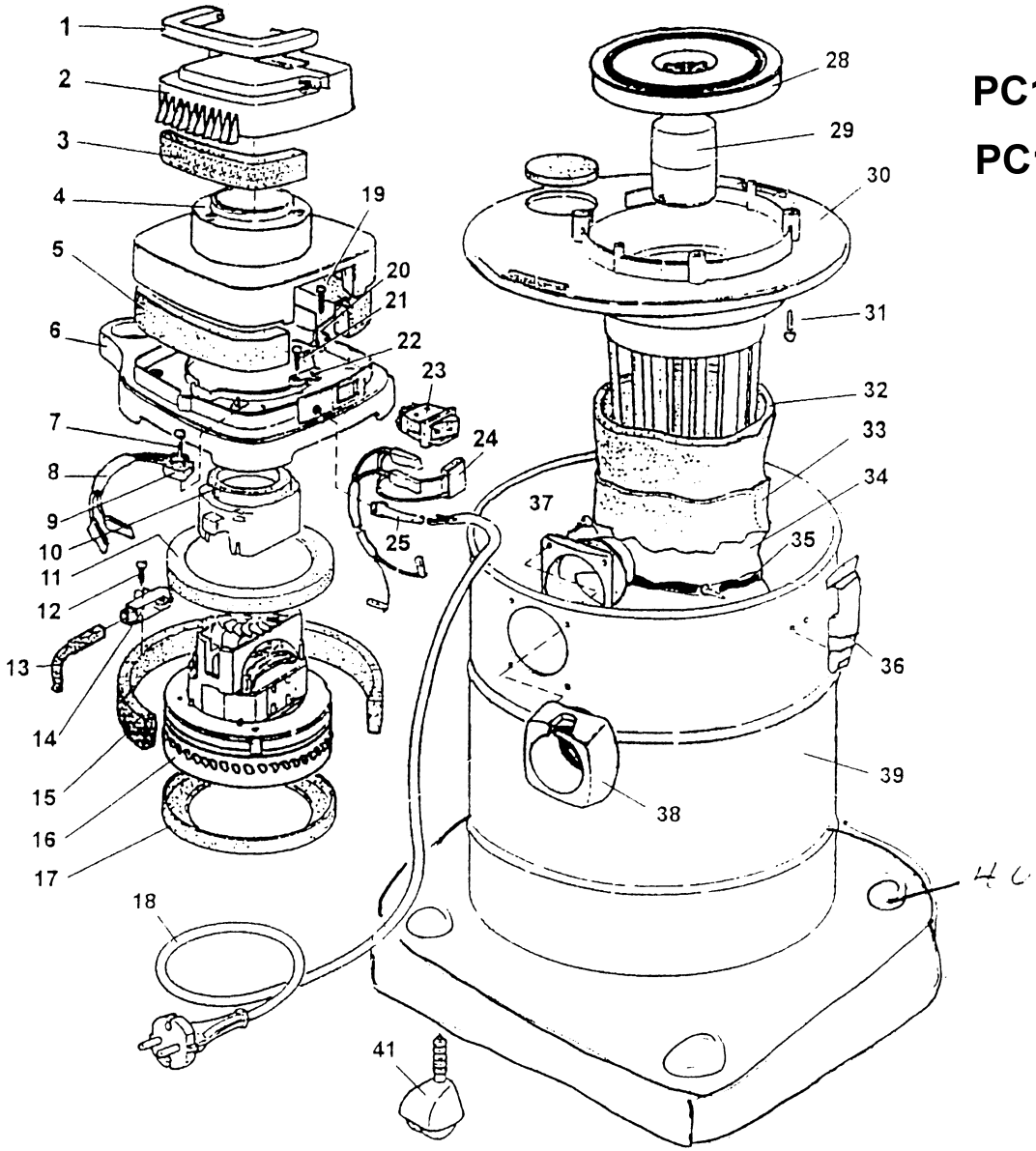


PC113  
PC115



\* OPTION

## Sheet7

POS	PART NUMBER	DESCRIPTION
1-31	PC113/MA	MOTOR ASSEMBLY
1-31	PC115/MA	MOTOR ASSEMBLY
32	513/FAP00003	FOAM FILTER
33	VAC/02	CLOTH FILTER
34	VAC/05	PAPER FILTER BAGS
35	513/PPL00021	ELASTIC FILTER BAND
36	513/PPL01005	BIN CLIP
37	513/PPL00023	HOSE OUTLET, INTERNAL
38	513/PPL00022	HOSE OUTLET, EXTERNAL
39	513/CME00001	PLASTIC BIN 20litres
40	513/PPL00027	BASE/ACCESSORIES HOLDER
41	513/PPL00028	CASTOR WHEEL
42	513/PPL03004	HOSE 1.5mm (Ø 35mm )
43	513/PPL00055	HOSE ELBOW
44	513/PPL00053	CREVICE TOOL (Ø 35mm)
45	513/PPL00051	EXTENSION TUBE (Ø 35mm)
46	513/PPL00052	SMALL NOZZLE (Ø 35mm)
47	513/PPL00057	LARGE NOZZLE (Ø 35mm)
48	513/PPL00039	BRUSH INSERT FOR LARGE NOZZLE
49	513/PPL00038	LIQUIDS INSERT FOR LARGE NOZZLE