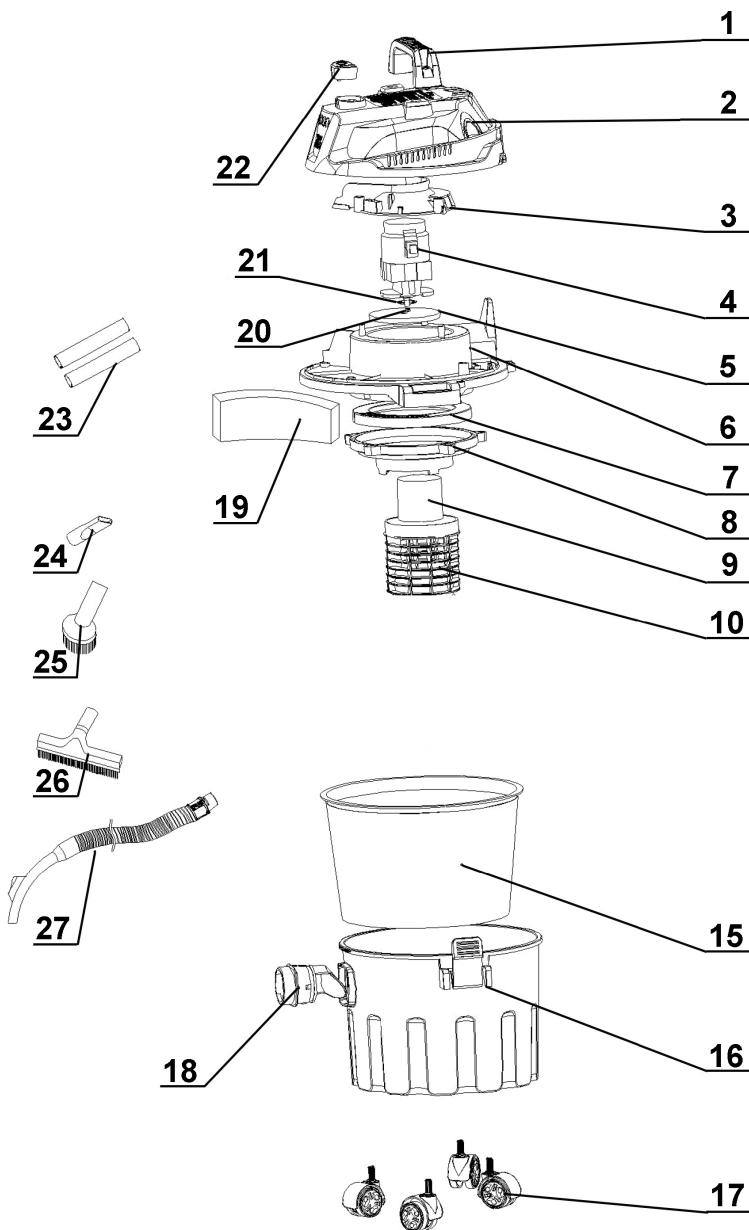




Parts Information:
Vacuum Cleaner Wet & Dry 10ltr
1000W/230V
Model No: PC102 & PC102HV



Item	Part No.	Description
1	PC102.01	TOP HANDLE (PC102 only)
--	PC102HV.01	TOP HANDLE (HI-VIS) (PC102HV only)
2	PC102.02	TOP COVER
3	PC102.03	MOTOR COVER
4	PC102.04	MOTOR 1000W
5	PC102.05	MOTOR VANE
6	PC102.06	MIDDLE COVER
7	PC102.07	MOTOR PLATE
8	PC102.08	MOTOR BASE
9	PC102.09	SAFETY VALVE
10	PC102.10	MOTOR BASKET
15	PC102CF	WASHABLE CLOTH FILTER FOR PC102/ PC102HV
16	PC102.16	PLASTIC TANK (PC102 only)
--	PC102HV.16	PLASTIC TANK (HI-VIS) (PC102HV only)
17	PC102.17	UNIVERSAL WHEEL
18	PC102.18	AIR INET CONNECTION
19	PC102.19	SILENCER FOAM
20	PC102.20	SCREW FOR MOTOR
21	PC102.21	GASKET
22	PC102.22	POWER SWITCH (PC102 only)
--	PC102HV.32	POWER SWITCH (HI-VIS) (PC102HV only)
23	PC102.23	EXTENSION TUBE (PLASTIC)
24	PC102.24	CREVICE NOZZLE
25	PC102.25	ROUND BRUSH
26	PC102.26	FLOOR BRUSH
27	PC102.27	SUCTION HOSE ASSEMBLY

NOTE: It is our policy to continually improve products and as such we reserve the right to alter data, specifications and component parts without prior notice.

IMPORTANT: No liability is accepted for incorrect use of product.

WARRANTY: Guarantee is 12 months from purchase date, proof of which will be required for any claim.

Sealey Group, Kempson Way, Suffolk Business Park, Bury St Edmunds, Suffolk. IP32 7AR



01284 757500



01284 703534



sales@sealey.co.uk



www.sealey.co.uk