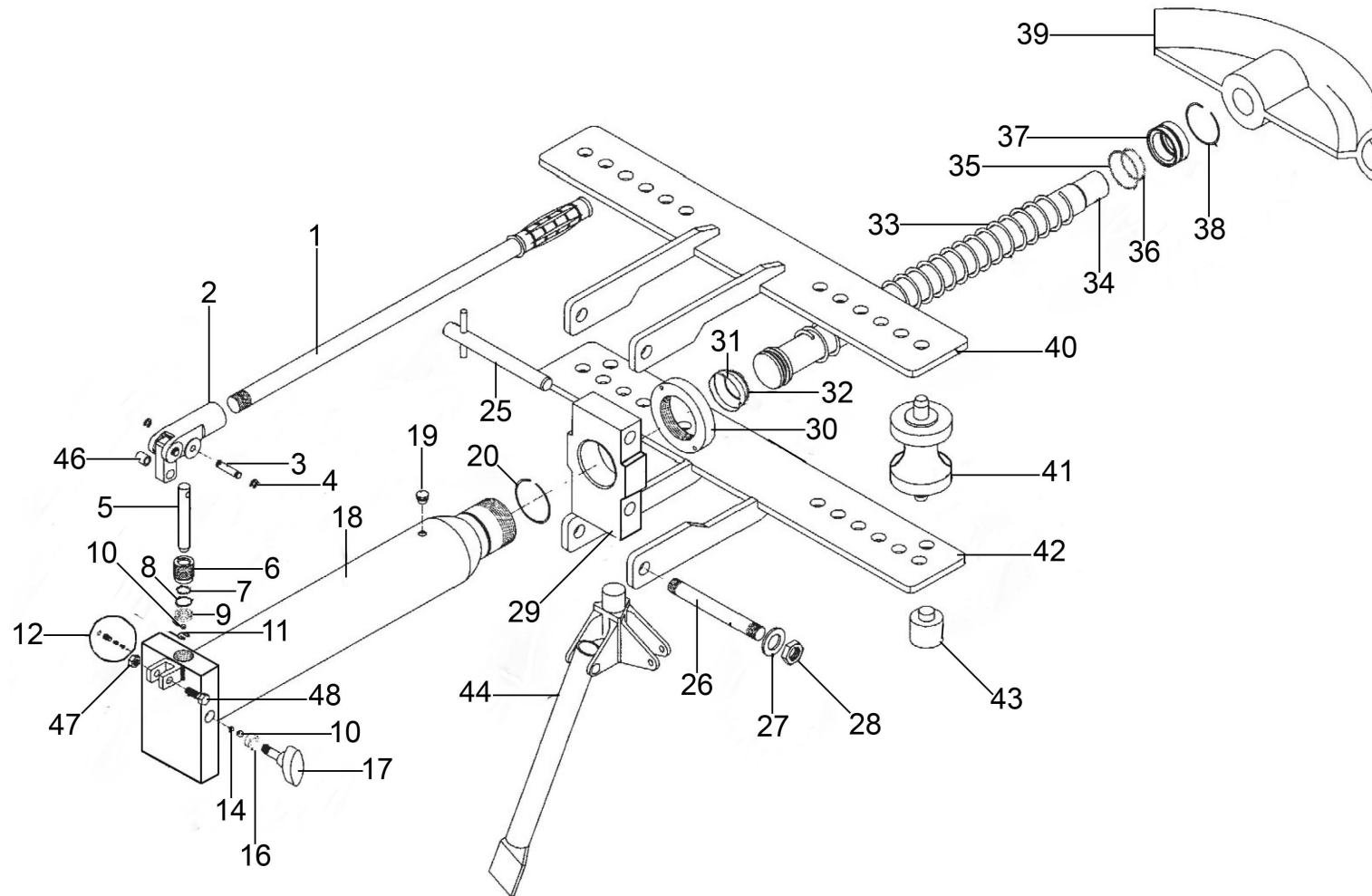




Parts Information:  
**Industrial Hydraulic Pipe Bender with Stand 15tonne**  
**Model No: PBS91.V2**



**NOTE:** It is our policy to continually improve products and as such we reserve the right to alter data, specifications and component parts without prior notice.

There may be alternative versions of this product, please contact us should you require this information.

**IMPORTANT:** No liability is accepted for incorrect use of product. Spare parts must be fitted by a competent person

**WARRANTY:** Guarantee is 12 months from purchase date, proof of which will be required for any claim.

Sealey Group, Kempson Way, Suffolk Business Park, Bury St Edmunds, Suffolk. IP32 7AR



01284 757500



01284 703534



sales@sealey.co.uk



www.sealey.co.uk



Parts Information:  
**Industrial Hydraulic Pipe Bender with  
Stand 15tonne  
Model No: PBS91.V2**

Item	Part No.	Description
1	PBS91C/01	Handle
2	PBS91C/02	Handle Socket
3	PH-5/1344	Axle
4	MB-22-A/1286	E-Clip
5	PBS91C/05	Piston
6	PBS91C/06	Pump Cylinder
7	PBS91C/07	O-Ring
8	PBS91C/08	O-Ring
9	PBS91C/09	Seal
10	SB-8.0	Steel Ball
11	PBS91C/11	Spring
12	MG-2/C9	Safety Valve
14	SB-5.6	Steel Ball
16	MG-2/1130	Rubber Seal
17	YK50FM/03	Knob, Release Valve
18	PBS91C/18	Hydraulic Unit
19	ME-12001/1139	Filler Plug
20	PBS91C/20	Ring
25	PBS91C/25	Pivot Pin, Axle
26	PBS91C/26	Pin, Axle
27	FWM18.S	Flat Washer M18
28	PBS91C/28	Nut
29	PBS91C/29	Frame
30	PBS91C/30	Washer

Item	Part No.	Description
31	PBS91C/31	Ring
32	PBS91C/32	O-Ring
33	PBS91C/33	Spring
34	PBS91C/34	Main Piston
35	PBS91C/35	O-Ring
36	YK10BM/28	Seal
37	PBS91C/37	Piston Guide
38	MG-15/1361	Ring
39	PBS91C/39A	Die, 1/2"
40	PBS91C/40	Plate, Upper
41	PBS91C/41	Roller
42	PBS91C/42	Plate, Lower
43	PBS91C/43	Foot
44	PBS91C/44	Tripod
46	PBS91C/46	Bushing
47	EF-1.5/1318	Nut
48	PBS91C/48	Screw
--	PBS91C/39B	Die, 3/4" (Not Shown)
--	PBS91C/39C	Die, 1" (Not Shown)
--	PBS91C/39D	Die, 1-1/4" (Not Shown)
--	PBS91C/39E	Die, 1-1/2" (Not Shown)
--	PBS91C/39F	Die, 2" (Not Shown)
--	PBS91C/RK	Repair Kit (Not Shown)

**NOTE:** It is our policy to continually improve products and as such we reserve the right to alter data, specifications and component parts without prior notice. There may be alternative versions of this product, please contact us should you require this information.

**IMPORTANT:** No liability is accepted for incorrect use of product. Spare parts must be fitted by a competent person

**WARRANTY:** Guarantee is 12 months from purchase date, proof of which will be required for any claim.

**Sealey Group**, Kempson Way, Suffolk Business Park, Bury St Edmunds, Suffolk. IP32 7AR



01284 757500



01284 703534



sales@sealey.co.uk



www.sealey.co.uk