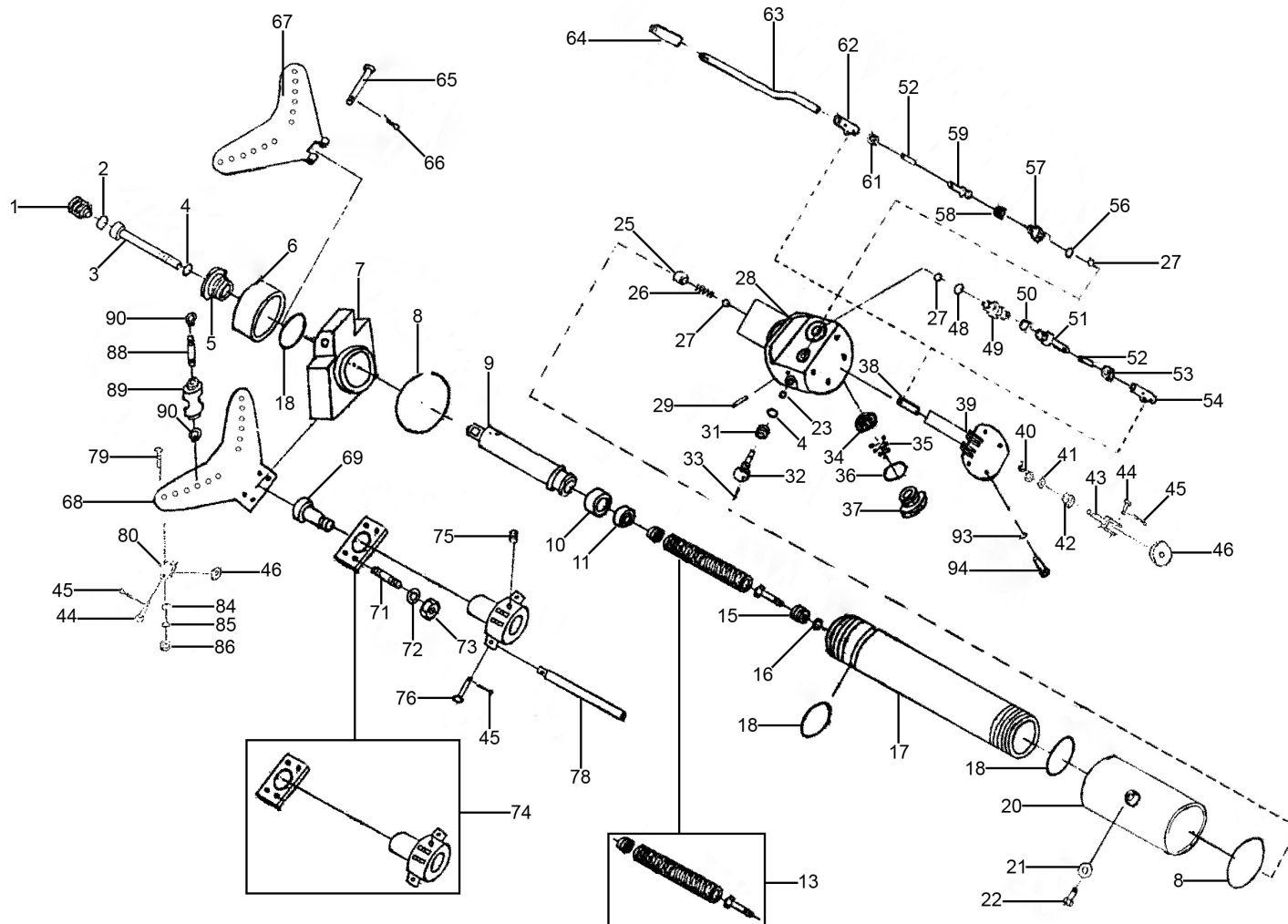




# Parts Information: Industrial Hydraulic Pipe Bender with Stand 9tonne Model No: PBS90



**NOTE:** It is our policy to continually improve products and as such we reserve the right to alter data, specifications and component parts without prior notice.

There may be alternative versions of this product, please contact us should you require this information.

**IMPORTANT:** No liability is accepted for incorrect use of product. Spare parts must be fitted by a competent person

**WARRANTY:** Guarantee is 12 months from purchase date, proof of which will be required for any claim.

Sealey Group, Kempson Way, Suffolk Business Park, Bury St Edmunds, Suffolk. IP32 7AR



01284 757500



01284 703534



sales@sealey.co.uk



www.sealey.co.uk



Parts Information:  
**Industrial Hydraulic Pipe Bender with  
 Stand 9tonne  
 Model No: PBS90**

Item	Part No.	Description
1	PBS90.01	Hex Screw Pin M16 x 25mm
2	PBS90.02	Copper Washer
3	SCB8100.SB	Socket Cap Bolt M8 x 100mm Black
4	PBS90.04	O-Ring
5	PBS90.05	Nut, Large
6	PBS90.06	Ring Nut, Large
7	PBS90.07	Support
8	PBS90.08	O-Ring
9	PBS90.09	Piston, Hydraulic
10	PBS90.10	Guide Ring
11	PBS90.11	Sealing Ring
13	PBS90.13	Spring Assembly
15	PBS90.15	Nut
16	PBS90.16	Spring Washer
17	PBS90.17	Cylinder Liner
18	PBS90.18	O-Ring
20	PBS90.20	Cylinder Body
21	PBS90.21	Washer, Plastic
22	PBS90.22	Filing Screw
23	SB-7.0	Steel Ball
25	PBS90.25	Retainer
26	PBS90.26	Spring
27	SB-6.0	Steel Ball
28	PBS90.28	Back Support
29	PBS90.29	Pin
31	PBS90.31	Screw
32	PBS90.32	Return Knob
33	PBS90.33	Pin
34	PBS90.34	Filter
35	PBS90.35	Spring Conical
36	PBS90.36	O-Ring
37	PBS90.37	Screw Cap
38	PBS90.38	Pin, Plate
39	PBS90.39	Cap, Rear
40	PBS90.40	Ring
41	FWM10.S	Flat Washer M10
42	PBS90.42	Screw
43	PBS90.43	fork, Front Wheel
44	PBS90.44	Axle
45	PBS90.45	Pin
46	PBS90.46	Wheel
48	PBS90.48	O-Ring
49	PBS90.49	Pump, Low Pressure

Item	Part No.	Description
50	PBS90.50	Locking Seal
51	PBS90.51	Piston, Large
52	PBS90.52	Pin
53	PBS90.53	Nut
54	PBS90.54	Bar Support
56	PBS90.56	O-Ring
57	PBS90.57	Pump, High Pressure
58	PBS90.58	Sealing Ring
59	PBS90.59	Piston, Small
61	PBS90.61	Nut
62	PBS90.62	Handle Support
63	PBS90.63	Handle
64	PBS90.64	Grip
65	PBS90.65	Plate, Axle
66	PBS90.66	Pin
67	PBS90.67	Upper Plate
68	PBS90.68	Lower Plate
69	PBS90.69	Axle
71	PBS90.71	Stud
72	FWM12.SB	Flat Washer M12 Black
73	SN12.SB	Steel Nut M12 Black
74	PBS90.74	Leg Support (c/w Plate)
75	PBS90.75	Stud
76	PBS90.76	Axle, Leg
78	PBS90.78	Leg
79	PBS90.79	Screw M6 x 20mm
80	PBS90.80	Wheel Fork
84	FWM6.S	Flat Washer M6
85	PBS90.85	Spring Washer M6
86	PBS90.86	Hex Screw M6
88	PBS90.88	Axle, Support Roller
89	PBS90.89	Support Roller
90	SM353CEV2.048	Circlip
93	PBS90.93	Spring Washer M8
94	PBS90.94	Screw M8 x 25mm
--	PBS90.92	Washer M8 (Not Shown)
--	PBS90.95	Bending Die 1/2" (Not Shown)
--	PBS90.96	Bending Die 3/4" (Not Shown)
--	PBS90.97	Bending Die 1" (Not Shown)
--	PBS90.98	Bending Die 1-1/4" (Not Shown)
--	PBS90.99	Bending Die 1-1/2" (Not Shown)
--	PBS90.100	Bending Die 2" (Not Shown)
--	PBS90.103	Hydraulic Unit (c/w Handle)(Not Shown)

**NOTE:** It is our policy to continually improve products and as such we reserve the right to alter data, specifications and component parts without prior notice. There may be alternative versions of this product, please contact us should you require this information.

**IMPORTANT:** No liability is accepted for incorrect use of product. Spare parts must be fitted by a competent person

**WARRANTY:** Guarantee is 12 months from purchase date, proof of which will be required for any claim.

**Sealey Group**, Kempson Way, Suffolk Business Park, Bury St Edmunds, Suffolk. IP32 7AR



01284 757500



01284 703534



sales@sealey.co.uk



www.sealey.co.uk