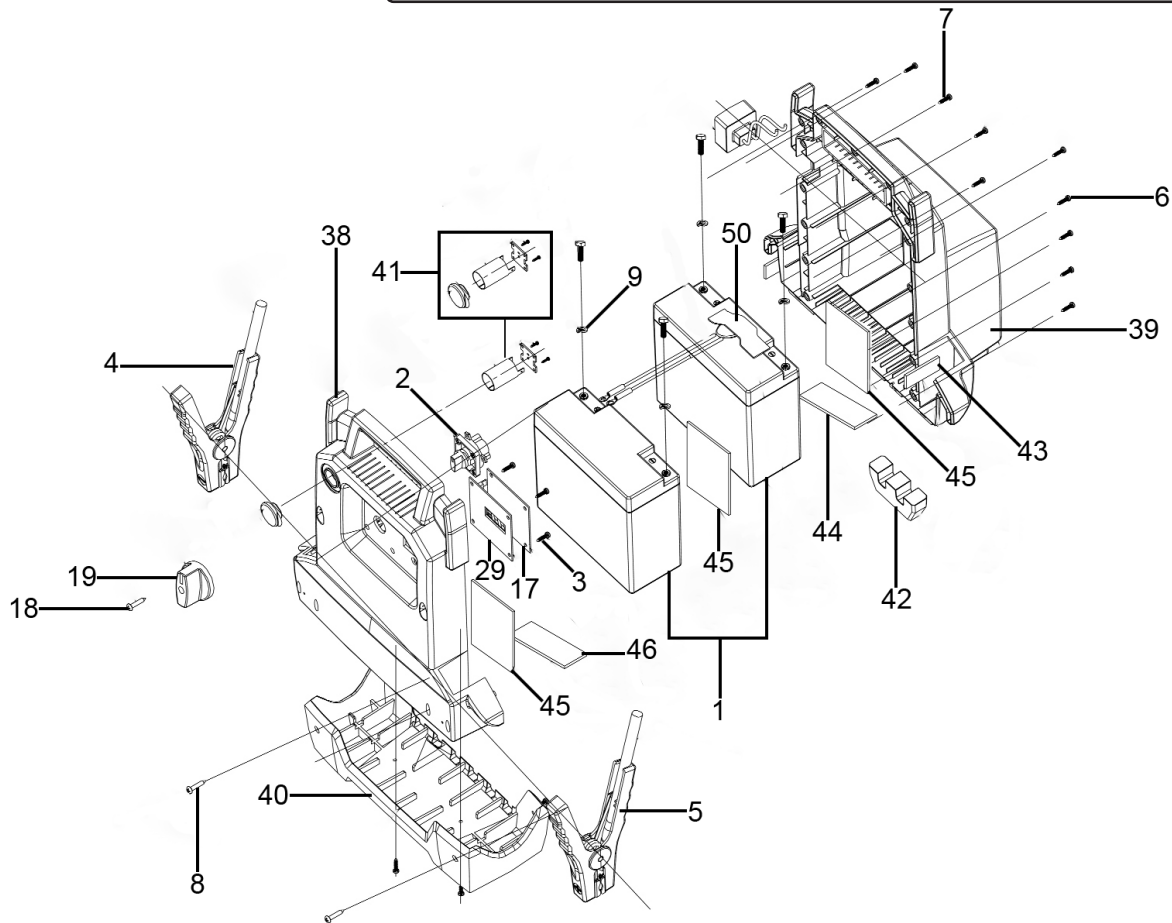




Parts Information:
RoadStart® Emergency Jump Starter
12/24V 4400 Peak Amps DEKRA Approved
Model No: PBI4424S



Item	Part No.	Description
1	RS21224.20	Battery
2	RS21224.01	Switch, Voltage Selection
3	PBI4424S.03	Screw, Phillips M3.5 x 6mm
4	PBI4424S.04	Cable & Clamp, Positive (Red)
5	RS21224.03	Cable & Clamp, Negative (Black)
6	PBI4424S.06	Screw M4 x 25mm
7	PBI4424S.07	Screw M4 x 16mm
8	PBI4424S.08	Screw M3.5 x 12mm
9	PBI4424S.09	Spring Washer
17	PBI4424S.17	Insulator
18	PBI4424S.18	Screw M3 x 12mm
19	RS21224.06	Knob, Rotary Switch
29	RS21203.22	PCB (c/w Fan)
38	RS21224.12	Panel, Front
39	RS21224.13	Cover, Rear
40	RS21224.14	Bumper Base
41	RS21224.21	DC Adaptor Assembly
42	PBI4424S.42	Rubber Bumper
43	RS21224.17	Tape

Item	Part No.	Description
44	PBI4424S.44	Tape
45	RS21224.18	Tape
46	PBI4424S.46	Tape
50	PBI4424S.50	Tape
--	PBI4424S.14	Label, Faceplate (Not Shown)
--	PBI4424S.15	Label, Logo (Not Shown)
--	PBI4424S.51	Fuse Holder (Not Shown)
--	PBI4424S.52	Repair Kit, Battery Clamp (Not Shown)
--	PBI4424S.53	Resistor Assembly (Not Shown)
--	PBI4424S.54	Plug, 3 Pin (Not Shown)
--	RS21224.08	Battery Cable 3.5" (Not Shown)
--	RS21224.09	Battery Cable 7.5" (Not Shown)
--	RS21224.10	Battery Cable 4.5" (Not Shown)
--	RS21224.07	Fuse (Not Shown)
--	PBI4424S.L	Label, Logo (Not Shown)
--	PBI4424S.L2	Label, Wiring (Not Shown)
--	PBI4424S.L3	Label, DEKRA (Not Shown)
--	PBI.C	Charger (Not Shown)
--	PBI4424S.59	Fusible Link Cover, Plastic (Not Shown)

NOTE: It is our policy to continually improve products and as such we reserve the right to alter data, specifications and component parts without prior notice. There may be alternative versions of this product, please contact us should you require this information.

IMPORTANT: No liability is accepted for incorrect use of product. Spare parts must be fitted by a competent person

WARRANTY: Guarantee is 12 months from purchase date, proof of which will be required for any claim.

Sealey Group, Kempson Way, Suffolk Business Park, Bury St Edmunds, Suffolk. IP32 7AR



01284 757500



01284 703534



sales@sealey.co.uk



www.sealey.co.uk